

[www.blackanddecker.eu](http://www.blackanddecker.eu)

BEHTS301  
BEHTS401  
BEHTS451  
BEHTS501

EN

DE

FR

IT

NL

ES

PT

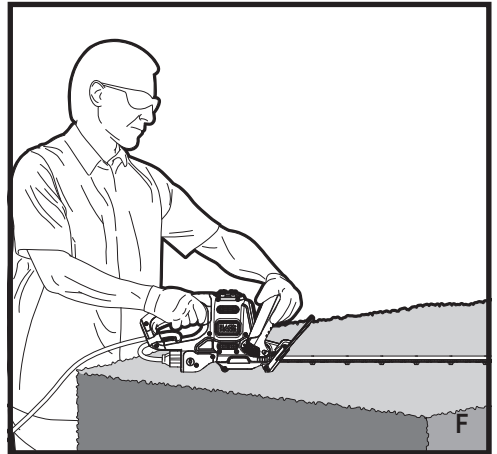
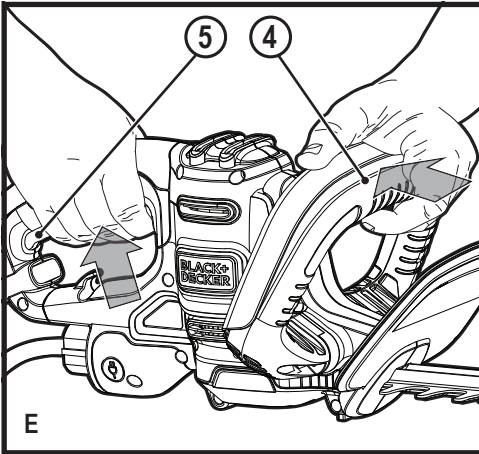
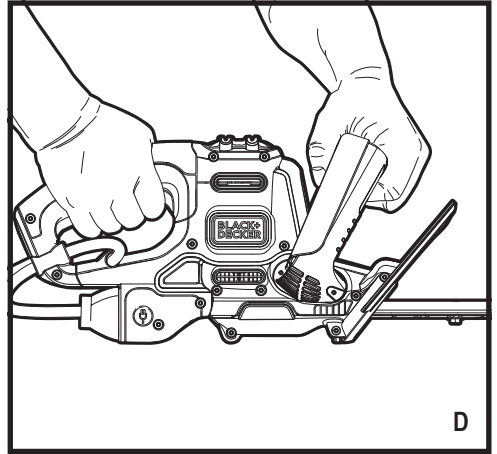
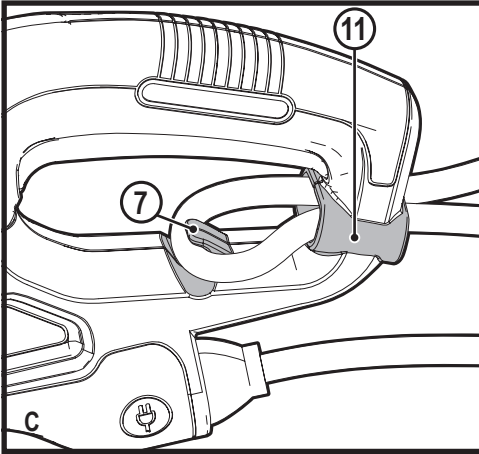
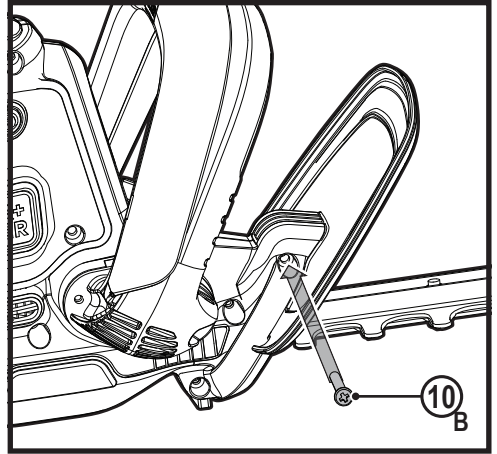
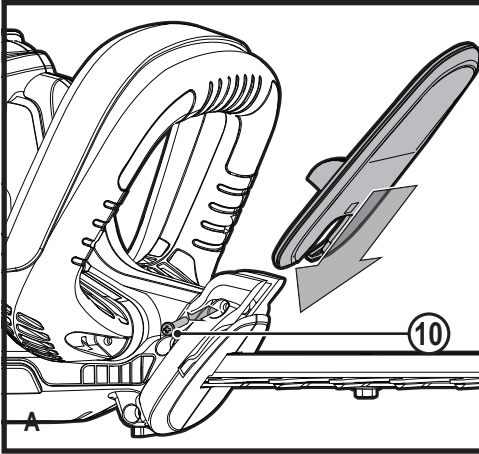
SV

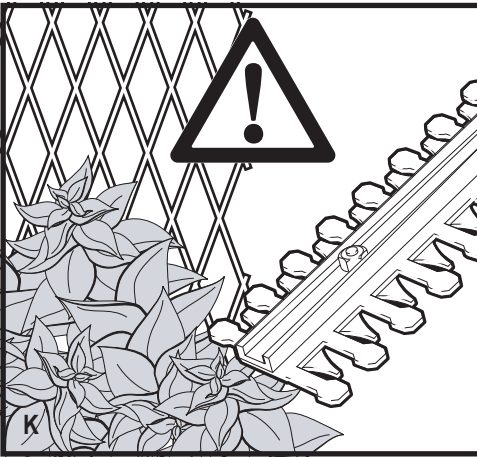
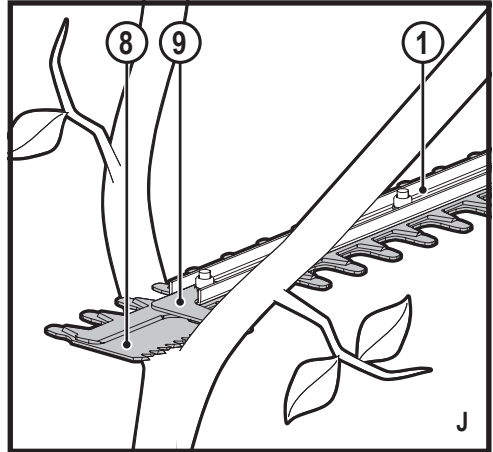
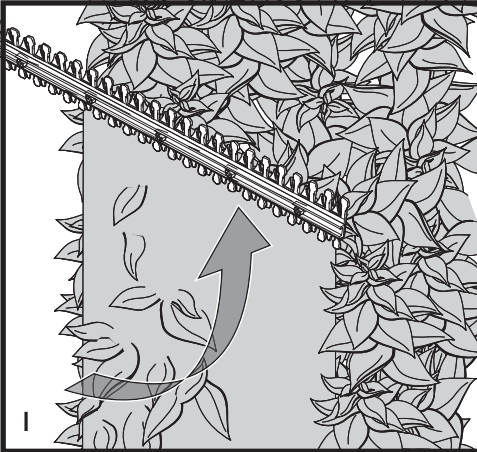
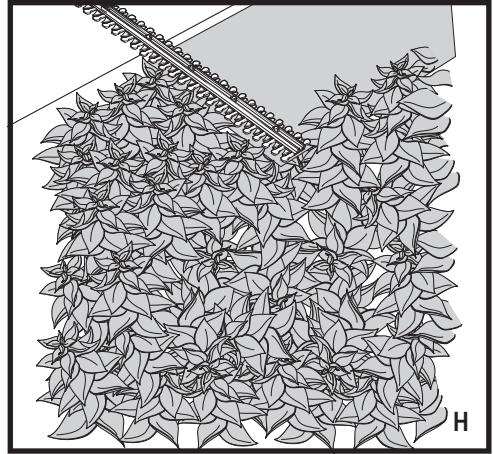
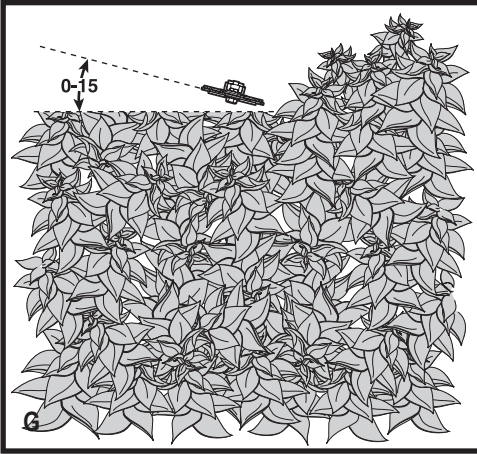
NO

DK

FI

EL





### Intended use

Your BLACK+DECKER™ BEHTS301, BEHTS401, BEHTS451, BEHTS501 hedgetrimmers have been designed for trimming hedges, shrubs and brambles. These tools are intended for consumer use only.

### Safety instructions

#### General power tool safety warnings



**Warning!** Read all safety warnings and all instructions. Failure to follow the warnings and instructions listed below may result in electric shock, fire and/or serious injury.

#### Save all warnings and instructions for future reference.

The term "power tool" in the warnings refers to your mains operated (corded) power tool or battery operated (cordless) power tool.

1. **Work area safety**
  - a. **Keep work area clean and well lit.** Cluttered or dark areas invite accidents.
  - b. **Do not operate power tools in explosive atmospheres, such as in the presence of flammable liquids, gases or dust.** Power tools create sparks which may ignite the dust or fumes.
  - c. **Keep children and bystanders away while operating a power tool.** Distractions can cause you to lose control.
2. **Electrical safety**
  - a. **Power tool plugs must match the outlet. Never modify the plug in any way. Do not use any adapter plugs with earthed (grounded) power tools.** Unmodified plugs and matching outlets will reduce risk of electric shock.
  - b. **Avoid body contact with earthed or grounded surfaces such as pipes, radiators, ranges and refrigerators.** There is an increased risk of electric shock if your body is earthed or grounded.
  - c. **Do not expose power tools to rain or wet conditions.** Water entering a power tool will increase the risk of electric shock.
  - d. **Do not abuse the cord. Never use the cord for carrying, pulling or unplugging the power tool. Keep cord away from heat, oil, sharp edges or moving parts.** Damaged or entangled cords increase the risk of electric shock.
  - e. **When operating a power tool outdoors, use an extension cord suitable for outdoor use.** Use of a cord suitable for outdoor use reduces the risk of electric shock.
  - f. **If operating a power tool in a damp location is unavoidable, use a residual current device (RCD) protected supply.** Use of an RCD reduces the risk of electric shock.
3. **Personal safety**
  - a. **Stay alert, watch what you are doing and use common sense when operating a power tool. Do not use a power tool while you are tired or under the influence of drugs, alcohol or medication.** A moment of inattention while operating power tools may result in serious personal injury.
  - b. **Use personal protective equipment. Always wear eye protection.** Protective equipment such as dust mask, non-skid safety shoes, hard hat, or hearing protection used for appropriate conditions will reduce personal injuries.
  - c. **Prevent unintentional starting. Ensure the switch is in the off-position before connecting to power source and/or battery pack, picking up or carrying the tool.** Carrying power tools with your finger on the switch or energising power tools that have the switch on invites accidents.
  - d. **Remove any adjusting key or wrench before turning the power tool on.** A wrench or a key left attached to a rotating part of the power tool may result in personal injury.
  - e. **Do not overreach. Keep proper footing and balance at all times.** This enables better control of the power tool in unexpected situations.
  - f. **Dress properly. Do not wear loose clothing or jewellery. Keep your hair, clothing and gloves away from moving parts.** Loose clothes, jewellery or long hair can be caught in moving parts.
  - g. **If devices are provided for the connection of dust extraction and collection facilities, ensure these are connected and properly used.** Use of dust collection can reduce dust-related hazards.
4. **Power tool use and care**
  - a. **Do not force the power tool. Use the correct power tool for your application.** The correct power tool will do the job better and safer at the rate for which it was designed.
  - b. **Do not use the power tool if the switch does not turn it on and off.** Any power tool that cannot be controlled with the switch is dangerous and must be repaired.
  - c. **Disconnect the plug from the power source and/or the battery pack from the power tool before making any adjustments, changing accessories, or storing power tools.** Such preventive safety measures reduce the risk of starting the power tool accidentally.
  - d. **Store idle power tools out of the reach of children and do not allow persons unfamiliar with the power tool or these instructions to operate the power tool.** Power tools are dangerous in the hands of untrained users.
  - e. **Maintain power tools. Check for misalignment or binding of moving parts, breakage of parts and any other condition that may affect the power tools operation. If damaged, have the power tool repaired before use.** Many accidents are caused by poorly maintained power tools.
  - f. **Keep cutting tools sharp and clean.** Properly maintained cutting tools with sharp cutting edges are less likely to bind and are easier to control.
  - g. **Use the power tool, accessories and tool bits etc. in accordance with these instructions, taking into account the working conditions and the work to be performed.** Use of the power tool for operations different from those intended could result in a hazardous situation.
5. **Service**
  - a. **Have your power tool serviced by a qualified repair person using only identical replacement parts.** This will ensure that the safety of the power tool is maintained.

## Additional power tool safety warnings



**Warning!** Additional safety warnings for hedge trimmers

- ◆ **Keep all parts of the body away from the cutter blade. Do not remove cut material or hold material to be cut when blades are moving. Make sure the switch is off when clearing jammed material.** A moment of inattention while operating the tool can result in serious personal injury.
- ◆ **Carry the hedge trimmer by the handle with the cutter blade stopped. When transporting or storing the hedge trimmer always fit the cutting device cover.** Proper handling of the hedge trimmer will reduce possible personal injury from the cutter blades.
- ◆ **Hold the power tool by insulated gripping surfaces only, because the cutter blade may contact hidden wiring or its own cord.** Cutter blades contacting a "live" wire may make exposed metal parts of the power tool "live" and could give the operator an electric shock.
- ◆ **Keep cable away from cutting area.** During operation the cable can be hidden in shrubs and can be accidentally cut the blades.
- ◆ The intended use is described in this instruction manual. The use of any accessory or attachment or performance of any operation with this tool other than those recommended in this instruction manual can present a risk of personal injury and/or damage to property.
- ◆ If you have not used a hedge trimmer before, preferably seek practical instruction by an experienced user in addition to studying this manual.
- ◆ Never touch the blades while the tool is running.
- ◆ Never attempt to force the blades to come to a standstill.
- ◆ Do not put the tool down until the blades have come to a complete standstill.
- ◆ Regularly check the blades for damage and wear. Do not use the tool when the blades are damaged.
- ◆ Take care to avoid hard objects (e.g. metal wire, railings) when trimming. Should you accidentally hit any such object, immediately switch the tool off and check for any damage.
- ◆ Should the tool start to vibrate abnormally, immediately switch it off and disconnect it from the mains supply then check for any damage.
- ◆ If the tool stalls, immediately switch it off. Disconnect it from the mains supply before attempting to remove any obstructions.
- ◆ After use, place the blade sheath supplied over the blades. Store the tool, making sure that the blade is not exposed.

- ◆ Always ensure that all guards are fitted when using the tool. Never attempt to use an incomplete tool or a tool with unauthorised modifications.
- ◆ Never allow children to use the tool.
- ◆ Be aware of falling debris when cutting the higher sides of a hedge.
- ◆ Always hold the tool with both hands and by the handles provided.

## Residual risks

Additional residual risks may arise when using the tool which may not be included in the enclosed safety warnings. These risks can arise from misuse, prolonged use etc.

Even with the application of the relevant safety regulations and the implementation of safety devices, certain residual risks can not be avoided. These include:

- ◆ Injuries caused by touching any rotating/moving parts.
- ◆ Injuries caused when changing any parts, blades or accessories.
- ◆ Injuries caused by prolonged use of a tool. When using any tool for prolonged periods ensure you take regular breaks.
- ◆ Impairment of hearing.
- ◆ Health hazards caused by breathing dust developed when using your tool (example:- working with wood, especially oak, beech and MDF.)

## Vibration

The declared vibration emission values stated in the technical data and the declaration of conformity have been measured in accordance with a standard test method provided by EN 60745 and may be used for comparing one tool with another. The declared vibration emission value may also be used in a preliminary assessment of exposure.

**Warning!** The vibration emission value during actual use of the power tool can differ from the declared value depending on the ways in which the tool is used. The vibration level may increase above the level stated.

When assessing vibration exposure to determine safety measures required by 2002/44/EC to protect persons regularly using power tools in employment, an estimation of vibration exposure should consider, the actual conditions of use and the way the tool is used, including taking account of all parts of the operating cycle such as the times when the tool is switched off and when it is running idle in addition to the trigger time.

## Labels on tool

The following pictograms are shown on the tool along with the date code:



**Warning!** To reduce the risk of injury, the user must read the instruction manual.



Wear safety glasses or goggles when operating this tool.



Wear ear protection when operating this tool.



Immediately disconnect the cable from the mains if it is damaged or cut.



Do not expose the tool to rain or high humidity.



Directive 2000/14/EC guaranteed sound power.

### Electrical safety



This tool is double insulated; therefore no earth wire is required. Always check that the power supply corresponds to the voltage on the rating plate.

- ◆ If the supply cord is damaged, it must be replaced by the manufacturer or an authorised BLACK+DECKER Service Centre in order to avoid a hazard.
- ◆ When using the tool outdoors, only use extension cables intended for outdoor use. A suitable rated BLACK+DECKER extension cable of up to 30 m can be used without loss of power.
- ◆ Electric safety can be further improved by using a high-sensitivity 30 mA residual current device (RCD).

### Features

This tool includes some or all of the following features.

1. Blade
2. Guard
3. Auxiliary handle
4. Lock off button
5. Trigger switch
6. Switch handle
7. Cord retainer
8. Sawblade
9. Sawblade shoe

### Assembly

**Warning!** Before assembly, make sure that the tool is switched off and unplugged and that the blade sheath is fitted over the blades.

#### Attaching guard to trimmer (fig. A, B)

The trimmer is shipped with the guard unattached to the trimmer. To attach the guard:

- ◆ Remove guard retaining screw 10 with a Phillips screwdriver (not supplied).

- ◆ Position the guard in place as shown in Fig. A. Ensuring the guard slots into the grooves on the unit.
- ◆ Insert the guard retaining screw 10 into the opening on the side of the guard and tighten securely as shown in Fig. B.

**Warning!** Only use with handle and guard properly assembled to hedge trimmer. The use of the hedge trimmer without the proper guard or handle provided may result in serious personal injury.

#### Attaching extension cord to trimmer (fig. C)

A cord retainer (7) is incorporated into the rear of the switch handle (6).

- ◆ Near the end of the extension cord, fold the extension cord to create a loop.
- ◆ Feed the loop into the cord retainer housing 11 as shown in Fig. C.
- ◆ Hook the loop onto the cord retainer 7 so it rests in the cord retainer.
- ◆ Plug the extension cord into the unit.

#### Correct hand position (Fig. D)

Always hold the trimmer, as shown in the illustrations in this manual, with one hand on the switch handle and one hand on the auxiliary handle (Fig. D). Never hold the unit by the blade guard.

### Use

**Warning!** Let the tool work at its own pace. Do not overload.

#### Switching on and off

**Note:** For your safety, this tool is equipped with a double switching system. This system prevents starting the tool inadvertently and will only allow operation while holding the tool with both hands.

#### Switching on (fig. E)

- ◆ To turn the tool "ON", you must squeeze both the auxiliary handle switch (4) backward and squeeze the main handle trigger switch (5). To keep the unit running you must continue to squeeze both switches. To turn the unit off, release either the auxiliary handle switch or trigger switch.

**Warning!** Never attempt to lock a switch in the ON position.

- ◆ Regularly oil the blades.

#### Guidelines for trimming

#### Extension cord (fig. F)

- ◆ Always keep extension cord behind trimmer and away from the trimming operation as shown in figure F. Never drape it over a hedge being trimmed. If you cut or damage the cord, unplug it at the electrical outlet immediately, before inspecting or repairing cord.

## Working position

- ◆ Maintain proper footing and balance and do not over-reach.
- ◆ Wear safety goggles, non-skid footwear and rubber gloves when trimming.
- ◆ Hold the tool firmly in both hands and turn the tool ON. Always hold the trimmer, as shown in Fig. D, with one hand on the switch handle and one hand on the auxiliary handle. Never hold the tool by the blade guard.

## Trimming new growth (fig.G)

- ◆ A wide, sweeping motion, feeding the blade teeth through the twigs is most effective. A slight downward tilt of the blade, in the direction of motion gives the best cutting.

**Warning!** Do not use trimmer for cutting stems greater than 16 mm. Use the trimmer only for cutting normal shrubbery found around houses and buildings.

## Level hedges (fig.H)

- ◆ To obtain exceptionally level hedges, a piece of string can be stretched along the length of the hedge as a guide.

## Side trimming hedges (fig.I)

- ◆ Begin at the bottom and sweep up.

## Sawblade (fig.J)

- ◆ For branches too large for the blade (1) to cut, use the sawblade (8) . Position the sawblade as close to the bottom of the branch as possible. Place the sawblade shoe (9) against the branch. Turn the hedge trimmer on as described above, allowing the tool to work at its own pace until the branch is fully cut.

The cutting blades are made from high quality, hardened steel and with normal usage, they will not require resharpening. However, if you accidentally hit a wire fence (Fig. L), stones, glass or other hard objects, you may put a nick in the blade. There is no need to remove this nick as long as it does not interfere with the movement of the blade. If it does interfere, unplug the cord and use a fine toothed file or sharpening stone to remove the nick. If you drop the trimmer, carefully inspect it for damage. If the blade is bent, housing cracked, or handles broken or if you see any other condition that may affect the trimmer's operation contact your local BLACK+DECKER Service Center for repairs before putting it back into use. Fertilizers and other garden chemicals contain agents which greatly accelerate the corrosion of metals. Do not store the unit on or adjacent to fertilizers or chemicals.

## Accessories

The performance of your tool depends on the accessory used. BLACK+DECKER accessories are engineered to high quality standards and designed to enhance the performance of your

tool. By using these accessories you will get the very best from your tool.

## Maintenance

Your BLACK+DECKER corded/cordless appliance/tool has been designed to operate over a long period of time with a minimum of maintenance. Continuous satisfactory operation depends upon proper tool care and regular cleaning. Lubrication oil is available from your BLACK+DECKER dealer (cat. no. A6102-XJ).

**Warning!** Before performing any maintenance on corded/cordless power tools:

- ◆ Switch off and unplug the appliance/tool.
- ◆ Or switch off and remove the battery from the appliance/tool if the appliance/tool has a separate battery pack.
- ◆ Or run the battery down completely if it is integral and then switch off.
- ◆ Unplug the charger before cleaning it. Your charger does not require any maintenance apart from regular cleaning.
- ◆ Regularly clean the ventilation slots in your appliance/tool/charger using a soft brush or dry cloth.
- ◆ Regularly clean the motor housing using a damp cloth. Do not use any abrasive or solvent-based cleaner.
- ◆ After use, carefully clean the blades. After cleaning, apply a film of light machine oil to prevent the blades from rusting.

## Mains plug replacement (U.K. & Ireland only)

If a new mains plug needs to be fitted:

- ◆ Safely dispose of the old plug.
- ◆ Connect the brown lead to the live terminal in the new plug.
- ◆ Connect the blue lead to the neutral terminal.

**Warning!** No connection is to be made to the earth terminal. Follow the fitting instructions supplied with good quality plugs. Recommended fuse: 5 A.

## Protecting the environment



Separate collection. Products and batteries marked with this symbol must not be disposed of with normal household waste.

Products and batteries contain materials that can be recovered or recycled reducing the demand for raw materials. Please recycle electrical products and batteries according to local provisions. Further information is available at [www.2helpU.com](http://www.2helpU.com)

## Troubleshooting

Problem	Possible Cause	Possible Solution
Slow running, noisy or hot blades.	Dry, corroded blades.	Lubricate blades.
	Blades or blade support bent.	Straighten blade or blade support.
	Bent or damaged teeth.	Straighten teeth.
	Loose blade bolts.	Tighten blade bolts.
Unit will not start.	Lock off not fully operated.	Check that lock off is fully forward prior to moving main trigger.
	Cord not plugged in.	Plug cord into a working outlet.
	Circuit fuse is blown.	Replace circuit fuse. (If the product repeatedly causes the circuit fuse to blow, discontinue use immediately and have it serviced at a BLACK+DECKER service center or authorized servicer.)
	Circuit breaker is tripped.	Reset circuit breaker. (If the product repeatedly causes the circuit breaker to trip, discontinue use immediately and have it serviced at a BLACK+DECKER service center or authorized servicer.)
	Cord or switch is damaged.	Have cord or switch replaced at BLACK+DECKER Service Center or Authorized Servicer.

## Technical data

		BEHTS301 Type 1	BEHTS401 Type 1
Voltage	$V_{AC}$	230	230
Power input	W	500	500
Blade strokes (no load)	$\text{min}^{-1}$	1850	1835
Blade length	cm	50	55
Blade gap	mm	22	22
Blade brake time	s	<1	<1
Saw blade Max cut	mm	35	35
Weight	kg	2.47	2.54

		BEHTS451 Type 1	BEHTS501 Type 1
Voltage	$V_{AC}$	230	230
Power input	W	550	600
Blade strokes (no load)	$\text{min}^{-1}$	1870	1840
Blade length	cm	60	60
Blade gap	mm	25	25
Blade brake time	s	<1	<1
Saw blade Max cut	mm	35	35
Weight	kg	2.65	2.65

Vibration total values (triax vector sum) according to EN 60745:

Vibration emission value ( $a_{h,D}$ ) 4.1  $\text{m/s}^2$ , uncertainty (K) 2.1  $\text{m/s}^2$

## EC declaration of conformity

MACHINERY DIRECTIVE  
OUTDOOR NOISE DIRECTIVE



BEHTS301, BEHTS401, BEHTS451, BEHTS501 – Hedge Trimmer

Black & Decker declares that these products described under "technical data" are in compliance with:  
EN 60745-1:2009 +A11:2010, EN 60745-2-15:2009 +A1:2010

2000/14/EC, Hedge trimmer, Annex V  
Measured sound power level ( $L_{WA}$ ) 98 dB(A)  
Uncertainty (K) 2,0 dB(A)  
Guaranteed sound power ( $L_{WA}$ ) 100 dB(A)

These products also comply with Directive  
2006/42/EC, 2014/30/EU and 2011/65/EU.

For more information, please contact Black & Decker at the following address or refer to the back of the manual.

The undersigned is responsible for compilation of the technical file and makes this declaration on behalf of Black & Decker.

A. Smith  
Technical Director  
Black & Decker Europe, 210 Bath Road, Slough,  
Berkshire, SL1 3YD  
United Kingdom  
22/01/2019

## Guarantee

Black & Decker is confident of the quality of its products and offers consumers a 24 month guarantee from the date of purchase. This guarantee is in addition to and in no way prejudices your statutory rights. The guarantee is valid within the territories of the Member States of the European Union and the European Free Trade Area.

To claim on the guarantee, the claim must be in accordance with Black & Decker Terms and Conditions and you will need to submit proof of purchase to the seller or an authorised repair agent. Terms and conditions of the Black & Decker 2 year guarantee and the location of your nearest authorised repair agent can be obtained on the Internet at [www.2helpU](http://www.2helpU).



com, or by contacting your local Black & Decker office at the address indicated in this manual.

Please visit our website [www.blackanddecker.co.uk](http://www.blackanddecker.co.uk) to register your new Black & Decker product and receive updates on new products and special offers.

## Verwendungszweck

Ihre BLACK+DECKER™ Heckenschere BEHTS301, BEHTS401, BEHTS451, BEHTS501 wurde zum Beschneiden von Hecken, Büschen und Sträuchern entwickelt. Diese Werkzeuge sind nicht für den gewerblichen Einsatz vorgesehen.

## Sicherheitshinweise

### Allgemeine Sicherheitswarnungen für das Gerät



**Warnung!** Lesen Sie alle Sicherheitswarnhinweise und alle Anweisungen. Die Nichteinhaltung der folgenden Warnungen und Anweisungen kann einen elektrischen Schlag, Brand und/oder schwere Verletzungen verursachen.

**Bewahren Sie alle Sicherheitswarnungen und Anweisungen gut auf.** Der Begriff "Gerät" bezieht sich auf netzbetriebene Geräte (mit Netzkabel) und auf akkubetriebene Geräte (ohne Netzkabel).

#### 1. Sicherheit im Arbeitsbereich

- Halten Sie Ihren Arbeitsbereich sauber und gut ausgeleuchtet.** Unaufgeräumte oder dunkle Bereiche begünstigen Unfälle.
- Betreiben Sie das Gerät nicht in Umgebungen, in denen Explosionsgefahr z. B. aufgrund von brennbaren Flüssigkeiten, Gasen oder Staub besteht.** Geräte erzeugen Funken, die den Staub oder die Dämpfe entzünden können.
- Halten Sie Kinder und andere Personen während der Benutzung eines Geräts fern.** Bei Ablenkung können Sie die Kontrolle verlieren.

#### 2. Elektrische Sicherheit

- Der Netzstecker des Geräts muss in die Steckdose passen. Ändern Sie niemals den Stecker in irgendeiner Form. Verwenden Sie keinerlei Adapterstecker an geerdeten Elektrogeräten.** Unveränderte Stecker und passende Steckdosen mindern die Gefahr eines elektrischen Schlages.
- Vermeiden Sie Körperkontakt mit geerdeten Oberflächen von Rohren, Heizungen, Herden und Kühlschränken.** Es besteht eine erhöhte Gefahr für einen elektrischen Schlag, wenn Ihr Körper geerdet ist.
- Halten Sie Geräte von Regen und Nässe fern.** Das Eindringen von Wasser in ein Gerät erhöht das Risiko eines elektrischen Schlages.
- Verwenden Sie das Kabel ordnungsgemäß. Verwenden Sie es niemals zum Tragen. Trennen Sie das Gerät nicht durch Ziehen am Kabel vom Netz. Halten Sie das Kabel fern von Hitze, Öl, scharfen Kanten oder beweglichen Teilen.** Beschädigte oder verhedderte Kabel erhöhen die Gefahr eines elektrischen Schlages.
- Verwenden Sie nur für den Außenbereich zugelassene Verlängerungskabel, wenn Sie mit dem Gerät im Freien arbeiten.** Die Verwendung eines für den Außenbereich geeigneten Verlängerungskabels verringert das Risiko eines elektrischen Schlages.
- Wenn das Gerät in einer feuchten Umgebung verwendet werden muss, schließen Sie es unbedingt an eine Steckdose mit Fehlerstromschutzschalter (FI-Schalter) an.** Ein Fehlerstromschutzschalter verringert das Risiko eines elektrischen Schlages.

#### 3. Sicherheit von Personen

- Seien Sie aufmerksam, achten Sie darauf, was Sie tun, und gehen Sie sachgerecht mit einem Gerät um. Benutzen Sie kein Gerät, wenn Sie müde sind oder unter dem Einfluss von Drogen, Alkohol oder Medikamenten stehen.** Ein Moment der Unachtsamkeit beim Betrieb eines Geräts kann zu schweren Verletzungen führen.
- Verwenden Sie eine geeignete Schutzausrüstung. Tragen Sie immer einen Augenschutz.** Das Tragen persönlicher Schutzausrüstung, wie Staubmaske, rutschfeste Sicherheitsschuhe, Schutzhelm oder Gehörschutz, je nach Art und Einsatz des Geräts, verringert das Risiko von Verletzungen.
- Vermeiden Sie eine unbeabsichtigte Inbetriebnahme. Vergewissern Sie sich, dass das Gerät ausgeschaltet ist, bevor Sie es an eine Steckdose oder einen Akku anschließen, es hochheben oder tragen.** Wenn Sie beim Tragen des Geräts den Finger am Schalter haben oder das Gerät eingeschaltet an die Stromversorgung anschließen, kann dies zu Unfällen führen.

- d. **Entfernen Sie Einstell- oder Schraubenschlüssel, bevor Sie das Gerät einschalten.** Werkzeuge oder Schlüssel, die an rotierenden Teilen des Geräts angebracht sind, können zu Verletzungen führen.
- e. **Beugen Sie sich nicht zu weit nach vorne. Sorgen Sie für einen sicheren Stand und halten Sie jederzeit das Gleichgewicht.** Dadurch können Sie das Gerät in unerwarteten Situationen besser kontrollieren.
- f. **Tragen Sie geeignete Kleidung. Tragen Sie keine weite Kleidung und keinen Schmuck. Halten Sie Ihre Haare, Kleidung und Handschuhe von beweglichen Teilen fern.** Lose sitzende Kleidung, Schmuck oder lange Haare können sich in den beweglichen Teilen verfangen.
- g. **Falls Vorrichtungen zum Absaugen oder Auffangen von Staub vorhanden sind, vergewissern Sie sich, dass diese angeschlossen sind und richtig verwendet werden.** Das Verwenden einer Staubauffangvorrichtung verringert Gefährdungen durch Staub.

#### 4. Gebrauch und Pflege von Geräten

- a. **Überlasten Sie das Gerät nicht. Verwenden Sie das für Ihre Arbeit passende Gerät.** Das richtige Gerät wird die Aufgabe besser und sicherer erledigen, wenn es bestimmungsgemäß verwendet wird.
- b. **Verwenden Sie das Gerät nicht, wenn der Ein-/Ausschalter nicht funktioniert.** Ein Gerät, das sich nicht mehr ein- oder ausschalten lässt, ist gefährlich und muss repariert werden.
- c. **Ziehen Sie den Stecker aus der Steckdose, oder trennen Sie das Gerät vom Akku, bevor Sie Einstellungen vornehmen, Zubehörteile wechseln oder das Gerät lagern.** Diese Vorbeugemaßnahmen mindern die Gefahr, dass das Elektrogerät unbeabsichtigt startet.
- d. **Bewahren Sie unbenutzte Geräte außerhalb der Reichweite von Kindern auf. Lassen Sie Geräte nicht von Personen benutzen, die damit nicht vertraut sind oder diese Anweisungen nicht gelesen haben.** Geräte sind in den Händen nicht geschulter Personen gefährlich.
- e. **Halten Sie das Gerät in einem einwandfreien Zustand. Kontrollieren Sie, ob bewegliche Teile falsch ausgerichtet sind oder klemmen und ob Teile gebrochen oder so beschädigt sind, dass die Funktion des Geräts beeinträchtigt ist. Bei Beschädigungen lassen Sie das Gerät reparieren, bevor Sie es verwenden.** Viele Unfälle entstehen wegen mangelnder Wartung der Geräte.
- f. **Halten Sie Schneidgeräte scharf und sauber.** Richtig gewartete Schneidwerkzeuge mit scharfen Klingen blockieren seltener und sind leichter unter Kontrolle zu halten.
- g. **Verwenden Sie Gerät, Zubehör, Einsatz-Bits usw. entsprechend diesen Anweisungen und**

**berücksichtigen Sie dabei die Arbeitsbedingungen und die auszuführende Arbeit.** Der Gebrauch von Geräten für andere als die vorgesehenen Zwecke kann zu gefährlichen Situationen führen.

#### 5. Service

- a. **Lassen Sie das Gerät nur von qualifiziertem Fachpersonal und nur mit Originalersatzteilen reparieren.** Damit wird sichergestellt, dass die Sicherheit des Geräts erhalten bleibt.

#### Zusätzliche Sicherheitswarnungen für das Gerät



**Warnung!** Zusätzliche Sicherheitswarnungen für Heckenscheren

- ◆ **Halten Sie alle Körperteile von den Messern fern. Versuchen Sie nicht, Schnittmaterial zu entfernen oder festzuhalten, wenn die Messer in Bewegung sind. Stellen Sie beim Entfernen von eingeklemmtem Material sicher, dass das Gerät ausgeschaltet ist.** Ein Moment der Unachtsamkeit beim Gebrauch des Geräts kann zu ernsthaften Verletzungen führen.
- ◆ **Tragen Sie die Heckenschere stets mit angehaltenen Messern am Griff. Bringen Sie beim Transport bzw. bei der Lagerung der Heckenschere stets die Messerabdeckung an.** Der sachgemäße Umgang mit der Heckenschere verringert das Risiko von Verletzungen durch die Schnittmesser.
- ◆ **Halten Sie das Gerät ausschließlich an den isolierten Griffflächen, da das Messer mit verdeckten Kabeln oder dem Geräte kabel in Berührung kommen könnte.** Der Kontakt von Messern mit stromführenden Leitungen kann offen liegende Metallteile am Gerät unter Strom setzen und zu einem Stromschlag führen.
- ◆ **Halten Sie das Kabel von der Schneidzone fern.** Während des Betriebs wird das Kabel möglicherweise von Zweigen verdeckt und kann unbeabsichtigt von den Messern beschädigt werden.
- ◆ Die bestimmungsgemäße Verwendung ist in dieser Betriebsanleitung beschrieben. Die Verwendung von Zubehör oder Anbauteilen, die nicht in dieser Anleitung empfohlen sind, sowie die Bedienung des Geräts in Abweichung von den in dieser Anleitung beschriebenen Verfahren kann zu Verletzungen und/oder Sachschäden führen.
- ◆ Wenn Sie nicht bereits zuvor mit einer Heckenschere gearbeitet haben, sollten Sie sich zusätzlich zum Lesen dieser Anleitung von einem erfahrenen Benutzer in den Gebrauch einweisen lassen.
- ◆ Berühren Sie niemals die Klingen, wenn sich das Gerät in Betrieb befindet.

- ◆ Versuchen Sie nie, die Messer mit Gewalt zum Stillstand zu bringen.
- ◆ Setzen Sie das Gerät erst ab, nachdem die Messer vollständig zum Stillstand gekommen sind.
- ◆ Überprüfen Sie die Messer regelmäßig auf Beschädigungen und Abnutzung. Verwenden Sie das Gerät nicht, wenn die Messer beschädigt sind.
- ◆ Achten Sie bei der Arbeit auf harte Objekte (z. B. Metalldrähte oder Geländer). Wenn das Gerät versehentlich in Kontakt mit einem solchen Objekt kommt, schalten Sie es unverzüglich aus, und prüfen Sie das Gerät auf eventuelle Schäden.
- ◆ Schalten Sie das Gerät unverzüglich aus, wenn Sie ungewöhnliche Vibrationen bemerken, entfernen Sie es vom Netzanschluss, und prüfen Sie das Gerät anschließend auf eventuelle Schäden.
- ◆ Schalten Sie das Gerät unverzüglich aus, wenn es blockiert. Entfernen Sie es vom Netzanschluss, bevor Sie versuchen, Fremdkörper zu entfernen.
- ◆ Bringen Sie nach dem Gebrauch den mitgelieferten Messerschutz an. Lagern Sie das Gerät nicht mit ungeschützten Klingen.
- ◆ Stellen Sie bei Gebrauch stets sicher, dass alle Schutzvorrichtungen angebracht sind. Verwenden Sie auf keinen Fall ein unvollständiges Gerät bzw. ein Gerät, an dem unsachgemäße Änderungen vorgenommen wurden.
- ◆ Das Gerät darf auf keinen Fall von Kindern verwendet werden.
- ◆ Achten Sie beim Schneiden von höheren Heckenbereichen auf herabfallendes Schnittmaterial.
- ◆ Halten Sie das Gerät stets mit beiden Händen an den jeweiligen Griffen.

## Restrisiken

Beim Gebrauch dieses Geräts verbleiben zusätzliche Restrisiken, die möglicherweise nicht in den Sicherheitswarnungen genannt werden. Diese Risiken bestehen beispielsweise bei Missbrauch oder längerem Gebrauch.

Auch bei der Einhaltung der entsprechenden Sicherheitsvorschriften und der Verwendung aller Sicherheitsgeräte bestehen weiterhin bestimmte Restrisiken. Diese sind:

- ◆ Verletzungen, die durch das Berühren von sich drehenden/bewegenden Teilen verursacht werden.
- ◆ Verletzungen, die durch das Austauschen von Teilen, Sägeblättern oder Zubehör verursacht werden.
- ◆ Verletzungen, die durch längeren Gebrauch eines Geräts verursacht werden. Legen Sie bei längerem Gebrauch regelmäßige Pausen ein.
- ◆ Beeinträchtigung des Gehörs.
- ◆ Gesundheitsrisiken durch das Einatmen von Staub beim Gebrauch des Geräts (beispielsweise bei Holzarbeiten, insbesondere Eiche, Buche und Holzspan)

## Vibration

Die in den Abschnitten "Technische Daten" und "EG-Konformitätserklärung" angegebenen Werte für die Vibrationsemission wurden mit einer Standard-Prüfmethode nach EN 60745 ermittelt und können zum Vergleich verschiedener Geräte herangezogen werden. Außerdem kann mit Hilfe dieses Werts die Belastung bei Verwendung des Geräts schon im Voraus eingeschätzt werden.

**Warnung!** Die bei Verwendung des Geräts auftretende Vibrationsemission hängt von der Art des Gerätegebrauchs ab und kann dementsprechend von dem angegebenen Wert abweichen. Gegebenenfalls kann die Vibration über dem angegebenen Wert liegen.

Für die Ermittlung der Vibrationsbelastung müssen die tatsächlichen Einsatzbedingungen und Verwendungen des Geräts während des gesamten Arbeitsgangs berücksichtigt werden, einschließlich der Zeiten, wenn das Gerät nicht verwendet oder im Leerlauf betrieben wird. Diese Werte werden benötigt, um die gemäß 2002/44/EG erforderlichen Sicherheitsmaßnahmen zum Schutz von Personen festlegen zu können.

## Etiketten am Werkzeug

Am Gerät sind die folgenden Piktogramme inkl. Datumscode angebracht:



**Warnung!** Lesen Sie vor Gebrauch die Anleitung. Andernfalls besteht Verletzungsgefahr.



Tragen Sie eine Schutzbrille, wenn Sie mit dem Gerät arbeiten.



Tragen Sie einen Gehörschutz, wenn Sie mit dem Gerät arbeiten.



Ziehen Sie den Stecker sofort aus der Netzsteckdose, falls das Kabel beschädigt oder durchtrennt wurde.



Schützen Sie das Gerät vor Feuchtigkeit und Regen.



Garantierter Schalldruckpegel, gemessen nach Richtlinie 2000/14/EG.

## Elektrische Sicherheit



Dieses Gerät ist schutzisoliert, daher ist keine Erdleitung erforderlich. Überprüfen Sie immer, dass die Stromversorgung der Spannung auf dem Typenschild entspricht.

- ◆ Bei einer Beschädigung des Netzkabels muss dieses durch den Hersteller oder eine BLACK+DECKER Vertragswerkstatt ausgetauscht werden, um mögliche Gefahren zu vermeiden.
- ◆ Verwenden Sie geeignete Verlängerungskabel, wenn Sie mit dem Gerät im Freien arbeiten. Bei geeigneten Kabeln von BLACK+DECKER treten bis 30 m Kabellänge keine Leistungsverluste auf.
- ◆ Die elektrische Sicherheit lässt sich durch Verwendung eines Fehlerstromschutzschalters (30 mA) erhöhen.

## Merkmale

Dieses Gerät verfügt über einige oder alle der folgenden

Merkmale:

1. Sägeblatt
2. Schutzhaube
3. Zusatzgriff
4. Einschaltsperr
5. Auslöseschalter
6. Schaltergriff
7. Kabel-Aufbewahrungsfach
8. Sägeblatt
9. Sägeblattschuh

## Montage

**Warnung!** Stellen Sie vor der Montage sicher, dass das Gerät ausgeschaltet, der Netzstecker gezogen und der Messerschutz angebracht ist.

### Anbringen der Schutzvorrichtung am Trimmer (Abb. A, B)

Die Schutzvorrichtung ist bei der Lieferung nicht am Trimmer angebracht. Anbringen der Schutzvorrichtung:

- ◆ Entfernen Sie die Sicherungsschraube der Schutzvorrichtung 10 mit einem Kreuzschlitzschraubendreher (nicht mitgeliefert).
- ◆ Positionieren Sie die Schutzvorrichtung wie in Abb. A gezeigt. Vergewissern Sie sich, dass die Schlitze der Schutzvorrichtung in den Rillen am Gerät einrasten.
- ◆ Setzen Sie die Sicherungsschraube der Schutzvorrichtung 10 in die Öffnungen an der Seite der Schutzvorrichtung ein und ziehen Sie sie wie in Abb. B gezeigt fest.

**Warnung!** Verwenden Sie den Trimmer nur, wenn Griff und Schutzvorrichtung richtig angebracht sind. Die Verwendung der Heckenschere ohne die richtige Schutzvorrichtung oder den Griff kann zu schweren Verletzungen führen.

### Anbringen eines Verlängerungskabels am Trimmer (Abb. C)

In der Rückseite des Schaltergriffs (6) befindet sich eine Kabelhalterung (7).

- ◆ Formen Sie das Verlängerungskabel kurz vor seinem Ende zu einer Schleife.

- ◆ Führen Sie die Schleife wie in Fig. C gezeigt in das Kabelhaltergehäuse 11 ein.
- ◆ Haken Sie die Schleife so an dem Kabelhalter 7 fest, dass sie darin liegen bleibt.
- ◆ Stecken Sie das Verlängerungskabel in das Gerät ein.

### Korrekte Handhaltung (Abb. D)

Halten Sie den Trimmer immer so fest, wie es in den Abbildungen in diesem Handbuch dargestellt ist, d.h. mit einer Hand auf dem Schaltergriff und mit einer Hand am Zusatzhandgriff (Abb. D). Tragen Sie die Maschine niemals an der Schutzvorrichtung der Klinge.

## Verwendung

**Warnung!** Beschleunigen Sie den Arbeitsvorgang nicht mit Gewalt. Vermeiden Sie eine Überlastung.

### Ein- und Ausschalten

**Hinweis:** Das Gerät ist zu Ihrer Sicherheit mit einer Zweihandbetätigung ausgestattet. Durch dieses System wird das versehentliche Einschalten des Geräts verhindert. Das Gerät kann nur betrieben werden, wenn es mit beiden Händen gehalten wird.

### Einschalten (Abb. E)

- ◆ Zum Einschalten des Werkzeugs müssen Sie sowohl den Hilfsschalter (4) am Griff nach hinten gedrückt halten und dabei den Hauptschalter (5) am Griff drücken. Damit das Gerät weiterhin läuft, müssen Sie beide Schalter gedrückt halten. Lassen Sie zum Ausschalten des Geräts den Hilfsschalter oder den Auslöseschalter wieder los.

**Warnung!** Versuchen Sie niemals, einen Schalter in seiner Einschaltstellung zu arretieren.

- ◆ Ölen Sie die Messer regelmäßig.

### Tipps für den Beschnitt

### Verlängerungskabel (Abb. F)

- ◆ Halten Sie das Verlängerungskabel wie in Abbildung F gezeigt immer hinter dem Trimmer und vom Arbeitsbereich fern. Legen Sie es niemals über den Teil der Hecke, der noch bearbeitet werden soll. Wenn Sie in das Kabel schneiden oder es beschädigen, ziehen Sie es sofort aus der Steckdose, bevor Sie es überprüfen oder reparieren.

### Arbeitsposition

- ◆ Achten Sie auf einen sicheren Stand und eine sichere Balance und überstrecken Sie sich nicht.
- ◆ Tragen Sie bei der Arbeit mit dem Gerät eine Schutzbrille, rutschfeste Schuhe und Gummihandschuhe.
- ◆ Halten Sie das Gerät mit beiden Händen fest und schalten Sie es ein. Halten Sie den Trimmer immer so fest, wie es in Abb. D dargestellt ist, d.h. mit einer Hand auf dem

Schaltegriff und mit einer Hand am Zusatzhandgriff.  
Tragen Sie das Gerät niemals an der Schutzvorrichtung der Klinge.

### Trimmen von nachgewachsenen Bereichen (Abb. G)

- ◆ Eine breite, geschwungene Bewegung, bei der die Klingenzähne durch die Zweige geführt werden, ist am effektivsten. Eine in Bewegungsrichtung leicht nach unten geneigte Klinge bietet das beste Schneidergebnis.

**Warnung!** Verwenden Sie Trimmer nicht zum Schneiden von Stielen mit mehr als 16 mm Dicke. Verwenden Sie den Trimmer nur zum Schneiden von normalem Gebüsch um Häuser und andere Gebäude herum.

### Begradigen von Hecken (Abb. H)

- ◆ Um besonders gerade Hecken zu erhalten, bringen Sie entlang der Länge der Hecke ein Stück Schnur als Führung an.

### Trimmen der Heckenseiten (Abb. I)

- ◆ Arbeiten Sie immer von unten nach oben.

### Sägeblatt (Abb. J)

- ◆ Um Äste zu schneiden, die für das Messer ( 1 ) zu dick sind, verwenden Sie das Sägeblatt ( 8 ). Positionieren Sie das Sägeblatt so nah wie möglich am unteren Ende des Astes. Setzen Sie den Sägeblattschuh ( 9 ) gegen den Ast. Schalten Sie die Heckenschere wie oben beschrieben ein und lassen Sie das Werkzeug in seinem eigenen Tempo arbeiten, bis der Ast vollständig abgesägt ist.

Die Schneidklingen sind aus hochwertigem, gehärtetem Stahl und bei normaler Verwendung ist kein Nachschärfen erforderlich. Wenn Sie allerdings versehentlich einen Drahtzaun (Abb. L), Steine, Glas oder andere harte Gegenstände treffen, kann das zu einer Scharte in der Klinge führen. Eine solche Scharte muss nicht entfernt werden, solange sie die Bewegung der Klinge nicht beeinträchtigt. Falls das doch der Fall ist, ziehen Sie das Stromkabel ab und entfernen Sie die Scharte mit Hilfe einer feinen Feile oder eines Schleifsteins. Wenn das Gerät herunterfällt, untersuchen Sie es sorgfältig auf Schäden. Wenn die Klinge verbogen oder das Gehäuse rissig ist oder wenn Griffe gebrochen sind oder Sie etwas anderes feststellen, das den Betrieb des Geräts beeinträchtigen könnte, wenden Sie sich an Ihre lokale BLACK+DECKER Vertragswerkstatt, um das Gerät reparieren zu lassen, bevor Sie es wieder in Betrieb nehmen.

Düngemittel und andere in Gärten verwendete Chemikalien enthalten Stoffe, die das Rosten von Metallen stark beschle-

unigen. Lagern Sie das Gerät daher nicht auf oder in der Nähe von Düngemitteln oder anderen Chemikalien.

### Zubehör

Das verwendete Zubehör hat wesentlichen Einfluss auf die Leistung des Geräts. Zubehörteile von BLACK+DECKER erfüllen höchste Qualitätsstandards und wurden speziell für die Verwendung mit Ihrem Gerät entwickelt. Bei Verwendung dieses Zubehörs erhalten Sie stets optimale Ergebnisse.

### Wartung

Ihr BLACK+DECKER Gerät (mit und ohne Netzkabel) wurde im Hinblick auf eine lange Lebensdauer und einen möglichst geringen Wartungsaufwand entwickelt. Ein kontinuierlicher, zufriedenstellender Betrieb hängt von der richtigen Pflege des Gerätes und seiner regelmäßigen Reinigung ab. Schmieröl erhalten Sie im BLACK+DECKER-Fachhandel (Katalognr. A6102-XJ).

**Warnung!** Vor dem Ausführen jeglicher Wartungsarbeiten an Geräten mit und ohne Netzkabel:

- ◆ Schalten Sie das Gerät aus, und ziehen Sie den Netzstecker.
- ◆ Wenn das Gerät über einen separaten Akku verfügt, schalten Sie das Gerät ab und entfernen Sie ihn vom Gerät.
- ◆ Wenn der Akku integriert ist, entladen Sie diesen vor dem Abschalten vollständig.
- ◆ Trennen Sie das Ladegerät von der Stromversorgung, bevor Sie es reinigen. Das Ladegerät benötigt keine Wartung, es sollte jedoch regelmäßig gereinigt werden.
- ◆ Reinigen Sie regelmäßig die Lüftungsschlitze des Geräts und des Ladegeräts mit einer weichen Bürste oder einem trockenen Tuch.
- ◆ Reinigen Sie das Motorgehäuse regelmäßig mit einem feuchten Tuch. Verwenden Sie keine scheuernden Reinigungsmittel oder Reinigungsmittel auf Lösungsmittelbasis.
- ◆ Reinigen Sie die Messer nach dem Gebrauch sorgfältig. Tragen Sie nach der Reinigung leichtes Maschinenöl auf die Messer auf, um Rostbildung vorzubeugen.

### Umweltschutz



Getrennte Entsorgung. Produkte und Akkus mit diesem Symbol dürfen nicht mit dem normalen Hausmüll entsorgt werden.

Produkte und Akkus enthalten Materialien, die wiederverwertet werden können, um den Bedarf an Rohstoffen zu verringern. Bitte recyceln Sie elektrische Produkte und Akkus gemäß den örtlichen Bestimmungen. Weitere Informationen finden Sie auf [www.2helpU.com](http://www.2helpU.com)

## Fehlerbehebung

Problem	Mögliche Ursache	Mögliche Lösung
Klingen laufen langsam, sind laut oder werden heiß.	Klingen sind trocken, rostig.	Klingen schmieren.
	Klingen oder Klingenhalterung verbogen.	Klinge oder Klingenhalterung begradigen.
	Zähne verbogen oder beschädigt.	Zähne begradigen.
	Lockere Klingenschrauben.	Ziehen Sie die Klingenschrauben an.
Gerät startet nicht.	Einschaltsperrfunktioniert nicht.	Prüfen Sie, ob die Einschaltsperr vollständig nach vorne gedrückt ist, bevor Sie den Hauptauslöser betätigen.
	Kabel nicht eingesteckt.	Schließen Sie das Gerät an eine funktionierende Steckdose an.
	Sicherung wurde ausgelöst.	Ersetzen Sie die Sicherung. (Wenn dieses Problem wiederholt auftritt, verwenden Sie das Gerät keinesfalls erneut, sondern lassen Sie das Gerät in einem BLACK+DECKER Servicecenter oder einer autorisierten Vertragswerkstatt reparieren.)
	Leistungstrennschalter hat ausgelöst.	Leistungstrennschalter zurücksetzen. (Wenn dieses Problem wiederholt auftritt, verwenden Sie das Gerät keinesfalls erneut, sondern lassen Sie das Gerät in einem BLACK+DECKER Servicecenter oder einer autorisierten Vertragswerkstatt reparieren.)
	Kabel oder Schalter beschädigt.	Lassen Sie das Kabel oder den Schalter in einer BLACK+DECKER Vertragswerkstatt oder einer anderen autorisierten Werkstatt austauschen.

### Schalldruckpegel gemäß EN 60745:

Schalldruck an der Bedienerposition ( $L_{pA}$ ) 89 dB(A), Unsicherheitsfaktor (K) 3,5 dB(A)

Schalleistungspegel ( $L_{WA}$ ) 98 dB(A), Unsicherheitsfaktor (K) 2,0 dB(A)

### Gesamtvibration (Triax-Vektorsumme) gemäß EN 60745:

Vibrationsemissionswert ( $a_{h,v}$ ) 4,1 m/s<sup>2</sup>, Unsicherheitsfaktor (K) 2,1 m/s<sup>2</sup>

## EU-Konformitätserklärung MASCHINENRICHTLINIE AUSSENLAUTSTÄRKERICHTLINIE



BEHTS301, BEHTS401, BEHTS451,  
BEHTS501 – Heckenschere

Black & Decker erklärt, dass die in den technischen Daten beschriebenen Geräte übereinstimmen mit:  
EN 60745-1:2009 +A11:2010, EN 60745-2-15:2009 +A1:2010

2000/14/EC, Heckenschere, Anhang V  
Gemessener Schalleistungspegel ( $L_{WA}$ ) 98 dB(A)  
Unsicherheitsfaktor (K) 2,0 dB(A)  
Garantierte Schalleistung ( $L_{WA}$ ) 100 dB(A)

Diese Produkte entsprechen außerdem der Richtlinie  
2006/42/EC, 2014/30/EU und 2011/65/EU.

## Technische Daten

		BEHTS301 Typ 1	BEHTS401 Typ 1
Spannung	$V_{AC}$	230	230
Leistungsaufnahme	W	500	500
Klingenhöhe (lastfrei)	min <sup>-1</sup>	1850	1835
Messerlänge	cm	50	55
Messerabstand	mm	22	22
Messerbremszeit	s	<1	<1
Sägeblatt Max. Schnitt	mm	35	35
Gewicht	kg	2,47	2,54

		BEHTS451 Typ 1	BEHTS501 Typ 1
Spannung	$V_{AC}$	230	230
Leistungsaufnahme	W	550	600
Klingenhöhe (lastfrei)	min <sup>-1</sup>	1870	1840
Messerlänge	cm	60	60
Messerabstand	mm	25	25
Messerbremszeit	s	<1	<1
Sägeblatt Max. Schnitt	mm	35	35
Gewicht	kg	2,65	2,65

Weitere Informationen erhalten Sie von Black & Decker unter der folgenden Adresse. Diese befindet sich auch auf der Rückseite dieser Anleitung.

Der Unterzeichnete ist verantwortlich für die Zusammenstellung der technischen Daten und gibt diese Erklärung im Namen von Black & Decker ab.

A. Smith  
Technical Director  
Black & Decker Europe, 210 Bath Road, Slough,  
Berkshire, SL1 3YD  
Vereinigtes Königreich  
22.01.2019

## Garantie

Black & Decker vertraut auf die Qualität der eigenen Geräte und bietet dem Käufer eine außergewöhnliche Garantie von 24 Monaten ab Kaufdatum. Diese Garantie versteht sich unbeschadet der gesetzlichen Gewährleistungsansprüche und schränkt diese keinesfalls ein. Diese Garantie gilt innerhalb der Staatsgebiete der Mitgliedstaaten der Europäischen Union und der Europäischen Freihandelszone.

## DEUTSCH

(Übersetzung der ursprünglichen Anweisungen)

Zur Inanspruchnahme dieser Garantie muss sie den allgemeinen Geschäftsbedingungen von Black & Decker entsprechen und dem Verkäufer bzw. der Vertragswerkstatt ist ein Kaufnachweis vorzulegen. Die Bedingungen für die 2-jährige Garantie von Black & Decker und den Standort Ihrer nächstgelegenen Vertragswerkstatt finden Sie im Internet unter [www.2helpU.com](http://www.2helpU.com) oder indem Sie sich an die lokale Black & Decker-Niederlassung wenden, deren Adresse Sie in dieser Anleitung finden.

Ihr neues Black & Decker Produkt können Sie auf unserer Website unter [www.blackanddecker.de](http://www.blackanddecker.de) registrieren. Dort erhalten Sie auch Informationen über neue Produkte und Sonderangebote.

## FRANÇAIS

(Traduction des instructions initiales)

### Utilisation prévue

Vos taille-haies BLACK+DECKER™ BEHTS301, BEHTS401, BEHTS451, BEHTS501 ont été conçus pour tailler les haies, les buissons et les ronces. Cet outil est destiné à un usage grand public uniquement.

### Consignes de sécurité

#### Avertissements de sécurité générale liés aux outils électriques



**Avertissement !** Lisez tous les avertissements de sécurité et toutes les instructions. Le non-respect des avertissements et des instructions listés ci-dessous peut entraîner des chocs électriques, des incendies et/ou de graves blessures.

**Conservez tous les avertissements et toutes les instructions afin de pouvoir vous y référer dans le futur.** Le terme "outil électrique" mentionné dans tous les avertissements listés ci-dessous fait référence à vos outils électriques fonctionnant sur secteur (avec câble) ou sur pile ou batterie (sans fil).

#### 1. Sécurité de la zone de travail

- Maintenez la zone de travail propre et bien éclairée.** Les zones sombres ou encombrées sont propices aux accidents.

(Traduction des instructions originales)

## FRANÇAIS

- N'utilisez pas d'outils électriques dans un environnement présentant des risques d'explosion ou en présence de liquides, gaz ou poussières inflammables.** Les outils électriques créent des étincelles qui peuvent enflammer les poussières et les fumées.
- Maintenez les enfants et les autres personnes éloignés lorsque les outils électriques sont en marche.** Toute distraction peut vous faire perdre le contrôle de l'outil.

### 2. Sécurité électrique

- Les prises des outils électriques doivent correspondre à la prise de courant murale. Ne modifiez jamais la prise d'aucune sorte. N'utilisez aucun adaptateur avec des outils électriques reliés à la terre.** L'utilisation de prises d'origine et de prises murales appropriées permet de réduire le risque de choc électrique.
- Évitez tout contact physique avec des surfaces reliées à la terre comme des tuyaux, des radiateurs, des fours et des réfrigérateurs par exemple.** Le risque de choc électrique augmente lorsque votre corps est relié à la terre.
- N'exposez pas les outils électriques à la pluie, ni à l'humidité.** Le risque de choc électrique augmente si de l'eau pénètre dans un outil électrique.
- Ne tirez pas sur le cordon d'alimentation. N'utilisez jamais le cordon pour transporter, tirer ou débrancher l'outil électrique. Maintenez le cordon éloigné de la chaleur, de substances grasses, de bords tranchants ou de pièces mobiles.** Les cordons endommagés ou emmêlés augmentent le risque de choc électrique.
- Si vous utilisez un outil électrique à l'extérieur, utilisez une rallonge homologuée pour les travaux extérieurs.** L'utilisation d'une rallonge électrique homologuée pour les travaux en extérieur réduit le risque de choc électrique.
- Si l'utilisation d'un outil électrique dans un endroit humide est inévitable, utilisez une alimentation électrique protégée par un disjoncteur différentiel à courant résiduel.** L'utilisation d'un disjoncteur différentiel réduit le risque de choc électrique.

### 3. Sécurité des personnes

- Restez vigilant, surveillez ce que vous faites et faites preuve de bon sens lorsque vous utilisez un outil électrique. N'utilisez pas d'outils électriques si vous êtes fatigué ou sous l'influence de drogue, d'alcool ou de médicaments.** Tout moment d'inattention pendant l'utilisation d'un outil électrique peut engendrer de graves blessures.
- Portez des équipements de protection individuelle. Portez toujours une protection oculaire.** Les équipements de protection comme les masques à

poussière, les chaussures de sécurité antidérapantes, les casques ou les protections auditives, utilisés à bon escient, réduisent le risque de blessures.

- c. **Empêchez tout démarrage intempestif. Assurez-vous que l'interrupteur est en position Arrêt avant de raccorder l'outil à l'alimentation électrique et/ou au bloc-batterie ou avant de ramasser ou de transporter l'outil.** Le fait de transporter les outils électriques le doigt sur l'interrupteur ou d'alimenter les outils électriques dont l'interrupteur est déjà en position de marche augmente le risque d'accidents.
- d. **Retirez toutes les clés ou pinces de réglage avant de mettre l'outil en marche.** Une clé ou une pince restée fixée sur une pièce rotative de l'outil électrique peut engendrer des blessures.
- e. **Ne vous penchez pas. Gardez les pieds bien ancrés au sol et conservez votre équilibre en permanence.** Cela permet de mieux maîtriser l'outil électrique en cas de situations imprévues.
- f. **Portez des vêtements appropriés. Ne portez aucun vêtement ample ou bijou. Gardez vos cheveux, vos vêtements et vos gants éloignés des pièces mobiles.** Les vêtements amples, les bijoux ou les cheveux longs peuvent être happés par les pièces mobiles.
- g. **Si des dispositifs pour le raccordement d'un extracteur de poussières ou des installations pour la récupération sont présents, assurez-vous qu'ils sont correctement raccordés et utilisés.** L'utilisation de dispositifs récupérateurs de poussières réduit les risques liés aux poussières.

#### 4. Utilisation et entretien des outils électriques

- a. **Respectez la capacité de l'outil. Utilisez l'outil approprié en fonction du travail à réaliser.** Un outil adapté fonctionne mieux, de façon plus sûre et à la cadence pour laquelle il a été conçu.
- b. **N'utilisez pas l'outil électrique si son interrupteur ne permet pas de l'allumer ou de l'éteindre.** Tout outil électrique qui ne peut plus être commandé par son interrupteur est dangereux et doit être réparé.
- c. **Débranchez la prise du secteur et/ou retirez le bloc-batterie de l'outil électrique avant d'effectuer tout réglage, de changer un accessoire ou de ranger l'outil électrique.** Ces mesures de sécurité préventives réduisent le risque de démarrage accidentel de l'outil électrique.
- d. **Rangez les outils électriques non utilisés hors de portée des enfants et ne laissez aucune personne ne connaissant pas ces outils ou leurs instructions d'utilisation les faire fonctionner.** Les outils électriques peuvent être dangereux entre des mains inexpérimentées.

- e. **Entretenez vos outils électriques. Vérifiez que les pièces mobiles sont alignées correctement et qu'elles ne sont pas coincées. Vérifiez qu'aucune pièce n'est cassée et contrôlez l'absence de toute autre condition qui pourrait nuire au bon fonctionnement de l'outil. En cas de dommage, faites réparer l'outil électrique avant de l'utiliser.** De nombreux accidents sont provoqués par des outils électriques mal entretenus.
- f. **Maintenez les organes de coupe affûtés et propres.** Des organes de coupe bien entretenus et affûtés sont moins susceptibles de rester coincés et sont plus faciles à contrôler.
- g. **Utilisez l'outil électrique, les accessoires et les embouts d'outils conformément à ces instructions, en tenant compte des conditions de travail, ainsi que du travail à effectuer.** L'utilisation d'un outil électrique à des fins autres que celles pour lesquelles il a été prévu engendre des situations dangereuses.

#### 5. Révision/Réparation

- a. **Faites réparer votre outil électrique par une personne qualifiée, n'utilisant que des pièces de rechange d'origine.** Cela permet de garantir la sûreté de l'outil électrique.

#### Consignes de sécurité supplémentaires liées aux outils électriques



**Avertissement !** Consignes de sécurité supplémentaires pour les tailles-haies

- ◆ **Gardez toutes les parties de votre corps éloignées de la lame de coupe. Ne cherchez pas à retirer les éléments coupés ou à tenir les éléments à couper quand les lames fonctionnent. L'outil doit être éteint pour éliminer les matériaux coincés.** Tout moment d'inattention en utilisant l'outil peut entraîner de graves blessures.
- ◆ **Portez la taille-haie par sa poignée quand la lame est complètement arrêtée. Pendant le transport ou le rangement du taille-haie, installez toujours le couvre-lame.** En respectant ces consignes, les risques de blessures sont limités.
- ◆ **Tenez l'outil au niveau des surfaces de prise isolées pour éviter que la lame ne se trouve en contact avec des fils cachés ou le câble.** Tout contact de la lame avec un fil sous tension peut mettre les parties métalliques exposées de l'outil électrique sous tension et provoquer un choc électrique à l'utilisateur.
- ◆ **Éloignez le câble des zones de coupe.** Pendant le fonctionnement, le câble peut être caché par des arbustes et risque de sectionner les lames.



- ◆ L'utilisation prévue est décrite dans ce manuel d'utilisation. L'utilisation d'un accessoire ou d'une fixation ou l'utilisation de cet outil à d'autres fins que celles recommandées dans ce manuel d'utilisation présentent un risque de blessures et/ou de dommages matériels.
- ◆ Si vous n'avez jamais utilisé de taille-haie, demandez à une personne expérimentée de vous donner quelques conseils pratiques en plus d'étudier ce manuel.
- ◆ Ne touchez jamais les lames quand l'outil est en marche.
- ◆ Ne forcez jamais les lames à s'arrêter.
- ◆ Ne posez pas l'outil tant que les lames ne sont pas parfaitement immobiles.
- ◆ Contrôlez régulièrement l'absence de dommage et d'usure sur les lames. N'utilisez pas l'outil si les lames sont endommagées.
- ◆ Prenez soin d'éviter les objets dur (ex : fils métalliques, rails) pendant la taille. Si vous touchez ce genre d'objet par accident, éteignez immédiatement l'outil et contrôlez l'absence de dommage.
- ◆ Si l'outil vibre anormalement, éteignez immédiatement l'outil et débranchez-le de la prise puis vérifiez s'il y a eu des dommages.
- ◆ Si l'outil cale, éteignez-le immédiatement. Débranchez-le de la prise avant d'essayer de retirer les éléments qui le bloquent.
- ◆ Après utilisation, placez le couvre-lame fourni sur les lames. Rangez l'outil en prenant soin de ne pas laisser la lame apparente.
- ◆ Assurez-vous toujours que toutes les protections sont installées pour utiliser l'outil. N'essayez jamais d'utiliser un outil auquel il manquerait des pièces ou un outil ayant subi des modifications non autorisées.
- ◆ Ne laissez jamais les enfants utiliser l'outil.
- ◆ Faites attention à la chute de débris lorsque vous taillez la partie haute d'une haie.
- ◆ Tenez toujours l'outil avec les deux mains et par les poignées prévues à cet effet.

## Risques résiduels

Certains risques résiduels autres que ceux mentionnés dans les avertissements sur la sécurité peuvent survenir en utilisant l'outil. Ces risques peuvent être provoqués par une utilisation incorrecte, prolongée, etc.

Malgré l'application des normes de sécurité pertinentes et la mise en œuvre de dispositifs de sécurité, certains risques résiduels ne peuvent pas être évités. Ils comprennent :

- ◆ Les blessures dues au contact avec une pièce rotative/mobile.
- ◆ Les blessures dues au remplacement de pièces, de lames ou d'accessoires.
- ◆ Les blessures dues à l'utilisation prolongée d'un outil. Lorsque l'outil est utilisé pendant de longues périodes, assurez-vous de faire des pauses régulières.

- ◆ La diminution de l'acuité auditive.
- ◆ Les risques sanitaires dus à l'inhalation de poussières émises pendant l'utilisation de l'outil (exemple : travail avec du bois, surtout le chêne, le hêtre et les panneaux en MDF).

## Vibrations

La valeur des émissions de vibrations déclarée dans les caractéristiques techniques et la déclaration de conformité a été mesurée conformément à la méthode de test standard de la norme EN 60745 et peut être utilisée pour comparer un outil à un autre. La valeur des émissions de vibrations déclarée peut aussi être utilisée pour une évaluation préliminaire à l'exposition.

**Avvertissement !** En fonction de la manière dont l'outil est utilisé, la valeur des émissions de vibrations réelles pendant l'utilisation de l'outil peut différer de la valeur déclarée. Le niveau des vibrations peut dépasser le niveau déclaré.

Quand l'exposition aux vibrations est évaluée afin de déterminer les mesures de sécurité requises par la norme 2002/44/CE pour protéger les personnes utilisant régulièrement des outils électriques, cette estimation doit tenir compte des conditions réelles d'utilisation et de la façon dont l'outil est utilisé. Il faut également tenir compte de toutes les composantes du cycle de fonctionnement comme la durée pendant laquelle l'outil est arrêté et quand il fonctionne au ralenti, ainsi que la durée du déclenchement.

## Étiquettes apposées sur l'outil

Les pictogrammes qui suivent figurent sur l'outil avec le code date :



**Avvertissement !** Afin de réduire le risque de blessures, l'utilisateur doit lire le manuel d'utilisation.



Portez des lunettes de sécurité lorsque vous utilisez cet outil.



Portez des protections auditives pendant l'utilisation de l'outil.



Débranchez immédiatement le câble du secteur s'il est endommagé ou coupé.



N'exposez pas l'outil à la pluie ou à l'humidité.



Puissance sonore garantie conforme à la Directive 2000/14/CE.

## Sécurité électrique



Cet outil est doublement isolé et ne nécessite donc aucun fil de liaison à la terre. Assurez-vous toujours que l'alimentation électrique correspond à la tension mentionnée sur la plaque signalétique.

- ◆ Si le câble d'alimentation est endommagé, il doit être remplacé par le fabricant ou par un centre de réparation agréé BLACK+DECKER afin d'éviter tout accident.
- ◆ Pour manipuler l'outil à l'extérieur, utilisez uniquement une rallonge homologuée pour ce genre d'utilisation. Une rallonge BLACK+DECKER correctement calibrée de 30 m peut être utilisée sans perte de puissance.
- ◆ Utilisez un dispositif de courant résiduel à grande sensibilité, 30 mA (RCD) pour améliorer la sécurité électrique.

## Caractéristiques

Cet outil dispose de tout ou partie des éléments suivants.

1. Lame
2. Carter de protection
3. Poignée auxiliaire
4. Bouton de verrouillage
5. Gâchette
6. Poignée interrupteur
7. Porte-câble
8. Lame de scie
9. Semelle Lame de scie

## Assemblage

**Avertissement !** Avant l'assemblage, assurez-vous que l'outil est éteint, débranché et que le protège-lame est en place.

### Fixer le protège-lame au taille-haie (Fig. A, B)

Le carter de protection n'est pas fixé au taille-haie à la livraison. Pour installer le carter de protection :

- ◆ Retirez la vis qui maintient le carter de protection 10 à l'aide d'un tournevis Phillips (non fourni).
- ◆ Positionnez le carter de protection comme illustré par la Fig. A en vous assurant que les fentes sur le carter rentrent dans les encoches de l'appareil.
- ◆ Insérez la vis de fixation du carter 10, dans les trous sur le côté du carter et serrez-la fermement, comme illustré par la Fig. B.

**Avertissement !** N'utilisez l'outil que si la poignée et le dispositif de protection sont correctement assemblés sur le taille-haie. L'utilisation du taille-haie sans que le dispositif de protection et la poignée fournis ne soient en place peut engendrer de graves blessures.

### Fixer la rallonge au taille-haie (Fig. C)

Un passe-câble (7) se trouve à l'arrière de la poignée interrupteur (6).

- ◆ Près de l'extrémité de la rallonge, pliez la rallonge pour créer une boucle.
- ◆ Faites passer la boucle dans le corps du passe-câble 11, comme illustré par la Fig. C.
- ◆ Accrochez la boucle sur le passe-câble 7 pour qu'il y reste.
- ◆ Branchez la rallonge à l'appareil.

### Position correcte des mains (Fig. D)

Tenez toujours le taille-haie comme indiqué par les illustrations de ce manuel, une main sur la poignée interrupteur et l'autre main sur la poignée auxiliaire (Fig. G). Ne tenez jamais l'appareil par le protège-lame.

## Utilisation

**Avertissement !** Laissez l'outil fonctionner à son propre rythme. Ne le poussez pas au-delà de sa capacité.

## Allumage et extinction

**Remarque :** Pour votre sécurité, cet outil est équipé d'un système à double commande. Ce système évite le démarrage accidentel de l'outil et permet le fonctionnement de l'outil uniquement quand il est tenu avec les deux mains.

### Mise en marche (Fig. E)

- ◆ Pour mettre l'outil en marche, vous devez à la fois enfoncer l'interrupteur de la poignée auxiliaire (4) vers l'arrière et l'interrupteur à gâchette de la poignée principale (5). Afin de maintenir l'appareil en marche, vous devez continuer à enfoncer les deux interrupteurs. Pour éteindre l'appareil, relâchez soit l'interrupteur de la poignée principale, soit l'interrupteur à gâchette.

**Avertissement !** N'essayez jamais de bloquer l'interrupteur en position marche.

- ◆ Graissez régulièrement les lames.

## Consignes pour la taille

### Rallonge (Fig. F)

- ◆ Gardez toujours la rallonge derrière le taille-haie et éloignée lors des opérations de taille, comme illustré par la figure F. Ne la faites jamais courir sur une haie en cours de taille. Si vous coupez ou endommager le cordon, débranchez-le immédiatement de la prise électrique, avant de l'inspecter et de le réparer.

### Position de travail

- ◆ Adoptez une position stable, gardez votre équilibre et ne vous penchez pas.

- ◆ Portez des lunettes de protection, des chaussures antidérapantes et des gants en caoutchouc pendant la taille.
- ◆ Tenez l'appareil fermement à deux mains et allumez-le. Tenez toujours la taille-haie comme illustré par la Fig. D, une main sur la poignée interrupteur et une main sur la poignée auxiliaire. Ne tenez jamais l'appareil par le protégé-lame.

### Taille de nouvelles pousses (Fig. G)

- ◆ Un mouvement de balayage ample en amenant les dents de la lame sur les ramilles est le moyen le plus efficace. Une légère inclinaison de la lame dans le sens du mouvement donne de meilleurs résultats.

**Avertissement !** N'utilisez pas le taille-haie pour couper des tiges de plus de 16 mm. N'utilisez le taille-haie que pour couper des arbustes ordinaires que l'on trouve autour des maisons et des bâtiments.

### Haies régulières (Fig. H)

- ◆ Pour obtenir des haies parfaitement égalisées, il est possible de placer un morceau de fil comme guide le long de la haie.

### Taille latérale des haies (Fig. J)

- ◆ Commencer la taille par le bas, en remontant.

### Lame de scie (Fig. J)

- ◆ Pour les branches trop grosses pour la lame (1), utilisez la lame de scie (8). Placez la lame de scie aussi près que possible du bas de la branche. Placez la semelle de la lame de scie (9) contre la branche. Allumez le taille-haie comment décrit plus haut, en laissant l'outil fonctionner à sa propre cadence jusqu'à ce que la branche soit totalement sciée.

Les lames sont des lames en acier trempé de grande qualité qui, en cas d'utilisation normale, ne nécessitent aucun affûtage. Cependant, si vous touchez accidentellement un grillage (Fig. L), des pierres, du verre et d'autres objets durs, il se peut que vous ébréchiez la lame. Il n'est pas nécessaire de rectifier cette ébréchure tant qu'elle n'impacte pas le mouvement de la lame. Si elle interfère, débranchez le cordon et utilisez une lime fine ou une pierre à affûter pour corriger l'ébréchure. Si vous faites tomber le taille-haie, contrôlez soigneusement l'absence de dommage. Si la lame est tordue, que le corps de l'outil est fissuré ou que les poignées sont cassées ou si vous détectez d'autres conditions qui pourraient nuire au bon fonctionnement du taille-haie, contactez votre centre d'assistance BLACK+DECKER local pour le faire réparer avant de le réutiliser.

Les engrais et autres produits chimiques contiennent des agents qui accélèrent le phénomène de corrosion des métaux.

Ne rangez pas l'appareil sur ou à proximité d'engrais ou de produits chimiques.

### Accessoires

Les performances de votre outil dépendent de l'accessoire utilisé. Les accessoires BLACK+DECKER sont élaborés dans le respect de normes de qualité supérieure et ils sont conçus pour améliorer les performances de votre outil. L'utilisation de ces accessoires vous permet de tirer le meilleur de votre outil.

### Maintenance

Votre appareil/outil sans fil/avec fil BLACK+DECKER a été conçu pour fonctionner pendant longtemps avec un minimum d'entretien. Le fonctionnement continu et satisfaisant de l'appareil dépend de son bon entretien et de son nettoyage régulier.

Vous trouverez de l'huile de graissage chez votre revendeur Black & Decker (cat. N° A6102-XJ).

**Avertissement !** Avant toute intervention de maintenance sur des outils électriques avec ou sans fil :

- ◆ Éteignez l'appareil/outil et débranchez-le.
- ◆ Ou, éteignez l'appareil/outil et retirez en la batterie si celui-ci est muni d'un bloc-batterie séparé.
- ◆ Ou, déchargez complètement la batterie si elle est intégrée, puis éteignez l'appareil.
- ◆ Débranchez le chargeur avant de le nettoyer. Votre chargeur ne nécessite aucun entretien particulier, à l'exception d'un nettoyage régulier.
- ◆ Nettoyez régulièrement les fentes d'aération de votre appareil/outil/chargeur à l'aide d'une brosse souple ou d'un chiffon sec.
- ◆ Nettoyez régulièrement le bloc-moteur à l'aide d'un chiffon humide. N'utilisez pas de détergents abrasifs ou à base de solvants.
- ◆ Après utilisation, nettoyez soigneusement les lames. Après avoir nettoyé les lames, appliquez une fine couche d'huile machine pour éviter la rouille.

### Protection de l'environnement



Tri sélectif. Les produits et batteries marqués de ce symbole ne doivent pas être jetés avec les déchets ménagers.

Les produits et batteries contiennent des matières qui peuvent être récupérées et recyclées afin de réduire la demande en matières premières.

Veillez à recycler les produits électriques et les piles et batteries conformément aux dispositions locales en vigueur. Plus d'informations sont disponibles sur le site [www.2helpU.com](http://www.2helpU.com)

## Dépannage

Problème	Cause possible	Solution possible
Le fonctionnement est lent, bruyant ou les lames chauffent.	Les lames sont sèches, corrodées.	Lubrifiez les lames.
	Les lames ou le support de lame sont tordus.	Rectifiez la lame ou le support de lame.
	Les dents sont tordues ou endommagées.	Rectifiez les dents.
	Les boulons de la lame sont desserrés.	Resserrez les boulons de la lame.
L'appareil ne démarre pas.	Le déverrouillage n'est pas bien enclenché.	Contrôlez que le bouton de verrouillage est complètement enfoncé poussé vers l'avant, avant de déplacer la gâchette principale.
	Le cordon n'est pas branché.	Branchez le cordon dans une prise murale qui fonctionne.
	Le fusible du circuit est grillé.	Remplacez le fusible du circuit. (Si le fusible du circuit grille régulièrement, cessez immédiatement l'utilisation de l'appareil et faites-le réparer dans un centre d'assistance BLACK+DECKER ou chez un réparateur agréé).
	Le coupe-circuit s'est déclenché.	Disjoncteur à réenclenchement. (Si le disjoncteur du circuit se déclenche régulièrement, cessez immédiatement l'utilisation de l'appareil et faites-le réparer dans un centre d'assistance BLACK+DECKER ou chez un réparateur agréé).
	Le cordon ou l'interrupteur sont endommagés.	Faites remplacer le cordon ou l'interrupteur dans un centre d'assistance BLACK+DECKER ou chez un réparateur agréé.

		BEHTS451 Type 1	BEHTS501 Type 1
Tension	V <sub>CA</sub>	230	230
Puissance absorbée	W	550	600
Course de la lame (à vide)	min <sup>-1</sup>	1870	1840
Longueur de la lame	cm	60	60
Jeu de lame	mm	25	25
Temps de freinage de la lame	s	<1	<1
Coupe maxi de la lame de scie	mm	35	35
Poids	kg	2,65	2,65

## Niveau de pression sonore selon la norme EN 60745 :

Pression sonore au niveau de l'utilisateur (L<sub>PA</sub>) 89 dB(A), incertitude (K) 3,5 dB(A)Niveau de puissance sonore (L<sub>WA</sub>) 98 dB(A), incertitude (K) 2,0 dB(A)

## Valeurs totales des vibrations (somme vectorielle triaxiale) selon la norme EN 60745 :

Valeur des vibrations émises (a<sub>h,D</sub>) < 4,1 m/s<sup>2</sup>, incertitude (K) 2,1 m/s<sup>2</sup>

**Déclaration de conformité CE**  
DIRECTIVES MACHINES  
DIRECTIVE RELATIVE AUX NUISANCES SONORES  
EXTÉRIEURES



Taille-haies BEHTS301, BEHTS401, BEHTS451, BEHTS501

Black & Decker déclare que les produits décrits dans les "Caractéristiques techniques" sont conformes aux normes : EN 60745-1:2009 +A11:2010, EN 60745-2-15:2009 +A1:2010

## Caractéristiques techniques

		BEHTS301 Type 1	BEHTS401 Type 1
Tension	V <sub>CA</sub>	230	230
Puissance absorbée	W	500	500
Course de la lame (à vide)	min <sup>-1</sup>	1850	1835
Longueur de la lame	cm	50	55
Jeu de lame	mm	22	22
Temps de freinage de la lame	s	<1	<1
Coupe maxi de la lame de scie	mm	35	35
Poids	kg	2,47	2,54

2000/14/CE, Taille-haie, Annexe V

Niveau de puissance sonore mesurée (L<sub>WA</sub>) 98 dB(A)  
Incertitude (K) = 2,0 dB(A)Puissance sonore garantie (L<sub>WA</sub>) 100 dB(A)

Ces produits sont également conformes à la Directive 2006/42/CE, 2014/30/UE et 2011/65/UE.

Pour plus de détails, veuillez contacter Black &amp; Decker à l'adresse suivante ou consultez la dernière page du manuel.

Le soussigné est responsable de la compilation des données de la fiche technique et fait cette déclaration au nom de Black & Decker.



A. Smith  
Technical Director  
Black & Decker Europe, 210 Bath Road, Slough,  
Berkshire, SL1 3YD  
Royaume-Uni  
22/01/2019

## Garantie

Black & Decker est sûr de la qualité de ses produits et offre une garantie de 24 mois aux utilisateurs, à partir de la date d'achat. Cette garantie s'ajoute à vos droits légaux auxquels elle ne porte aucunement préjudice. Cette garantie est valable au sein des territoires des États membres de l'Union Européenne et au sein de la Zone européenne de libre-échange.

Pour prétendre à la garantie, la réclamation doit être en conformité avec les conditions générales de Black & Decker et vous devez fournir une preuve d'achat au vendeur ou au réparateur agréé. Les conditions générales de la garantie de 2 ans Black & Decker ainsi que l'adresse du réparateur agréé le plus proche sont disponibles sur le site Internet [www.2helpU.com](http://www.2helpU.com) ou en contactant votre agence Black & Decker locale à l'adresse indiquée dans ce manuel.

Veillez consulter notre site Internet [www.blackanddecker.co.uk](http://www.blackanddecker.co.uk) pour enregistrer votre nouveau produit Black & Decker et pour être tenu informé des nouveaux produits et offres spéciales.

## Usò previsto

I tagliasepi BEHTS301, BEHTS401, BEHTS451, BEHTS501 BLACK+DECKER™ sono stati progettati per il taglio di siepi, arbusti e rovi. Questi utensili sono destinati esclusivamente all'uso privato.

## Istruzioni di sicurezza

### Avvertenze di sicurezza generali per gli elettro-utensili



**Avvertenza!** Leggere attentamente tutte le avvertenze e le istruzioni di sicurezza. La mancata osservanza delle avvertenze e istruzioni elencate di seguito potrebbe dar luogo a scosse elettriche, incendi e/o infortuni gravi.

**Conservare tutte le avvertenze e le istruzioni per consultazioni successive.** Il termine "elettro-utensile" che ricorre in tutte le avvertenze seguenti si riferisce a utensili elettrici alimentati dalla rete (con filo) o a batteria (senza filo).

#### 1. Sicurezza nell'area di lavoro

- Mantenere pulita e bene illuminata l'area di lavoro.** Gli ambienti disordinati o scarsamente illuminati favoriscono gli incidenti.
- Evitare di usare gli elettro-utensili in ambienti esposti a rischio di esplosione, ad esempio in presenza di liquidi, gas o polveri infiammabili.** Gli elettro-utensili generano scintille che possono incendiare le polveri o i fumi.
- Tenere lontani bambini e altre persone presenti mentre si usa un elettro-utensile.** Eventuali distrazioni possono provocare la perdita di controllo dello stesso.

#### 2. Sicurezza elettrica

- Le spine elettriche degli elettro-utensili devono essere adatte alla presa. Non modificare la spina in alcun modo. Non utilizzare spine con adattatore con gli elettro-utensili dotati di messa a terra.** Per ridurre il rischio di scossa elettrica evitare di modificare le spine e utilizzare sempre le prese di corrente appropriate.
- Evitare il contatto fisico con superfici collegate a terra, come tubi, radiatori, forni e frigoriferi.** Se il corpo dell'utilizzatore è collegato a terra, il rischio di scossa elettrica aumenta.
- Non esporre gli elettro-utensili alla pioggia o all'umidità.** Se penetra dell'acqua all'interno dell'elettro-utensile, il rischio di scosse elettriche aumenta.
- Non utilizzare il cavo di alimentazione in modo improprio. Non spostare, tirare o scollegare mai l'elettro-utensile tirandolo dal cavo. Tenere il cavo di alimentazione lontano da fonti di calore, olio, bordi taglienti o parti in movimento.** Se il cavo è danneggiato o impigliato, il rischio di scossa elettrica aumenta.

- e. **Se l'elettrotensile viene utilizzato all'aperto, usare esclusivamente prolunghes omologate per l'impiego all'esterno.** L'uso di un cavo di alimentazione adatto per esterni riduce il rischio di scossa elettrica.
- f. **Se non è possibile evitare di lavorare in una zona umida, usare una rete elettrica protetta da un interruttore differenziale (RCD).** L'uso di un interruttore differenziale riduce il rischio di scossa elettrica.

### 3. Sicurezza delle persone

- a. **È importante concentrarsi su ciò che si sta facendo e maneggiare con giudizio l'elettrotensile. Non utilizzare un elettrotensile quando si è stanchi o sotto l'effetto di droghe, alcool o medicinali.** Un solo attimo di distrazione durante l'uso dell'elettrotensile potrebbe provocare gravi lesioni personali.
- b. **Usare dispositivi di protezione individuale. Indossare sempre dispositivi di sicurezza per gli occhi.** L'uso di dispositivi di protezione, quali mascherine antipolvere, scarpe antinfortunistiche antiscivolo, elmetti o protezioni auricolari, in condizioni opportune consente di ridurre le lesioni personali.
- c. **Impedire l'avviamento involontario. Accertarsi che l'interruttore di accensione sia in posizione "off" (spento), prima di collegare l'elettrotensile alla rete elettrica e/o alla batteria, di prenderlo in mano o di trasportarlo.** Per non esporsi al rischio di incidenti, non trasportare l'elettrotensile tenendo le dita sull'interruttore e non collegarlo a una fonte di alimentazione elettrica con l'interruttore acceso.
- d. **Prima di accendere un elettrotensile, togliere eventuali utensili o chiavi di regolazione.** Un utensile di regolazione o una chiave fissati su una parte rotante dell'elettrotensile può provocare lesioni a persone.
- e. **Non sbilanciarsi. Mantenere sempre un appoggio e un equilibrio adeguati.** In tal modo è possibile mantenere un migliore controllo dell'elettrotensile nelle situazioni impreviste.
- f. **Vestirsi adeguatamente. Non indossare abiti lenti o gioielli. Tenere i capelli, i vestiti e i guanti lontano dalle parti mobili.** Abiti larghi, gioielli o capelli lunghi possono impigliarsi nelle parti in movimento.
- g. **Se gli elettrotensili sono provvisti di attacchi per il collegamento di dispositivi di aspirazione o di raccolta della polvere, assicurarsi che questi siano installati e utilizzati correttamente.** L'impiego di dispositivi per la raccolta delle polveri può ridurre i pericoli legati a queste ultime.

### 4. Uso e cura dell'elettrotensile

- a. **Non sovraccaricare l'elettrotensile. Utilizzare l'elettrotensile adatto per il lavoro da eseguire.**

L'elettrotensile corretto funziona meglio e in modo più sicuro, se utilizzato alla velocità per cui è stato progettato.

- b. **Non utilizzare l'elettrotensile se l'interruttore è difettoso.** Qualsiasi elettrotensile che non possa essere controllato tramite l'interruttore è pericoloso e deve essere riparato.
- c. **Scollegare la spina dalla presa di corrente e/o la batteria dall'elettrotensile prima di regolarlo, sostituirne gli accessori o riporlo in magazzino.** Queste misure di sicurezza preventive riducono il rischio di azionare l'elettrotensile accidentalmente.
- d. **Quando non vengono usati, gli elettrotensili devono essere custoditi fuori dalla portata dei bambini. Non consentire l'uso dell'elettrotensile a persone inesperte o che non abbiano letto le presenti istruzioni d'uso.** Gli elettrotensili sono pericolosi in mano a persone inesperte.
- e. **Sottoporre gli elettrotensili a regolare manutenzione. Verificare che le parti mobili siano correttamente allineate e non inceppate, che non vi siano componenti rotti e che non sussistano altre condizioni che possono compromettere il funzionamento dell'elettrotensile. Se danneggiato, far riparare l'elettrotensile prima dell'uso.** Molti incidenti sono provocati da elettrotensili non sottoposti a corretta manutenzione.
- f. **Mantenere affilati e puliti gli utensili da taglio.** La manutenzione corretta degli utensili da taglio con bordi affilati riduce le probabilità di inceppamento e ne facilita il controllo.
- g. **Utilizzare l'elettrotensile, gli accessori, le punte, ecc. in conformità alle presenti istruzioni, tenendo conto delle condizioni operative e del lavoro da eseguire.** L'utilizzo dell'elettrotensile per impieghi diversi da quelli previsti può dare luogo a situazioni di pericolo.

### 5. Assistenza

- a. **Fare riparare l'elettrotensile esclusivamente da personale specializzato e solo utilizzando pezzi di ricambio originali.** In questo modo sarà possibile mantenere la sicurezza dell'elettrotensile.

### Altre avvertenze di sicurezza riguardanti gli elettrotensili



**Avvertenza!** Ulteriori avvertenze di sicurezza valide per i tagliasepi

- ◆ **Tenere ogni parte del corpo lontana dalla lama. Non rimuovere i rami tagliati e non tenere con le mani il ramo da potare quando le lame sono in movimento. Accertarsi che l'interruttore sia spento nel caso in cui si debba rimuovere materiale inceppato. Un attimo di**

distrazione durante l'uso dell'elettrotensile può causare gravi infortuni personali.

- ◆ **Trasportare il tagliaiepi dall'impugnatura con la lama ferma. Quando si trasporta o si ripone il tagliaiepi coprire sempre le lame con il rispettivo coprilama.** Un utilizzo corretto del tagliaiepi riduce il rischio di lesioni personali causate dalle lame.
- ◆ **Afferrare il tagliaiepi solo dall'impugnatura dotata di superfici isolanti, poiché la lama potrebbe accidentalmente toccare cavi nascosti o il filo di alimentazione dell'elettrotensile stesso.** Il contatto tra le lame e un filo sotto tensione, mette sotto tensione anche le parti metalliche esposte dell'elettrotensile esponendo l'operatore a scosse elettriche.
- ◆ **Tenere il cavo lontano dalla zona di taglio.** Durante l'uso del tagliaiepi il cavo potrebbe essere nascosto tra gli arbusti ed è facile tagliarlo accidentalmente con le lame.
- ◆ L'uso previsto è indicato nel presente manuale. Se questo elettrotensile viene usato con accessori o per usi diversi da quelli raccomandati nel presente manuale d'uso, si potrebbero verificare lesioni personali e/o danni alle cose.
- ◆ Se non si è mai usato un tagliaiepi in precedenza, è preferibile chiedere a un utente esperto una dimostrazione pratica oltre che studiare il presente manuale.
- ◆ Non toccare mai le lame quando l'elettrotensile è in funzione.
- ◆ Non tentare mai di fermare le lame in maniera forzata.
- ◆ Non appoggiare l'elettrotensile fino a quando le lame non si sono completamente arrestate.
- ◆ Controllare regolarmente che le lame non siano danneggiate e usurate. Non usare l'elettrotensile quando le lame sono danneggiate.
- ◆ Prestare attenzione a evitare oggetti duri (come ad esempio, filo metallico o inferrate) mentre si pota. Se si dovesse accidentalmente colpire un oggetto di questo tipo, spegnere immediatamente l'elettrotensile e controllare se ha subito danni.
- ◆ Se l'elettrotensile dovesse cominciare a vibrare in modo anomalo, spegnerlo immediatamente, scollegarlo dalla presa di corrente e controllare se vi sono danni.
- ◆ Se l'elettrotensile si blocca, spegnerlo immediatamente. Scollegarlo dalla presa di corrente prima di tentare di eliminare eventuali inceppamenti.
- ◆ Dopo l'uso, infilare sulle lame il coprilama fornita in dotazione. Riporre l'elettrotensile, verificando che la lama non sia esposta.
- ◆ Controllare sempre che tutte le protezioni siano montate quando si usa l'elettrotensile. Non tentare mai di usare un elettrotensile non completo o che abbia subito modifiche non autorizzate.
- ◆ Non permettere mai ai bambini di usare l'elettrotensile.

- ◆ Essere consapevoli della possibilità di caduta di pezzi tagliati dai lati più alti di una siepe.
- ◆ Tenere sempre l'elettrotensile con entrambe le mani e mediante le impugnature previste.

### Rischi residui

L'utilizzo dell'elettrotensile può comportare rischi residui non necessariamente riportati nelle presenti avvertenze di sicurezza. Tali rischi possono sorgere a seguito di un uso prolungato o improprio, ecc.

Malgrado il rispetto delle norme di sicurezza pertinenti e l'implementazione di dispositivi di sicurezza, alcuni rischi residui non possono essere evitati. Sono inclusi:

- ◆ lesioni causate o subite a seguito del contatto con parti rotanti/in movimento;
- ◆ lesioni causate o subite durante la sostituzione di parti, lame o accessori;
- ◆ lesioni causate dall'impiego prolungato di un utensile (quando si utilizza qualsiasi apparecchio per lunghi periodi, accertarsi di fare regolarmente delle pause);
- ◆ menomazioni uditive;
- ◆ rischi per la salute causati dall'aspirazione di polvere generata dall'utilizzo dell'elettrotensile (ad esempio, quando si lavora con il legno, in modo particolare quello di quercia, faggio o l'MDF).

### Vibrazioni

I valori dichiarati delle emissioni di vibrazioni al paragrafo Dati tecnici e nella Dichiarazione di conformità del presente manuale sono stati misurati in base al metodo di test standard previsto dalla normativa EN 60745 e possono essere usati come parametri di confronto tra due utensili. Il valore delle emissioni di vibrazioni dichiarato può anche essere usato come valutazione preliminare dell'esposizione.

**Avvertenza!** Il valore delle emissioni di vibrazioni durante l'impiego effettivo dell'elettrotensile può variare da quello dichiarato a seconda delle modalità d'uso. Il livello delle vibrazioni può aumentare oltre quello dichiarato.

Quando si valuta l'esposizione alle vibrazioni per determinare le misure di sicurezza richieste dalla normativa 2002/44/CE destinata alla protezione delle persone che utilizzano regolarmente elettrotensili per lo svolgimento delle proprie mansioni, è necessario prendere in considerazione le condizioni effettive di utilizzo e il modo in cui l'elettrotensile viene usato, oltre che tenere conto di tutte le componenti del ciclo operativo, vale a dire i periodi in cui l'elettrotensile rimane spento, quelli in cui è acceso ma fermo e quelli in cui viene effettivamente utilizzato.

## Etichette sull'elettrotensile

Sull'elettrotensile sono presenti i seguenti simboli assieme al codice data:



**Avvertenza!** Per ridurre il rischio di lesioni personali, l'operatore deve leggere il manuale d'uso.



Indossare occhiali di sicurezza quando si usa l'elettrotensile.



Indossare otoprotezioni quando si usa l'elettrotensile.



Scollegare immediatamente il cavo dalla rete di alimentazione se danneggiato o tagliato.



Non esporre l'elettrotensile alla pioggia o a un'umidità intensa.



Livello di pressione acustica garantito ai sensi della Direttiva 2000/14/CE.

## Sicurezza elettrica



Il doppio isolamento di cui è provvisto l'elettrotensile rende superfluo il filo di terra. Assicurarsi che la tensione della rete di alimentazione corrisponda al valore indicato sulla targhetta dei valori nominali.

- ◆ In caso di danneggiamento del cavo di alimentazione, farlo riparare dal fabbricante o presso un centro assistenza BLACK+DECKER autorizzato in modo da evitare pericoli.
- ◆ Quando si lavora con l'elettrotensile all'aperto, utilizzare esclusivamente cavi di prolunga per uso esterno. È possibile usare un cavo di prolunga BLACK+DECKER di valore nominale corretto lungo fino a 30 metri, senza che si verifichi una perdita di potenza.
- ◆ La sicurezza elettrica può essere ulteriormente aumentata utilizzando un interruttore differenziale (RCD) ad alta sensibilità (30 mA).

## Caratteristiche

Questo apparecchio presenta alcune o tutte le seguenti caratteristiche.

1. Lama
2. Protezione
3. Impugnatura ausiliaria
4. Pulsante di blocco di sicurezza
5. Grilletto di azionamento
6. Impugnatura con interruttore
7. Fermacavo
8. Lama tipo sega
9. Pattino della lama tipo sega

## Assemblaggio

**Avvertenza!** Prima del montaggio, controllare che l'elettrotensile sia spento e scollegato dalla presa di corrente e che il coprilama sia infilato sulle lame.

## Fissaggio della protezione ai tagliasiepi (Fig. A e B)

Il tagliasiepi viene fornito con la protezione smontata. Per montare la protezione:

- ◆ Rimuovere la vite di fissaggio della lama 10 con una cacciavite a stella (non fornito).
- ◆ Sistemare la protezione in posizione, come illustrato nella Fig. A, incastrando le fessure della protezione nelle scanalature sull'unità.
- ◆ Inserire la vite di fissaggio della protezione 10 nell'apertura sul lato della protezione e serrarla saldamente, come illustrato nella Fig. B.

**Avvertenza!** Utilizzare solo con l'impugnatura e la protezione correttamente montate al tagliasiepi. L'utilizzo del tagliasiepi senza la protezione o impugnatura in dotazione può provocare lesioni personali gravi.

## Attacco del cavo di prolunga ai tagliasiepi (Fig. C)

Nella parte posteriore dell'impugnatura con l'interruttore (6) è incorporato un fermacavo (7).

- ◆ in prossimità dell'estremità del cavo di prolunga, piegare il cavo in modo da creare un cappio.
- ◆ Infilare il cappio nell'alloggiamento fermacavo (11), come illustrato nella Fig. C.
- ◆ Agganciare l'anello al fermacavo (7) in modo che resti fissato allo stesso.
- ◆ Collegare il cavo di prolunga nell'unità.

## Posizionamento corretto delle mani (Fig. D)

Tenere sempre il tagliasiepi, come mostrato nelle illustrazioni di questo manuale, con una mano sull'impugnatura con l'interruttore e l'altra mano sull'impugnatura ausiliaria (Fig. D). Non tenere mai l'unità per la protezione della lama.

## Utilizzo

**Avvertenza!** Lasciare che l'elettrotensile funzioni al suo ritmo. Non sovraccaricarlo.

## Accensione e spegnimento

**Nota:** Questo elettrotensile è dotato di un sistema a doppio interruttore per la sicurezza dell'operatore. Tale sistema impedisce di accendere inavvertitamente l'elettrotensile e ne consente l'uso solo quando è tenuto con entrambe le mani.



**Accensione (Fig. E)**

- ◆ Per accendere l'utensile, premere l'interruttore sull'impugnatura ausiliaria (4) all'indietro e il grilletto di azionamento sull'impugnatura principale (5). Per mantenere l'unità in funzione è necessario continuare a premere entrambi gli interruttori. Per spegnere l'unità, rilasciare l'interruttore sull'impugnatura ausiliaria o il grilletto di azionamento.

**Avvertenza!** Non tentare mai di bloccare un interruttore su acceso.

- ◆ Oliare regolarmente le lame.

**Consigli per il taglio****Cavo di prolunga (Fig. F)**

- ◆ Mantenere sempre il cavo di prolunga dietro al taglia siepi e lontano dall'area di esecuzione del taglio, come illustrato nella Figure F. Non appoggiarlo mai su una siepe da tagliare. Nel caso in cui il cavo venga tagliato o danneggiato, scollegarlo immediatamente dalla presa elettrica, prima di ispezionarlo o ripararlo.

**Posizione di lavoro**

- ◆ Mantenere un appoggio e l'equilibrio e non sbilanciarsi.
- ◆ Durante la potatura indossare occhiali protettivi e calzature antiscivolo.
- ◆ Tenere l'elettrotensile saldamente con entrambe le mani e accenderlo. Tenere sempre il taglia siepi, come illustrato nella Fig. D, con una mano sull'impugnatura con l'interruttore e l'altra mano sull'impugnatura ausiliaria. Non tenere mai l'elettrotensile per la protezione della lama.

**Taglio di rami nuovi (Fig. G)**

- ◆ Un movimento ampio da un lato all'altro infilando i denti della lama attraverso i rami è più efficace. Una leggera inclinazione verso il basso della lama, nella direzione del moto dà il taglio migliore.

**Avvertenza!** Non utilizzare il taglia siepi per tagliare tronchi di diametro superiore a 16 mm, ma solo gli arbusti che si trovano normalmente nei giardini di abitazioni e altri edifici.

**Taglio di siepi a un'altezza uniforme (Fig. H)**

- ◆ Per ottenere siepi con un'altezza perfettamente uniforme è possibile tirare una corda per tutta la lunghezza della siepe come guida.

**Taglio laterale delle siepi (Fig. I)**

- ◆ Iniziare a tagliare dal basso e procedere verso l'alto.

**Lama tipo sega (Fig. J)**

- ◆ Per i rami troppo grandi per essere tagliati con la lama (1), utilizzare la lama tipo sega (8). Posizionare la lama tipo

sega il più vicino possibile al fondo del ramo. Posizionare il pattino della lama tipo sega (9) contro il ramo. Accendere il taglia siepi come descritto di sopra, consentendo all'elettrotensile di funzionare alla sua velocità finché il ramo non viene completamente tagliato.

Le lame sono realizzate in acciaio temprato di alta qualità e con l'uso normale non richiedono di essere riaffilate. Tuttavia, se vengono colpite accidentalmente una recinzione metallica (Fig. L) oppure sassi, oggetti di vetro o altri oggetti duri, è possibile che si crei un graffio sulla lama. Non è necessario eliminare questo graffio purché non interferisca con il movimento della lama. In tal caso, scollegare il cavo di alimentazione e rimuovere il graffio con una lima a denti fini o una pietra per affilare. In caso di caduta del taglia siepi, ispezionarlo per verificare la presenza di danni. Se la lama è piegata, l'alloggiamento incrinato, le impugnature rotte o se si nota qualsiasi altra condizione che potrebbe compromettere il funzionamento del taglia siepi, contattare il centro di assistenza BLACK+DECKER locale per le riparazioni prima di rimetterlo in uso.

I fertilizzanti e gli altri prodotti chimici usati in giardino contengono sostanze che velocizzano notevolmente la corrosione dei metalli. Non conservare l'unità su o accanto ai fertilizzanti o sostanze chimiche.

**Accessori**

Le prestazioni dell'elettrotensile dipendono dall'accessorio usato. Gli accessori BLACK+DECKER sono stati fabbricati in base a standard qualitativi elevati e sono stati progettati per ottenere le migliori prestazioni dall'elettrotensile. Utilizzando questi accessori si otterrà il meglio dall'elettrotensile.

**Manutenzione**

Questo elettrodomestico/elettrotensile BLACK+DECKER, con o senza filo, è stato progettato per funzionare a lungo con una manutenzione minima. Prestazioni sempre soddisfacenti dipendono da una cura appropriata e da una pulizia regolare. L'olio lubrificante è reperibile presso il rivenditore BLACK+DECKER (n. cat. A6102-XJ).

**Avvertenza!** Prima di eseguire interventi di manutenzione su elettrotensili con o senza filo procedere come descritto di seguito.

- ◆ Spegner e scollegare l'apparecchio/elettrotensile dalla presa di corrente.
- ◆ Oppure spegnere ed estrarre la batteria se l'apparecchio/elettrotensile è dotato di una batteria separata.
- ◆ Oppure scaricare completamente la batteria se è di tipo integrale, quindi spegnere l'apparecchio/elettrotensile.
- ◆ Scollegare il caricabatterie dalla presa di corrente prima di pulirlo. Il caricabatterie non richiede nessuna manutenzione, salvo una regolare pulizia.

- ◆ Pulire regolarmente le prese di ventilazione dell'apparecchio/elettrotensile / del caricabatterie con un pennello o con un panno morbido e asciutto.
- ◆ Il vano del motore deve essere pulito periodicamente con un panno umido. Non usare materiali abrasivi o detergenti a base di solventi.
- ◆ Dopo l'uso, pulire con attenzione le lame. Dopo la pulitura, stendere un velo di olio per macchinari leggero per impedire alle lame di arrugginirsi.

## Protezione dell'ambiente



Raccolta differenziata. I prodotti e le batterie contrassegnate con questo simbolo non devono essere smaltiti con i rifiuti domestici normali.

Essi contengono materiali che possono essere recuperati o riciclati riducendo la richiesta di materie prime.

Riciclare i prodotti elettrici e le batterie attenendosi alle disposizioni locali vigenti. Ulteriori informazioni sono disponibili all'indirizzo [www.2helpU.com](http://www.2helpU.com)

## Risoluzione dei problemi

Problema	Possibile causa	Possibile soluzione
Lame lente, rumorose o bollenti.	Lame asciutte e corrose.  Lama o supporto della lama piegato.  Denti piegati o danneggiati.  Allentare i bulloni della lama.	Lubrificare le lame.  Raddrizzare la lama o il supporto della lama.  Raddrizzare i denti.  Serrare i bulloni di fissaggio della lama.
L'unità non parte.	Pulsante di blocco di sicurezza non completamente azionato.  Il cavo non è inserito.  Il fusibile del circuito è saltato.  L'interruttore differenziale è scattato.  Il cavo o l'interruttore è danneggiato.	Verificare se il pulsante di sicurezza è completamente premuto prima di muovere il grilletto principale.  Collegare il caricabatterie a una presa di corrente funzionante.  Sostituire il fusibile del circuito (se il fusibile si brucia ripetutamente, interrompere immediatamente l'uso dell'elettrotensile e portarlo a riparare presso un centro di assistenza BLACK+DECKER o un centro riparazioni autorizzato.)  Reimpostare l'interruttore differenziale (se l'interruttore differenziale scatta ripetutamente, non utilizzare più la radio e portarla a un centro di assistenza BLACK+DECKER o a un centro riparazioni autorizzato.)  Far sostituire il cavo di alimentazione o l'interruttore presso un centro di assistenza BLACK+DECKER o un centro riparazioni autorizzato.

## Dati tecnici

		BEHTS301 Tipo 1	BEHTS401 Tipo 1
Tensione	V <sub>AC</sub>	230	230
Potenza assorbita	W	500	500
Corse della lama (senza carico)	min <sup>-1</sup>	1850	1835
Lunghezza lama	cm	50	55
Distanza lama	mm	22	22
Tempo di frenatura lama	s	<1	<1
Taglio max lama tipo sega	mm	35	35
Peso	kg	2,47	2,54

		BEHTS451 Tipo 1	BEHTS501 Tipo 1
Tensione	V <sub>AC</sub>	230	230
Potenza assorbita	W	550	600
Corse della lama (senza carico)	min <sup>-1</sup>	1870	1840
Lunghezza lama	cm	60	60
Distanza lama	mm	25	25
Tempo di frenatura lama	s	<1	<1
Taglio max lama tipo sega	mm	35	35
Peso	kg	2,65	2,65

### Livello di pressione sonora misurato in base a EN 60745:

Pressione sonora nella posizione dell'utilizzatore (L<sub>pa</sub>) 89 dB(A), incertezza (K) 3,5 dB(A)

Potenza acustica (L<sub>wa</sub>) 98 dB(A), incertezza (K) 2,0 dB(A)

### Valori di emissione totali di vibrazioni (somma vettoriale triassiale) in conformità alla norma EN 60745:

Valore di emissione vibrazioni (a<sub>n,ct</sub>) 4,1 m/s<sup>2</sup>, incertezza (K) 2,1 m/s<sup>2</sup>

## Dichiarazione di conformità CE

DIRETTIVA MACCHINE  
DIRETTIVA SULLA RUMOROSITÀ ESTERNA



Tagliasiepi BEHTS301, BEHTS401, BEHTS451, BEHTS501

Black & Decker dichiara che i prodotti descritti al capitolo "Dati tecnici" sono conformi alle seguenti norme:  
EN 60745-1:2009 +A11:2010, EN 60745-2-15:2009 +A1:2010

2000/14/CE, tagliasiepi, Allegato V  
Pressione sonora misurata (L<sub>wa</sub>) 98 dB(A)  
Incertezza (K) 2,0 dB(A)  
Pressione sonora garantita (L<sub>wa</sub>) 100 dB(A)

Questi prodotti sono anche conformi alla direttiva 2006/42/EC, 2014/30/CE e 2011/65/EU.

Per maggiori informazioni contattare Black & Decker al seguente indirizzo oppure consultare l'ultima di copertina del manuale.

Il sottoscritto è responsabile della redazione di questo documento tecnico e rilascia questa dichiarazione per conto di Black & Decker.



A. Smith  
Technical Director  
Black & Decker Europe, 210 Bath Road, Slough,  
Berkshire, SL1 3YD  
Regno Unito  
22/01/2019

## Garanzia

Black & Decker è certa della qualità dei propri prodotti e offre ai consumatori una garanzia di 24 mesi dalla data di acquisto. Il presente certificato di garanzia è complementare ai diritti legali e non li pregiudica in alcun modo. La garanzia è valida sui territori degli Stati membri dell'Unione Europea e dell'EFTA (Associazione europea di libero scambio).

Per attivare la garanzia, il reclamo deve essere effettuato in accordo con i Termini e Condizioni Black & Decker e sarà necessario presentare la prova di acquisto al venditore o all'agente di riparazione autorizzato. I Termini e condizioni della garanzia Black & Decker di 2 anni e la sede del tecnico riparatore autorizzato più vicino sono consultabili su Internet all'indirizzo [www.2helpU.com](http://www.2helpU.com), o contattando l'ufficio Black & Decker di zona all'indirizzo postale indicato in questo manuale.

Visitare il nostro sito [www.blackanddecker.it](http://www.blackanddecker.it) per registrare il prodotto Black & Decker appena acquistato e ricevere gli aggiornamenti su nuovi prodotti e offerte speciali.

## Bedoeld gebruik

De BLACK+DECKER™-heggenscharen van het type BEHTS301, BEHTS401, BEHTS451, BEHTS501 zijn ontworpen voor het snoeien van heggen, heesters en braamstruiken. Dit gereedschap is uitsluitend bestemd voor gebruik door consumenten.

## Veiligheidsinstructies

### Algemene veiligheidswaarschuwingen voor elektrisch gereedschap



**Waarschuwing!** Lees alle veiligheidsinstructies en alle instructies. Wanneer de volgende waarschuwingen en voorschriften niet in acht worden genomen, kan dit een elektrische schok, brand of ernstig letsel tot gevolg hebben.

**Bewaar alle waarschuwingen en instructies als referentiemateriaal.** Het in de waarschuwingen gebruikte begrip 'elektrisch gereedschap' heeft betrekking op elektrisch gereedschap voor gebruik op de netspanning (met netsnoer) of op accu (snoerloos).

#### 1. Veilige werkomgeving

- a. **Houd uw werkomgeving schoon en goed verlicht.** Op rommelige of donkere plekken zullen sneller ongelukken gebeuren.
- b. **Werk niet met elektrisch gereedschap in een omgeving met explosiegevaar, zoals in de nabijheid van brandbare vloeistoffen, gasen of stof.** Elektrisch gereedschap veroorzaakt vonken die het stof of de dampen kunnen doen ontbranden.
- c. **Houd kinderen en omstanders tijdens het gebruik van elektrisch gereedschap op afstand.** Als u wordt afgeleid, kunt u de controle over het gereedschap verliezen.

#### 2. Elektrische veiligheid

- a. **De netstekker van het elektrisch gereedschap moet in het stopcontact passen. Pas de stekker nooit op enige manier aan. Gebruik geen adapterstekkers in combinatie met geaard elektrisch gereedschap.** Niet-aangepaste stekkers en passende contactdozen verminderen het risico van een elektrische schok.
- b. **Vermijd aanraking van het lichaam met geaarde oppervlakken, bijvoorbeeld buizen, verwarmingen, fornuizen en koelkasten.** Er bestaat een verhoogd risico van een elektrische schok als uw lichaam contact heeft met aarde.
- c. **Stel elektrisch gereedschap niet bloot aan regen en vocht.** Als er water in een elektrisch gereedschap dringt, verhoogt dit het risico van een elektrische schok.

- d. **Behandel het snoer voorzichtig. Gebruik het snoer nooit om het elektrische gereedschap te dragen of naar u toe te trekken, of de stekker uit het stopcontact te halen. Houd het snoer uit de buurt van warmtebronnen, olie, scherpe randen, of bewegende onderdelen.** Beschadigde snoeren of snoeren die in de war zijn geraakt, verhogen het risico van een elektrische schok.
- e. **Gebruik, wanneer u buitenshuis met elektrisch gereedschap werkt, alleen verlengsnoeren die zijn goedgekeurd voor gebruik buitenshuis.** Het gebruik van een verlengsnoer dat geschikt is voor buiten vermindert het risico van een elektrische schok.
- f. **Als u met elektrisch gereedschap werkt op een vochtige locatie, gebruik dan een aardlekschakelaar (RCD).** Het gebruik van een aardlekschakelaar vermindert het risico van een elektrische schok.
- 3. Persoonlijke veiligheid**
- a. **Blijf alert, let goed op wat u doet en ga met verstand te werk bij het gebruik van elektrische gereedschap. Gebruik elektrisch gereedschap niet als u vermoeid bent of onder de invloed van drugs, alcohol of medicatie bent.** Een moment van onoplettendheid tijdens het werken met elektrisch gereedschap kan leiden tot ernstig persoonlijk letsel.
- b. **Draag persoonlijke beschermende uitrusting. Draag altijd oogbescherming.** Beschermende uitrusting, zoals een stofmasker, antislip veiligheidsschoenen, een helm, of gehoorbescherming, gebruikt in de juiste omstandigheden, zal het risico op persoonlijk letsel verminderen.
- c. **Voorkom per ongeluk inschakelen. Controleer dat de schakelaar in de uit-stand staat voordat u het gereedschap aansluit op het stopcontact en/of de accu plaatst en voordat u het gereedschap optilt of gaat dragen.** Het dragen van elektrisch gereedschap met uw vinger op de schakelaar of het aanzetten van elektrisch gereedschap waarvan de schakelaar aan staat, kan leiden tot ongelukken.
- d. **Verwijder instelgereedschap of schroefslutels voordat u het elektrisch gereedschap inschakelt.** Een steeksleutel of een inbussleutel in een draaiend deel van het elektrisch gereedschap kan tot persoonlijk letsel leiden.
- e. **Reik niet buiten uw macht. Blijf altijd stevig en in balans op de grond staan.** Dit geeft u betere controle over het elektrisch gereedschap in onverwachte situaties.
- f. **Draag geschikte kleding. Draag geen loszittende kleding of sieraden. Houd uw haar, kleding en handschoenen uit de buurt van bewegende onderdelen.** Loszittende kleding, sieraden of lang haar kunnen door bewegende delen worden gegrepen.
- g. **Als voorzieningen voor stofafzuiging of stofopvang kunnen worden gemonteerd, controleer dan dat deze zijn aangesloten en op de juiste wijze worden gebruikt.** Het gebruik van stofafzuiging kan aan stof gerelateerde gevaren verminderen.
- 4. Gebruik en onderhoud van elektrisch gereedschap**
- a. **Overbelast het elektrisch gereedschap niet. Gebruik het juiste elektrisch gereedschap voor uw toepassing.** Met het juiste elektrisch gereedschap kunt u de werkzaamheden waarvoor het gereedschap is ontworpen, beter en veiliger uitvoeren.
- b. **Gebruik het elektrisch gereedschap niet als de schakelaar niet goed werkt.** Ieder elektrisch gereedschap dat niet met de schakelaar kan worden bediend, is gevaarlijk en moet worden gerepareerd.
- c. **Trek de stekker uit het stopcontact en/of de accu uit het elektrisch gereedschap voordat u het gereedschap instelt, accessoires wisselt of het elektrisch gereedschap opbergt.** Dergelijke preventieve veiligheidsmaatregelen verminderen het risico dat het elektrisch gereedschap per ongeluk wordt gestart.
- d. **Bewaar elektrisch gereedschap dat niet wordt gebruikt, buiten bereik van kinderen. Laat niet personen die er niet vertrouwd mee zijn en deze aanwijzingen niet hebben gelezen met het gereedschap werken.** Elektrisch gereedschap is gevaarlijk in handen van ongetrainde gebruikers.
- e. **Onderhoud het gereedschap goed. Controleer dat bewegende delen van het elektrisch gereedschap wel goed functioneren en niet klemmen, en dat er niet onderdelen zodanig zijn gebroken of beschadigd dat de werking van het gereedschap nadelig wordt beïnvloed. Laat het gereedschap voor gebroek repareren als het beschadigd is.** Veel ongelukken worden veroorzaakt door slecht onderhouden elektrisch gereedschap.
- f. **Houd zaag- en snijgereedschap scherp en schoon.** Goed onderhouden zaaggereedschap met scherpe snijvlakken loopt minder snel vast en is gemakkelijker onder controle te houden.
- g. **Gebruik elektrisch gereedschap, accessoires, zaagjes en boortjes, enz., volgens deze aanwijzingen. Let daarbij op de arbeidsomstandigheden en de uit te voeren werkzaamheden.** Gebruik van het elektrisch gereedschap voor werkzaamheden die anders zijn dan bedoeld, kan leiden tot een gevaarlijke situatie.
- 5. Service**
- a. **Laat het gereedschap alleen repareren door gekwalificeerd en vakkundig personeel en alleen met originele vervangingsonderdelen.** De veiligheid van het gereedschap blijft dan gewaarborgd.

## Aanvullende veiligheidswaarschuwingen voor elektrisch gereedschap



**Waarschuwing!** Aanvullende veiligheidswaarschuwingen voor heggenscharen

- ◆ **Houd lichaamsdelen uit de buurt van het snijblad.** Verwijder geen gesneden materiaal en houd niets vast dat moet worden gesneden wanneer de bladen in beweging zijn. Zorg dat de schakelaar uit staat wanneer u vastgelopen materiaal verwijderd. Een moment van onoplettendheid bij het gebruik van het gereedschap kan leiden tot ernstige verwondingen.
- ◆ **Houd de heggenschaar bij de handgreep vast terwijl het maaiblad stilstaat. Plaats altijd de afdekkap over de heggenschaar wanneer u de heggenschaar vervoert of opbergt.** Wanneer de heggenschaar op de juiste manier wordt behandeld, verkleint u de kans op persoonlijk letsel door de snijbladen.
- ◆ **Houd het gereedschap alleen vast bij de geïsoleerde greppoppervlakken, omdat het snijblad met verborgen bedrading of het eigen snoer in aanraking kan komen.** Als een snoer onder spanning wordt geraakt met de snijbladen, komen onbedekte metalen onderdelen van het gereedschap onder spanning te staan en kunt u een elektrische schok krijgen.
- ◆ **Houd het snoer uit de buurt van het knipgebied.** Tijdens de werkzaamheden kan het snoer in de struiken verborgen raken en per ongeluk door de snijbladen worden doorgesneden.
- ◆ Het bedoeld gebruik wordt beschreven in deze instructiehandleiding. Het gebruik van andere accessoires of hulpstukken, dan wel de uitvoering van andere handelingen met dit gereedschap dan in deze gebruikershandleiding worden aanbevolen, kan tot persoonlijk letsel en/of schade aan eigendom leiden.
- ◆ Als u nog niet eerder een heggenschaar heeft gebruikt, lees dan deze handleiding door, maar vraag ook advies en praktische informatie aan een ervaren gebruiker.
- ◆ Raak nooit de bladen aan terwijl het gereedschap in werking is.
- ◆ Probeer nooit de bladen tot stilstand te dwingen.
- ◆ Leg het gereedschap pas neer wanneer de bladen volledig tot stilstand zijn gekomen.
- ◆ Controleer de bladen regelmatig op beschadiging en slijtage. Het gereedschap mag niet worden gebruikt wanneer de bladen beschadigd zijn.
- ◆ Blijf tijdens het maaien vooral uit de buurt van harde voorwerpen (bijv. metalen draad, relingen). Als u per ongeluk op dergelijk materiaal stuit, schakel het gereedschap dan onmiddellijk uit en controleer het op schade.
- ◆ Gaat het gereedschap op abnormale wijze trillen, schakel het dan onmiddellijk uit, koppel het los van de netspanning, en controleer het op schade.

- ◆ Schakel het gereedschap onmiddellijk uit, als het vastloopt. Koppel het gereedschap los van de netspanning voordat u eventuele obstakels probeert te verwijderen.
- ◆ Plaats na gebruik de meegeleverde kap over de bladen. Let er, wanneer u het gereedschap opbergt, vooral goed op dat het blad niet onbedekt is.
- ◆ Let er altijd goed op dat alle beschermkappen zijn gemonteerd wanneer u het apparaat gebruikt. Probeer nooit een incompleet apparaat te gebruiken of een apparaat waarop ongeoorloofde wijzigingen zijn aangebracht.
- ◆ Laat nooit kinderen het gereedschap gebruiken.
- ◆ Houd rekening met vallend snoeiafval wanneer u de hogere gedeelten van een heg snoeit.
- ◆ Houd het gereedschap altijd met beide handen aan de handgrepen vast.

### Overige risico's

Er kunnen zich bij het gebruik van dit gereedschap nog meer risico's voordoen, die mogelijk niet in de bijgesloten veiligheidswaarschuwingen worden beschreven. Deze risico's kunnen zich voordoen door onoordeelkundig gebruik, langdurig gebruik, enz.

Zelfs wanneer de veiligheidsvoorschriften in acht worden genomen en de veiligheidsvoorzieningen worden gebruikt, kunnen bepaalde risico's niet worden uitgesloten. Dit zijn onder meer:

- ◆ Verwondingen die worden veroorzaakt door het aanraken van draaiende/bewegende onderdelen.
- ◆ Verwondingen die worden veroorzaakt bij het vervangen van onderdelen, zaagbladen of accessoires.
- ◆ Verwondingen die worden veroorzaakt door langdurig gebruik van gereedschap. Wanneer u langere periodes met de machine werkt, kunt u het beste regelmatig een pauze nemen.
- ◆ Gehoorbeschadiging.
- ◆ Gezondheidsrisico's door het inademen van stof dat vrijkomt bij gebruik van uw gereedschap (bijv.: het werken met hout, vooral eiken, beuken en MDF.)

### Trillingen

De aangegeven waarden voor trillingsemisatie in de technische gegevens en de conformiteitsverklaring zijn gemeten conform een standaardtestmethode die door EN 60745 wordt geboden. Hiermee kan het ene gereedschap met het andere worden vergeleken. De aangegeven waarde voor trillingsemisatie kan ook worden gebruikt bij een voorlopige bepaling van blootstelling.

**Waarschuwing!** De waarde voor trillingsemisatie tijdens het werkelijke gebruik van het elektrisch gereedschap kan verschillen van de aangegeven waarde afhankelijk van de manieren waarop het gereedschap wordt gebruikt. Het trilling-sniveau kan toenemen tot boven het aangegeven niveau.

Bij beoordeling van de blootstelling aan trillingen met het doel vast te stellen welke veiligheidsmaatregelen 2002/44/EG vereist ter bescherming van personen die tijdens hun werk regelmatig elektrisch gereedschap gebruiken, moet bij een inschatting van de blootstelling aan trillingen rekening worden gehouden met de werkelijke gebruiksomstandigheden en de manier waarop het gereedschap wordt gebruikt. Daarbij moet ook rekening worden gehouden met alle onderdelen van de bedrijfscyclus, zoals wanneer het gereedschap wordt uitgeschakeld en wanneer het gereedschap stationair loopt en ook de aanlooptijd.

### Etiketten op het gereedschap

Naast de datumcode is het gereedschap voorzien van de volgende symbolen:



**Waarschuwing!** De gebruiker moet de instructiehandleiding lezen zodat het risico van letsel wordt beperkt.



Draag een veiligheidsbril of een stofbril wanneer u met dit gereedschap werkt.



Draag gehoorbeschermers als u dit gereedschap gebruikt.



Koppel het netsnoer onmiddellijk los van de netspanning als het netsnoer beschadigd raakt.



Het gereedschap mag niet aan regen of hoge vochtigheid worden blootgesteld.



Richtlijn 2000/14/EG gegarandeerd geluidsvermogen.

### Elektrische veiligheid



Dit gereedschap is dubbel geïsoleerd, daarom is een aardeaansluiting niet vereist. Controleer altijd of de stroomvoorziening overeenkomt met de voltage op het typeplaatje.

- ◆ Als het netsnoer is beschadigd, moet het door de fabrikant of door een geautoriseerd BLACK+DECKER-servicecentrum worden vervangen, zodat gevaarlijke situaties worden voorkomen.
- ◆ Als u buitenshuis met het gereedschap werkt, mag u alleen een verlengsnoer gebruiken dat geschikt is voor buitengebruik. U kunt een geschikt BLACK+DECKER-verlengsnoer van maximaal 30 m lang gebruiken zonder dat vermogensverlies optreedt.
- ◆ Verhoog de elektrische veiligheid eventueel verder met behulp van een hooggevoelige 30mA-reststroomschakelaar (RCD).

### Functies

Dit gereedschap is voorzien van enkele of alle van de volgende functies.

1. Blad
2. Beschermkap
3. Hulphandgreep
4. Vergrendelknop Uit-stand
5. Aan/uit-schakelaar
6. Schakelhandgreep
7. Snoerhouder
8. Zaagblad
9. Zaagbladschoen

### Montage

**Waarschuwing!** Zorg ervoor dat het apparaat is uitgeschakeld en van de netspanning verwijderd is en dat de bladschede om de snijbladen is geplaatst voordat het apparaat in elkaar wordt gezet.

### Beschermkap op de heggenschaar bevestigen (afb. A, B)

Wanneer de heggenschaar wordt verzonden, is de beschermkap er niet op bevestigd. De beschermkap bevestigen:

- ◆ Verwijder de borgschroef 10 van de beschermkap met een kruiskopschroevendraaier (niet meegeleverd).
- ◆ Zet de beschermkap op z'n plaats, zoals in Afb. A. wordt getoond. Let erop dat de sleuven van de beschermkap in de groeven op het apparaat passen.
- ◆ Steek de borgschroef 10 van de beschermkap in de opening aan de zijkant van de beschermkap, zet de schroef stevig vast, zoals wordt getoond in Afb. B.

**Waarschuwing!** Gebruik de heggenschaar alleen met de handgreep en de beschermkap er goed op bevestigd. Wanneer u met de heggenschaar werkt zonder de juiste beschermkap of handgreep, kan dat leiden tot ernstig letsel.

### Verlengsnoer aan de heggenschaar bevestigen (afb. C)

Er bevindt zich een snoerhouder (7) aan de achterzijde van schakelhandgreep (6).

- ◆ Maak aan het eind van het verlengsnoer een lus.
- ◆ Voer de lus in in de behuizing 11 van de snoerhouder, zoals wordt getoond in Afb. C.
- ◆ Haak de lus vast in de snoerhouder 7, zodat de lus vastzit in de snoerhouder.
- ◆ Steek de stekker van het verlengsnoer in het apparaat.

### Juiste handpositie (Afb. D)

Houd de heggenschaar altijd vast met één hand op de handgreep met de schakelaar, zoals in de afbeeldingen in de handleiding wordt getoond, en met één hand op de

hulphandgreep (Afb. D). Houd het gereedschap nooit vast aan de beschermkap.

## Gebruik van het apparaat

**Waarschuwing!** Laat het gereedschap op z'n eigen snelheid werken. Overbelast het gereedschap niet.

## In- en uitschakelen

**Opmerking:** Om veiligheidsredenen is dit gereedschap voorzien van een dubbel schakelaarsysteem. Dankzij dit systeem wordt voorkomen dat het gereedschap onbedoeld wordt gestart, en functioneert het alleen wanneer het met beide handen wordt vastgehouden.

## Inschakelen (Afb. E)

- ◆ Schakel het gereedschap in ("ON") door zowel de schakelaar (4) op de hulphandgreep naar achteren te knijpen als de aan/uit-schakelaar (5) op de hoofdhandgreep in te knijpen. Het gereedschap blijft alleen lopen als u de beide schakelaars ingeknepen houdt. U kunt het gereedschap uitschakelen door de schakelaar op de hulphandgreep of de aan/uit-schakelaar los te laten.

**Waarschuwing!** Probeer nooit een schakelaar in de ingeschakelde stand te vergrendelen.

- ◆ Breng regelmatig wat smeerolie aan op de messen.

## Richtlijnen voor het snoeien

## Verlengsnoer (Afb. F)

- ◆ Houd het verlengsnoer altijd achter de heggenschaar en weg bij de knipwerkzaamheden, zoals wordt getoond in afbeelding F. Hang het nooit over een heg die u aan het knippen bent. Als u het snoer doorgeknipt of beschadigt, trek dan onmiddellijk de stekker uit het stopcontact en inspecteer of repareer vervolgens het snoer.

## Werkpositie

- ◆ Blijf altijd stevig op uw voeten en in evenwicht staan en reik niet buiten uw macht.
- ◆ Draag tijdens het knippen een veiligheidsbril, antislip-schoeisel en rubberen handschoenen.
- ◆ Houd het gereedschap stevig met beide handen vast en schakel het in (ON). Houd de heggenschaar altijd vast met één hand op de handgreep met de schakelaar, zoals in afbeelding D wordt getoond, en met één hand op de hulphandgreep. Houd het gereedschap nooit vast aan de beschermkap van de messen.

## Nieuwe aangroei knippen (Afb. G)

- ◆ Het meest effectief is knippen met een brede zwaaiende beweging, waarbij u de tanden van het maaiblad door de

aangroei haalt. Een lichte neerwaartse kanteling van het maaiblad, in de richting van de maaibeweging geeft het beste resultaat.

**Waarschuwing!** Gebruikte heggen scharen niet voor het knippen van takken van meer dan 16 mm. Knip met de heggenschaar alleen de struiken die meestal rond huizen en gebouwen staan.

## Heggen waterpas knippen (Afb. H)

- ◆ U kunt heggen heel goed waterpas knippen door middel van een stuk draad dat u als leidraad over de gehele lengte van de heg spant.

## De zijkanten van heggen knippen (Afb. I)

- ◆ Begin aan de onderzijde en zwaai de heggenschaar omhoog.

## Zaagblad (Afb. J)

- ◆ Gebruik voor takken die te groot zijn voor het maaiblad (1) het zaagblad (8). Plaats het zaagblad zo dicht mogelijk aan de onderzijde van de tak. Plaats de zaagbladschoen (9) tegen de tak. Draai de heggenschaar zoals hierboven wordt beschreven, laat het gereedschap op zijn eigen snelheid de tak geheel doorzagen.

De maaibladen zijn vervaardigd van hoogwaardig, gehard staal en bij normaal gebruik zullen zij niet hoeven te worden geslepen. Maar als u per ongeluk een afrastering (Afb. L), stenen, glas of andere harde voorwerpen raakt, kan er een braam op het maaiblad komen. Deze braam hoeft niet te worden verwijderd als hij geen gevolgen heeft voor de beweging van het maaiblad. Als dat wel zo is, trek dan de stekker van het verlengsnoer uit het stopcontact en verwijder de braam met een fijne vijl of een slijpsteen. Inspecteer de schaar op beschadiging wanneer u het gereedschap hebt laten vallen. Als het maaiblad is verbogen, de behuizing is gescheurd, of er zijn handgrepen afgebroken, of u ziet iets anders dat van invloed kan zijn op de werking van de schaar, neem dan contact op met het BLACK+DECKER-servicecentrum voor reparatie, voordat u het gereedschap weer in gebruik neemt. Meststoffen en andere tuinchemicaliën bevatten stoffen die de roestvorming van metalen sterk versnellen. Berg het gereedschap niet op op of bij kunstmest of chemicaliën.

## Accessoires

De prestaties van het gereedschap zijn afhankelijk van de gebruikte accessoires. Accessoires van BLACK+DECKER zijn ontworpen om aan hoge kwaliteitsnormen te voldoen en de prestaties van uw gereedschap te verhogen. Door deze accessoires te gebruiken kunt u uw gereedschap nog beter laten presteren.

**Onderhoud**

Uw BLACK+DECKER-machine/-gereedschap (met netsnoer/snoerloos) is ontworpen om gedurende langere tijd te functioneren met een minimum aan onderhoud. Het continu naar tevredenheid functioneren hangt af van de juiste zorg voor het gereedschap en regelmatig schoonmaken. Smeerolie is verkrijgbaar bij uw Black & Decker-leverancier (cat. nr. A6102-XJ).

**Waarschuwing!** Ga altijd als volgt te werk voor u onderhoud aan het elektrisch gereedschap (met snoer/snoerloos) uitvoert:

- ◆ Schakel het gereedschap/apparaat uit en trek de stekker uit het stopcontact.
- ◆ Of schakel het gereedschap/apparaat en haal de accu eruit, als het een aparte accu heeft.
- ◆ Of maak de accu geheel leeg, als de accu een integraal onderdeel van het gereedschap is en schakel het apparaat vervolgens uit.
- ◆ Neem de lader uit het stopcontact voordat u deze schoonmaakt. Behave regelmatige reiniging vraagt de lader geen onderhoud.
- ◆ Reinig regelmatig de ventilatieopeningen van het gereedschap/apparaat/de lader met een zachte borstel of droge doek.
- ◆ Reinig de behuizing van de motor regelmatig met een vochtige doek. Gebruik niet een schurend schoonmaakmiddel of een schoonmaakmiddel op basis van een oplosmiddel.
- ◆ Maak de bladen na gebruik zorgvuldig schoon. Breng na reiniging een dunne laag lichte machineolie aan zodat de bladen niet gaan roesten.

**Het milieu beschermen**



Gescheiden afvalinzameling. Producten en accu's waarop dit symbool is aangebracht, mogen niet bij het normale huishoudafval worden weggegooid.

Producten en accu's bevatten materialen die kunnen worden teruggewonnen of gerecycled en dat doet de vraag naar grondstoffen afnemen.

Recycle elektrische producten en accu's volgens de ter plaatse geldende bepalingen. Nadere informatie is beschikbaar op [www.2helpU.com](http://www.2helpU.com)

**Oplossen van problemen**

Probleem	Mogelijke oorzaak	Mogelijke oplossing
Maaibladen die langzaam lopen, lawaai maken of heet worden.	Droge, verroeste maaibladen.  Maaibladen of steun doorgebogen.  Verbogen of beschadigde tanden.  Losse bouten van het zaagblad.	Smeer de bladen.  Maak maaiblad of steun recht.  Rechte tanden.  Zet de bouten van het zaagblad vast.
Apparaat start niet.	Knop voor vergrendeling in de Uit-stand niet volledig naar voren geduwd.  Stekker niet in stopcontact.  Zekering stroomvoorziening doorgebrand.        Aardlekschakelaar is in werking getreden.        Snoer of schakelaar is beschadigd.	Controleer dat u voordat u de Aan/Uit-schakelaar omzet de knop voor vergrendeling in de Uit-stand wel volledig naar voren hebt geduwd.  Steek de stekker van het snoer in een stopcontact waar stroom op staat.  Vervang zekering stroomvoorziening. (Als het product er herhaaldelijk de oorzaak van is dat de zekering doorbrandt, moet u het gebruik onmiddellijk staken en moet u het apparaat laten repareren bij een BLACK+DECKER-servicecentrum of een erkende reparateur.)  Reset de aardlekschakelaar. (Als het product er herhaaldelijk de oorzaak van is dat de aardlekschakelaar in werking treedt, moet u het gebruik onmiddellijk staken en moet u het apparaat laten repareren bij een BLACK+DECKER-servicecentrum of een erkende reparateur.)  Laat de kabel of de schakelaar vervangen bij een BLACK+DECKER-servicecentrum of een erkende reparateur.

**Technische gegevens**

		BEHTS301 Type 1	BEHTS401 Type 1
Spanning	V <sub>ac</sub>	230	230
Vermogen	W	500	500
Maaibladslagen (onbelast)	min <sup>-1</sup>	1850	1835
Bladlengte	cm	50	55
Bladholte	mm	22	22
Remtijd blad	s	<1	<1
Zaagblad Max zaagsnede	mm	35	35
Gewicht	kg	2,47	2,54



		BEHTS451 Type 1	BEHTS501 Type 1
Spanning	V <sub>AC</sub>	230	230
Vermogen	W	550	600
Maaibladslagen (onbelast)	min <sup>-1</sup>	1870	1840
Bladlengte	cm	60	60
Bladholte	mm	25	25
Remtijd blad	s	<1	<1
Zaagblad Max zaagsnede	mm	35	35
Gewicht	kg	2,65	2,65

Ondergetekende is verantwoordelijk voor de samenstelling van het technische bestand en legt deze verklaring af namens Black & Decker.



A. Smith  
 Technical Director  
 Black & Decker Europe, 210 Bath Road, Slough,  
 Berkshire, SL1 3YD  
 Verenigd Koninkrijk  
 22-01-2019

Geluidsdrukniveau, volgens EN 60745:	
Geluidsdrukniveau in de positie van de gebruiker (L <sub>pa</sub> )	89 dB(A), meetonzekerheid (K) 3,5 dB(A)
Geluidsvermogeniveau (L <sub>wa</sub> )	98 dB(A), meetonzekerheid (K) 2,0 dB(A)
Totale trillingswaarden (som triaxvector) volgens EN 60745:	
Waarde trillingsmissie (a <sub>v</sub> )	4,1 m/s <sup>2</sup> , onzekerheid (K) 2,1 m/s <sup>2</sup>

## Garantie

Black & Decker heeft vertrouwen in zijn producten en biedt consumenten een garantie van 24 maanden vanaf de aankoopdatum. Deze garantie vormt een aanvulling op uw wettelijke rechten en beperken deze niet. De garantie is geldig op het grondgebied van de Lidstaten van de Europese Unie en de Europese Vrijhandelszone.

Voor een garantie-aanspraak moet uw aanspraak in overeenstemming zijn met de Voorwaarden en Condities van Black & Decker en moet u een bewijs van aankoop overleggen aan de verkoper of aan een geautoriseerde reparatiemonteur. Voorwaarden en condities van de 2-jarige garantie van Black & Decker en het adres van de vestiging van het geautoriseerde reparatiecentrum bij u in de buurt, kunt u vinden op internet op [www.2helpU.com](http://www.2helpU.com), of door contact op te nemen met het Black & Decker-kantoor ter plaatse, op het adres dat in deze handleiding wordt vermeld.

Bezoek onze website [www.blackanddecker.nl](http://www.blackanddecker.nl), waar u uw nieuwe Black & Decker-product kunt registreren en informatie kunt verkrijgen over nieuwe producten en speciale aanbiedingen.

## EG conformiteitsverklaring RICHTLIJN VOOR MACHINES RICHTLIJN VOOR GELUID BUITENSHUIS



BEHTS301, BEHTS401, BEHTS451,  
 BEHTS501 – Heggenschaar

Black & Decker verklaart dat de producten die worden beschreven onder 'Technische gegevens', voldoen aan: EN 60745-1:2009 +A11:2010, EN 60745-2-15:2009 + A1:2010

2000/14/EG, Heggenschaar, Bijlage V  
 Gemeten geluidsvermogen (L<sub>wa</sub>) 98 dB(A)  
 Meetonzekerheid (K) 2,0 dB(A)  
 Gegarandeerd geluidsvermogen (L<sub>wa</sub>) 100 dB(A)

Deze producten voldoen ook aan de richtlijn  
 2006/42/EC, 2014/30/EG en 2011/65/EU.

Neem voor meer informatie contact op met Black & Decker op het volgende adres of raadpleeg de achterzijde van de handleiding.

## Uso previsto

Los cortasetos BEHTS301, BEHTS401, BEHTS451, BEHTS501 de BLACK+DECKER™ han sido diseñados para cortar setos, arbustos y zarzas. Estas herramientas han sido concebidas únicamente para uso doméstico.

## Instrucciones de seguridad

### Advertencias de seguridad generales para herramientas eléctricas



**Advertencia.** Lea todas las advertencias de seguridad y todas las instrucciones. En caso de no atenerse a las siguientes advertencias e instrucciones de seguridad, podría producirse una descarga eléctrica, incendio o lesión grave.

**Guarde todas las advertencias e instrucciones para futuras consultas.** El término "herramienta eléctrica" que aparece en las advertencias se refiere a la herramienta eléctrica que funciona a través de la red eléctrica (con cable) o a la herramienta eléctrica que funciona con batería (sin cable).

#### 1. Seguridad del área de trabajo

- a. **Mantenga limpia y bien iluminada el área de trabajo.** Las áreas en desorden u oscuras pueden provocar accidentes.
- b. **No utilice herramientas eléctricas en entornos con peligro de explosión, como aquellos en los que haya líquidos, gases o polvos inflamables.** Las herramientas eléctricas originan chispas que pueden inflamar el polvo o los gases.
- c. **Mantenga alejados a los niños y otras personas del área de trabajo al emplear la herramienta eléctrica.** Las distracciones pueden ocasionar que pierda el control.

#### 2. Seguridad eléctrica

- a. **El enchufe de la herramienta eléctrica debe corresponder a la toma de corriente. No modifique nunca el enchufe de ninguna forma. No utilice ningún enchufe adaptador con las herramientas eléctricas conectadas a tierra.** Los enchufes no modificados y las tomas de corriente correspondientes reducirán el riesgo de descarga eléctrica.
- b. **Evite que su cuerpo toque partes conectadas o puestas a tierra tales como tuberías, radiadores, cocinas y refrigeradores.** Existe un mayor riesgo de descarga eléctrica si su propio cuerpo está conectado a tierra.
- c. **No exponga las herramientas eléctricas a la lluvia y a la humedad.** Si entra agua a una herramienta eléctrica aumentará el riesgo de descarga eléctrica.
- d. **Cuide el cable de alimentación. No use nunca el cable para transportar, tirar de la herramienta eléctrica o desenchufarla. Mantenga el cable alejado del calor,**

**aceite, bordes afilados y piezas en movimiento.** Los cables dañados o enredados aumentan el riesgo de descarga eléctrica.

- e. **Al trabajar con la herramienta eléctrica en la intemperie utilice solamente cables de prolongación homologados para su uso en exteriores.** La utilización de un cable adecuado para el uso en exteriores reduce el riesgo de descarga eléctrica.
  - f. **Si la utilización de una herramienta eléctrica en un lugar húmedo es inevitable, utilice una fuente protegida con un dispositivo diferencial residual (DDR).** El uso de un dispositivo diferencial residual reduce el riesgo de descarga eléctrica.
3. **Seguridad personal**
    - a. **Esté atento a lo que hace y emplee la herramienta eléctrica con prudencia. No maneje una herramienta eléctrica cuando esté cansado o bajo los efectos de drogas, medicamentos o alcohol.** Un momento de falta de atención cuando se manejan las herramientas eléctricas puede ocasionar lesiones personales graves.
    - b. **Utilice un equipo de protección personal. Utilice siempre protección ocular.** El uso del equipo protector como mascarillas antipolvo, calzado antideslizante, casco o protección auditiva para condiciones apropiadas reducirá las lesiones personales.
    - c. **Impida que la herramienta se ponga en marcha accidentalmente. Asegúrese de que el interruptor se encuentre en la posición de apagado antes de conectar la herramienta a la fuente de alimentación o a la batería, o de coger o transportar la herramienta.** Transportar herramientas eléctricas con el dedo puesto en el interruptor o herramientas eléctricas activadoras que tengan el interruptor encendido puede provocar accidentes.
    - d. **Retire las herramientas de ajuste o llaves fijas antes de encender la herramienta eléctrica.** Dejar una llave inglesa u otra llave puesta en una pieza en movimiento de la herramienta eléctrica puede ocasionar lesiones personales.
    - e. **Sea precavido. Mantenga un equilibrio adecuado y la estabilidad constantemente.** Esto permite un mejor control de la herramienta eléctrica en situaciones inesperadas.
    - f. **Lleve puesta una vestimenta de trabajo adecuada. No se ponga ropa suelta o joyas. Mantenga el cabello, la ropa y los guantes alejados de las piezas en movimiento.** La ropa suelta, las joyas y el pelo largo pueden quedar atrapados en las piezas en movimiento.
    - g. **Siempre que sea posible utilizar unos equipos de aspiración o captación de polvo, asegúrese de que estén montados y de se utilicen correctamente.** El uso

de equipo de recogida de polvo puede reducir los riesgos relacionados con el polvo.

#### 4. Uso y cuidado de herramientas eléctricas

- a. **No sobrecargue la herramienta eléctrica. Use la herramienta eléctrica correcta para su trabajo.** La herramienta eléctrica correcta funcionará mejor y con mayor seguridad si se utiliza de acuerdo con sus características técnicas.
  - b. **No utilice la herramienta eléctrica si no se puede encender y apagar con el interruptor.** Toda herramienta eléctrica que no pueda controlarse con el interruptor es peligrosa y debe ser reparada.
  - c. **Desconecte el enchufe de la herramienta eléctrica de la fuente de alimentación y/o la batería antes de realizar cualquier ajuste, cambiar accesorios o guardar la herramienta.** Dichas medidas de seguridad preventivas reducen el riesgo de poner en marcha accidentalmente la herramienta eléctrica.
  - d. **Guarde las herramientas eléctricas fuera del alcance de los niños y no permita que la utilicen las personas no familiarizadas con su uso o con estas instrucciones.** Las herramientas eléctricas son peligrosas en manos de personas no capacitadas.
  - e. **Realice el mantenimiento de sus herramientas eléctricas. Controle si funcionan correctamente, sin atascarse, las partes móviles de la herramienta eléctrica, y si existen partes rotas o deterioradas que pudieran afectar al funcionamiento de la herramienta. Si la herramienta eléctrica está dañada, llévela para que sea reparada antes de utilizarla.** Se ocasionan muchos accidentes por el mal mantenimiento de las herramientas eléctricas.
  - f. **Mantenga las herramientas de corte limpias y afiladas.** Hay menos probabilidad de que las herramientas de cortar con bordes afilados se bloqueen, y son más fáciles de controlar.
  - g. **Utilice la herramienta eléctrica, los accesorios, los útiles de la herramienta, etc. de acuerdo con estas instrucciones, y tenga en cuenta las condiciones de trabajo y la tarea que va a realizar.** El uso de la herramienta eléctrica para operaciones que no sean las previstas puede ocasionar una situación peligrosa.
5. Reparaciones
- a. **Esta herramienta eléctrica solo la puede reparar personal técnico autorizado que emplee exclusivamente piezas de repuesto originales.** Así se asegurará que se mantenga la seguridad de la herramienta eléctrica.

#### Advertencias de seguridad adicionales para herramientas eléctricas



**Advertencia.** Advertencias de seguridad adicionales para cortasetos

- ◆ **Mantenga todas las partes del cuerpo alejadas de la cuchilla de corte. No retire el material de corte ni sujete el material que va a cortar mientras las cuchillas se encuentren en movimiento. Asegúrese de que el interruptor esté apagado cuando se disponga a retirar material atascado.** Cualquier distracción durante el uso de la herramienta, por pequeña que sea, puede provocar graves lesiones.
- ◆ **Transporte el cortasetos por la empuñadura con la cuchilla de corte detenida. Cuando transporte o guarde el cortasetos, coloque siempre la cubierta del dispositivo de corte.** La correcta manipulación del cortasetos reducirá las posibles lesiones personales ocasionadas por las cuchillas de corte.
- ◆ **Sujete la herramienta eléctrica únicamente por las superficies de agarre aisladas, ya que la cuchilla de corte podría entrar en contacto con un cable oculto con su propio cable.** Si las cuchillas de corte entran en contacto con un cable conectado a la red eléctrica, podrían provocar que las partes metálicas de la herramienta eléctrica transmitieran esa electricidad y produjeran una descarga al usuario.
- ◆ **Mantenga el cable alejado de la zona de corte.** Durante el funcionamiento, el cable podría quedar oculto entre los arbustos y las cuchillas podrían cortarlo accidentalmente.
- ◆ **En este manual de instrucciones se describe el uso previsto.** La utilización de accesorios o la realización de operaciones con esta herramienta distintas de las recomendadas en este manual de instrucciones puede implicar un riesgo de lesiones y/o daños materiales.
- ◆ **Si no ha utilizado nunca un cortasetos, se recomienda solicitar instrucciones prácticas a un usuario experimentado, además de leer detenidamente este manual.**
- ◆ **Nunca toque las cuchillas mientras la herramienta esté en funcionamiento.**
- ◆ **Nunca intente forzar las cuchillas para que se detengan.**
- ◆ **No suelte la herramienta hasta que las cuchillas se hayan detenido por completo.**
- ◆ **Compruebe con regularidad que las cuchillas no estén dañadas o gastadas.** No utilice la herramienta si las cuchillas están dañadas.
- ◆ **Procure evitar los objetos duros (por ejemplo, alambres o verjas) durante las operaciones de corte.** Si golpea algún objeto de estas características de forma accidental, apague de inmediato la herramienta y compruebe si ha ocasionado algún daño.

- ◆ Si la herramienta comienza a vibrar de manera inusual, apáguela inmediatamente, desconéctela del suministro de corriente y, a continuación, compruebe que no haya sufrido ningún daño.
- ◆ Si la herramienta se para, apáguela inmediatamente. Desconéctela del suministro de corriente antes de intentar eliminar cualquier obstrucción.
- ◆ Después de utilizar la herramienta, coloque la vaina de la cuchilla suministrada sobre las cuchillas. Cuando guarde la herramienta, asegúrese de que la cuchilla no quede descubierta.
- ◆ Asegúrese siempre de que todos los protectores estén colocados cuando utilice la herramienta. Nunca intente utilizar una herramienta que no esté completamente montada o una herramienta con modificaciones no autorizadas.
- ◆ Nunca permita que los niños utilicen la herramienta.
- ◆ Tenga precaución con los restos que caen al cortar las partes altas de un seto.
- ◆ Sujete siempre la herramienta con ambas manos por las empuñaduras suministradas a tal efecto.

### Riesgos residuales

El uso de esta herramienta puede producir riesgos residuales adicionales no incluidos en las advertencias de seguridad adjuntas. Estos riesgos se pueden generar por un uso incorrecto, demasiado prolongado, etc.

El cumplimiento de las normas de seguridad correspondientes y el uso de dispositivos de seguridad no evitan ciertos riesgos residuales. Dichos riesgos incluyen:

- ◆ Lesiones producidas por el contacto con piezas móviles o giratorias.
- ◆ Lesiones producidas al cambiar cualquier pieza, cuchilla o accesorio.
- ◆ Lesiones producidas al usar una herramienta por un tiempo demasiado prolongado. Si utiliza una herramienta durante períodos de tiempo demasiado prolongados, asegúrese de realizar pausas con frecuencia.
- ◆ Deterioro auditivo.
- ◆ Riesgos para la salud producidos al respirar el polvo que se genera cuando se utiliza la herramienta (ejemplo: en los trabajos con madera, especialmente si son de roble, haya y tableros de densidad mediana).

### Vibración

Los valores de emisión de vibraciones declarados en el apartado de características técnicas y en la declaración de conformidad se han calculado según un método de prueba estándar proporcionado por la norma EN 60745 y podrán utilizarse para comparar una herramienta con otra. El valor de emisión de vibraciones especificado también puede utilizarse en una evaluación preliminar de la exposición.

**Advertencia.** El valor de emisión de vibraciones durante el funcionamiento real de la herramienta eléctrica puede diferir del valor declarado en función de cómo se utilice dicha herramienta. El nivel de las vibraciones puede aumentar por encima del nivel declarado.

Al evaluar la exposición a las vibraciones con el fin de determinar las medidas de seguridad que exige la directiva 2002/44/CE para proteger a las personas que utilizan periódicamente herramientas eléctricas en el entorno laboral, deberá tenerse en cuenta una estimación de la exposición a las vibraciones, las condiciones de uso reales y el modo de empleo de la herramienta, así como los pasos del ciclo operativo como, por ejemplo, el número de veces que la herramienta se apaga, el tiempo que está parada y el tiempo de activación.

### Etiquetas en la herramienta

Junto con el código de la fecha, en la herramienta aparecen los siguientes pictogramas:



**Advertencia.** Para reducir el riesgo de lesiones, el usuario debe leer el manual de instrucciones.



Cuando utilice la herramienta, lleve siempre gafas protectoras.



Cuando utilice la herramienta, utilice siempre protección para los oídos.



Desconectar de inmediato el cable de la toma de corriente si presenta daños o está cortado.



No exponga la herramienta a la lluvia ni a la humedad.



Directiva 2000/14/CE sobre la potencia acústica garantizada.

### Seguridad eléctrica



Esta herramienta lleva un doble aislamiento; por lo tanto, no requiere una toma de tierra. Compruebe siempre que el voltaje suministrado corresponda al indicado en la placa de características.

- ◆ Si se daña el cable de alimentación, el fabricante o un centro de servicio técnico autorizado de BLACK+DECKER deberán sustituirlo para evitar riesgos.
- ◆ Cuando utilice la herramienta en exteriores, use solamente cables de prolongación destinados al uso en exteriores. Se puede utilizar un cable de prolongación de BLACK+ DECKER con la potencia adecuada de hasta 30 m, sin sufrir pérdida de potencia.

- ◆ Se puede incrementar la seguridad eléctrica mediante la utilización de un dispositivo diferencial residual (DDR) de alta sensibilidad de 30 mA.

(Fig. D). Nunca debe sujetar el aparato por el protector de las cuchillas.

## Uso

**Advertencia.** Deje que la herramienta funcione a su ritmo. No la sobrecargue.

## Encendido y apagado

**Nota:** Por razones de seguridad, esta herramienta está equipada con un sistema de dos interruptores. Este sistema impide que la herramienta se encienda de manera accidental y solamente permite accionarla cuando se sujeta con ambas manos.

## Encendido (Fig. E)

- ◆ Para encender la herramienta, debe apretar tanto el interruptor de asa auxiliar (4) hacia atrás como el interruptor disparador principal de asa (5). Para que el aparato siga funcionando, debe continuar apretando ambos interruptores. Para apagar la unidad, suelte el interruptor de asa auxiliar o el interruptor disparador.

**Advertencia.** No intente nunca trabar un interruptor en la posición de encendido.

- ◆ Lubrique las cuchillas periódicamente.

## Instrucciones de corte

### Cable prolongador (Fig. F)

- ◆ Mantenga siempre el cable prolongador detrás de la cortadora y alejado de la zona de corte como se muestra en la Fig. F. Nunca debe cubrir el seto que vaya a cortar. Si corta o daña el cable, desenchúfelo de la toma de corriente inmediatamente, antes de inspeccionar o reparar el cable.

### Posición de trabajo

- ◆ Mantenga un apoyo firme sobre el suelo y el equilibrio y no haga estiramientos excesivos.
- ◆ Use gafas de protección, calzado antideslizante y guantes de goma cuando corte.
- ◆ Sujete firmemente la herramienta con las dos manos y enciéndala. Siempre debe sujetar la cortadora como se muestra en la Fig. D, con una mano en la empuñadura con interruptor y la otra mano en la empuñadura auxiliar. Nunca debe sujetar la herramienta por el protector de la cuchilla.

### Corte de plantas nuevas (Fig. G)

- ◆ Lo más eficaz es hacer un movimiento ancho de barrido introduciendo los dientes de la cuchilla entre las ramas. El mejor corte se consigue inclinando un poco hacia abajo la cuchilla, siguiendo la dirección del movimiento.

## Características

Esta herramienta incluye parte o la totalidad de estas características.

1. Cuchilla
2. Barra de protección
3. Empuñadura auxiliar
4. Botón de bloqueo
5. Interruptor de activación
6. Empuñadura con interruptor
7. Sujetacable
8. Cuchilla de sierra
9. Zapata de la cuchilla de sierra

## Ensamblaje

**Advertencia.** Antes de montar la herramienta, asegúrese de que se encuentra apagada y desconectada, y de que la vaina de la cuchilla se encuentra sobre las cuchillas.

### Colocación del protector en la cortadora (Fig. A, B)

La cortadora se suministra con el protector desmontado de la cortadora. Para montar el protector:

- ◆ Extraiga el tornillo de sujeción del protector 10 con un destornillador Phillips (no suministrado).
- ◆ Coloque el protector en su posición como se muestra en la Fig. A, colocando las ranuras del protector en las hendiduras de la unidad.
- ◆ Introduzca el tornillo de sujeción 10 en el orificio lateral del protector y apriételo bien como se muestra en la figura B.

**Advertencia.** Solo debe usar el cortasetos si tiene colocados correctamente el protector y la empuñadura. El uso del cortasetos sin el protector o la empuñadura adecuados puede provocar lesiones personales graves.

### Colocar el cable prolongador en la cortadora (Fig. C)

Se ha incorporado un sujetacable (7) en la parte posterior de la empuñadura con interruptor (6).

- ◆ Cerca del extremo del cable prolongador, doble el cable prolongador formando un bucle.
- ◆ Introduzca el bucle en el alojamiento del sujetacable 11 como se muestra en la Fig. C.
- ◆ Enganche el bucle en el sujetacable 7 para que quede en esa posición.
- ◆ Enchufe el cable prolongador en la unidad.

### Posición correcta de las manos (Fig. D)

Siempre debe sujetar la cortadora como se muestra en las ilustraciones de este manual, con una mano en la empuñadura con interruptor y la otra mano en la empuñadura auxiliar

**Advertencia.** No use la cortadora para cortar ramas de más de 16 mm. Use la cortadora solo para cortar los arbustos normales que crecen alrededor de las casas y los edificios.

### Nivelar los setos (Fig. H)

- ◆ Para obtener unos setos excepcionalmente uniformes, se puede extender un trozo de hilo a lo largo del seto, para que sirva de guía.

### Corte lateral de setos (Fig. I)

- ◆ Empezee de abajo barriendo hacia arriba.

### Cuchilla de sierra (Fig. J)

- ◆ En caso de ramas demasiado grandes para cortar con la cuchilla (1) use la cuchilla de la sierra (8). Coloque la cuchilla de la sierra tan cerca del fondo de la rama como sea posible. Coloque la zapata de la cuchilla de la sierra (9) contra la rama. Gire el cortasetos como se describe arriba dejando que la herramienta trabaje a su ritmo hasta que corte totalmente la rama.

Las cuchillas de corte están hechas de acero endurecido de alta calidad y, si se utilizan de manera normal, no será necesario volver a afilarlas. Sin embargo, si golpea accidentalmente una alambrada (Fig. L), piedras, cristal u otros objetos rígidos, es posible que haga una muesca en la cuchilla. No será necesario eliminar dicha muesca mientras no interfiera en el movimiento de la cuchilla. Si interfiere, desenchufe el cable y utilice una lima de dientes finos o una piedra de afilar para eliminar la muesca. Si deja caer la cortadora, inspecciónela minuciosamente para comprobar si se han producido daños. Si la cuchilla está doblada, la carcasa está agrietada o se han roto las empuñaduras, o si ve cualquier otro problema que pueda afectar al funcionamiento de la cortadora, póngase en contacto con el taller de reparación local de BLACK+DECKER para reparar la cortadora antes de volver a utilizarla.

Los fertilizantes y otros productos químicos de jardinería contienen agentes que aceleran considerablemente la corrosión de los metales. No guarde el aparato con abonos o sustancias químicas, o cerca de estos productos.

### Accesorios

El funcionamiento de la herramienta dependerá del accesorio que se utilice. Los accesorios de BLACK+DECKER se han fabricado siguiendo estándares de alta calidad y se han diseñado para mejorar el funcionamiento de la herramienta. Con estos accesorios, sacará el máximo provecho a su herramienta.

### Mantenimiento

Su aparato o herramienta con o sin cable de BLACK+DECKER ha sido diseñada para funcionar durante un largo período de tiempo con un mantenimiento mínimo. El funcionamiento satisfactorio y continuo depende del buen cuidado de la herramienta y de una limpieza frecuente. Podrá encontrar el aceite lubricante en su distribuidor BLACK+DECKER (número de catálogo A6102-XJ).

**Advertencia.** Antes de realizar el mantenimiento de herramientas eléctricas con o sin cables:

- ◆ Apague y desenchufe el aparato o herramienta.
- ◆ O bien, apague y extraiga la batería del aparato o herramienta si el aparato o herramienta tiene una batería separada.
- ◆ O bien, deje que la batería se agote por completo si es integral y, a continuación, apague el aparato.
- ◆ Desenchufe el cargador antes de limpiarlo. El cargador no requiere ningún mantenimiento especial excepto la limpieza periódica.
- ◆ Limpie periódicamente las ranuras de ventilación de la herramienta, aparato o cargador con un cepillo suave o un paño seco.
- ◆ Limpie periódicamente la carcasa del motor con un paño húmedo. No utilice limpiadores abrasivos o a base de disolventes.
- ◆ Después de utilizar la herramienta, limpie con cuidado las cuchillas. Después de limpiarlas, aplique una película de aceite ligero para máquinas para evitar que las cuchillas se oxiden.

### Protección del medioambiente



Recogida selectiva. Los productos y las baterías marcadas con este símbolo no se deben eliminar con los residuos domésticos normales.

Los productos y las baterías que contienen materiales que se puedan recuperar o reciclar reducen la demanda de materias primas.

Recicle los productos eléctricos y las baterías de conformidad con la normativa local. Puede obtener más información en [www.2helpU.com](http://www.2helpU.com)

## Solución de problemas

Problema	Causa posible	Solución posible
Cuchillas lentas, ruidosas o calientes.	Cuchillas secas y corroidas.	Engrase las cuchillas.
	Cuchillas o porta-cuchilla doblados.	Enderece la cuchilla o el soporte de cuchilla.
	Dientes doblados o dañados.	Enderece los dientes.
	Pernos de la cuchilla sueltos.	Apriete los pernos de la cuchilla.
El aparato no se pone en marcha.	El desbloqueo no funciona completamente.	Compruebe que el botón de bloqueo esté totalmente hacia adelante antes de mover el gatillo principal.
	Cable no enchufado.	Enchufe el cable en una toma de corriente que funcione.
	El fusible del circuito está fundido.	Cambie el fusible del circuito. (Si el producto hace fundir en continuación el fusible del circuito, deje de utilizarlo inmediatamente y llévelo a un centro de servicios o de asistencia técnica autorizado de BLACK+DECKER)
	Se activa el interruptor de desconexión.	Restablezca el disyuntor. (Si el producto activa en continuación el disyuntor, deje de utilizarlo inmediatamente y llévelo a un centro de servicios o de asistencia técnica autorizado de BLACK+DECKER)
	El cable o el interruptor están dañados.	Haga cambiar el cable o el interruptor en un centro de servicios o de asistencia técnica autorizado de BLACK+DECKER.

Nivel de presión acústica de acuerdo con la norma EN 60745:
Nivel de presión acústica en la posición del operador ( $L_{pA}$ ) 89 dB(A), incertidumbre (K) 3,5 dB(A)
Nivel de potencia acústica ( $L_{WA}$ ) 98 dB (A), Incertidumbre (K) 2,0 dB (A)
Valores totales de vibración (suma vectorial triaxial) de acuerdo con la norma EN 60745:
Valor de emisión de vibraciones ( $a_{h,d}$ ) 4,1 m/s <sup>2</sup> , incertidumbre (K) 2,1 m/s <sup>2</sup>

## Declaración de conformidad CE

DIRECTIVA DE MÁQUINAS  
DIRECTIVA SOBRE EL RUIDO EXTERIOR



BEHTS301, BEHTS401, BEHTS451, BEHTS501 – Cortasetos

Black & Decker declara que los productos descritos en "datos técnicos" cumplen las siguientes normas:  
EN 60745-1:2009 +A11:2010, EN 60745-2-15:2009 +A1:2010

2000/14/CE, Cortasetos, Anexo V  
Nivel de potencia acústica medida ( $L_{WA}$ ) 98 dB(A)  
Incertidumbre (K) 2,0 dB(A)  
Potencia acústica garantizada ( $L_{WA}$ ) 100 dB (A)

Estos productos también cumplen la directiva  
2006/42/CE, 2014/30/UE y 2011/65/EU.

Para más información, póngase en contacto con Black & Decker en la siguiente dirección o consulte la parte posterior del manual.

El abajo firmante es el responsable de la compilación del archivo técnico y realiza esta declaración en representación de Black & Decker.

A. Smith  
Technical Director  
Black & Decker Europa, 210 Bath Road, Slough,  
Berkshire, SL1 3YD  
Reino Unido  
22/01/2019

## Garantía

Black & Decker confía en la calidad de sus productos y ofrece a los consumidores una garantía de 24 meses a partir de la fecha de compra. Esta garantía es adicional a sus derechos legales y no los menoscaba en modo alguno. La garantía es válida dentro de los territorios de los Estados Miembros de la Unión Europea y del Área de Libre Comercio Europea.

## Datos técnicos

		BEHTS301 Tipo 1	BEHTS401 Tipo 1
Tensión	$V_{CA}$	230	230
Potencia de entrada	W	500	500
Recorrido de las cuchillas (sin carga)	min. <sup>-1</sup>	1850	1835
Longitud de las cuchillas	cm	50	55
Distancias de las cuchillas	mm	22	22
Tiempo de frenado de la cuchilla	s	<1	<1
Corte máx. cuchilla de sierra	mm	35	35
Peso	kg	2.47	2.54

		BEHTS451 Tipo 1	BEHTS501 Tipo 1
Tensión	$V_{CA}$	230	230
Potencia de entrada	W	550	600
Recorrido de las cuchillas (sin carga)	min. <sup>-1</sup>	1870	1840
Longitud de las cuchillas	cm	60	60
Distancias de las cuchillas	mm	25	25
Tiempo de frenado de la cuchilla	s	<1	<1
Corte máx. cuchilla de sierra	mm	35	35
Peso	kg	2.65	2.65

Para reclamar la garantía, la reclamación se debe presentar de conformidad con las condiciones de Black & Decker. Tendrá que adjuntar un justificante de compra al vendedor o al agente técnico autorizado. Las condiciones de la garantía de 2 años de Black & Decker y la ubicación de su agente técnico autorizado más cercano se pueden obtener en Internet en [www.2helpU.com](http://www.2helpU.com) o poniéndose en contacto con su oficina local de Black & Decker en la dirección que se indica en este manual.

Visite nuestro sitio web [www.blackanddecker.co.uk](http://www.blackanddecker.co.uk) para registrar su nuevo producto Black & Decker y recibir noticias sobre nuevos productos y ofertas especiales.

## Utilização pretendida

Os corta-sebes BLACK+DECKER™ BEHTS301, BEHTS401, BEHTS451, BEHTS501 foram concebidos para cortar sebes, arbustos e rubos. Estas ferramentas destinam-se apenas para utilização doméstica.

## Instruções de segurança

### Avisos de segurança gerais para ferramentas elétricas



**Atenção!** Leia todos os avisos de segurança e todas as instruções. O não cumprimento dos seguintes avisos e instruções pode resultar em choque elétrico, incêndio e/ou graves lesões.

**Guarde todos os avisos e instruções para futura referência.** A expressão "ferramenta eléctrica" utilizada nos avisos refere-se à sua ferramenta eléctrica com ligação à corrente eléctrica (com cabo) ou com bateria (sem fios).

#### 1. Segurança na área de trabalho

- a. **Mantenha a área de trabalho limpa e bem iluminada.** As áreas desorganizadas ou escuras são propensas a acidentes.
- b. **Não trabalhe com ferramentas elétricas em áreas com risco de explosão, nas quais se encontrem líquidos, gases ou poeiras inflamáveis.** As ferramentas eléctricas criam faíscas que poderão inflamar estas poeiras ou vapores.

- c. **Mantenha crianças e outras pessoas afastadas durante a utilização da ferramenta eléctrica.** As distrações podem levar à perda do controlo da ferramenta.

#### 2. Segurança eléctrica

- a. **As fichas da ferramenta eléctrica devem encaixar na tomada. Nunca modifique a ficha de forma alguma. Não utilize fichas adaptadoras com ferramentas eléctricas ligadas à terra.** As fichas não modificadas e as tomadas compatíveis reduzem o risco de choque eléctrico.
- b. **Evite que o corpo entre em contacto com superfícies ligadas à terra, como tubos, radiadores, fogões e frigoríficos.** Se o seu corpo estiver "ligado" à terra, o risco de choque eléctrico é maior.
- c. **As ferramentas eléctricas não podem ser expostas a chuva nem humidade.** A entrada de água numa ferramenta eléctrica aumenta o risco de choque eléctrico.
- d. **Manuseie o cabo com cuidado. Nunca o utilize para transportar, puxar ou desligar a ferramenta eléctrica. Mantenha o cabo afastado de fontes de calor, substâncias oleosas, arestas afiadas ou peças móveis.** Os cabos danificados ou emaranhados aumentam o risco de choque eléctrico.
- e. **Quando trabalhar com uma ferramenta eléctrica ao ar livre, utilize uma extensão adequada para esse fim.** A utilização de um cabo adequado para uso ao ar livre reduz o risco de choque eléctrico.
- f. **Se for inevitável trabalhar com uma ferramenta eléctrica num local húmido, utilize um dispositivo de corrente residual (RCD).** A utilização de um RCD reduz o risco de choque eléctrico.

#### 3. Segurança pessoal

- a. **Mantenha-se atento, observe o que está a fazer e seja prudente quando trabalhar com a ferramenta eléctrica. Não utilize uma ferramenta eléctrica quando estiver cansado ou sob o efeito de drogas, álcool ou medicamentos.** Um momento de distração durante a utilização de ferramentas eléctricas poderá resultar em ferimentos graves.
- b. **Utilize equipamento de proteção pessoal. Use sempre uma proteção ocular.** O equipamento de proteção, como, por exemplo, uma máscara contra o pó, sapatos de segurança antiderrapantes, um capacete de segurança ou uma proteção auditiva, usado nas condições apropriadas, reduz o risco de ferimentos.
- c. **Evite arranques involuntários. Certifique-se de que o botão está desligado antes de ligar a ferramenta à corrente eléctrica e/ou à bateria, e antes de levantar ou transportar a ferramenta.** Se mantiver o dedo sobre o interruptor ao transportar ferramentas eléctricas ou se as



ligar à fonte de alimentação com o interruptor ligado, isso poderá dar origem a acidentes.

- d. **Retire eventuais chaves de ajuste ou chaves de fendas antes de ligar a ferramenta elétrica.** Uma chave de fenda ou de ajuste que se encontre numa peça em rotação da ferramenta elétrica poderá causar lesões.
- e. **Não tente chegar a pontos fora do alcance. Mantenha sempre os pés bem apoiados e um equilíbrio apropriado.** Desta forma, será mais fácil controlar a ferramenta elétrica em situações inesperadas.
- f. **Use vestuário adequado. Não use roupa larga ou joias. Mantenha o cabelo, a roupa e as luvas afastados das peças móveis.** As roupas largas, as joias ou o cabelo comprido podem ficar presos nestas peças.
- g. **Se for prevista a montagem de dispositivos de extração e recolha de poeiras, assegure-se de que estão ligados e que são utilizados de forma correta.** A utilização de dispositivos de extração de partículas pode reduzir os riscos relacionados com as mesmas.

#### 4. Utilização e manutenção da ferramenta elétrica

- a. **Não sobrecarregue a ferramenta elétrica. Utilize a ferramenta elétrica correta para o seu trabalho.** A ferramenta elétrica adequada irá efetuar o trabalho de um modo mais eficiente e seguro se for utilizada de acordo com a capacidade para a qual foi concebida.
- b. **Não utilize a ferramenta elétrica se o interruptor não puder ser ligado ou desligado.** Qualquer ferramenta elétrica que não possa ser controlada através do interruptor de alimentação é perigosa e tem de ser reparada.
- c. **Desligue a ficha da tomada e/ou a bateria da ferramenta elétrica antes de proceder a ajustes, trocar acessórios ou guardar ferramentas elétricas.** Estas medidas de segurança preventivas reduzem o risco de ligar a ferramenta elétrica acidentalmente.
- d. **Mantenha as ferramentas elétricas que não estiverem a ser utilizadas fora do alcance das crianças. Não permita que a ferramenta elétrica seja utilizada por pessoas não familiarizadas com a mesma ou que não tenham lido estas instruções.** As ferramentas elétricas são perigosas nas mãos de pessoas que não possuam as qualificações necessárias para as manusear.
- e. **Proceda à manutenção das ferramentas elétricas. Verifique se as partes móveis estão desalinhasadas ou bloqueadas, se existem peças partidas ou qualquer outra situação que possa afetar o funcionamento das ferramentas elétricas. Se a ferramenta elétrica estiver danificada, esta não deve ser utilizada até que seja reparada.** Muitos acidentes têm como principal causa ferramentas elétricas com uma manutenção insuficiente.
- f. **Mantenha as ferramentas de corte afiadas e limpas.** As ferramentas de corte sujeitas a uma manutenção

adequada, com arestas de corte afiadas, emperram com menos frequência e controlam-se com maior facilidade.

- g. **Utilize a ferramenta elétrica, os acessórios e as peças de ferramenta, etc., de acordo com estas instruções, considerando as condições de trabalho e a tarefa a ser executada.** A utilização da ferramenta elétrica para fins diferentes dos previstos poderá resultar em situações perigosas.
- #### 5. Assistência
- a. **A sua ferramenta elétrica só deve ser reparada por pessoal qualificado e só devem ser colocadas peças sobressalentes originais.** Desta forma, é garantida a segurança da ferramenta elétrica.

#### Avisos de segurança adicionais para ferramentas elétricas



**Atenção!** Avisos de segurança adicionais para corta-sebes

- ◆ **Mantenha todas as partes do corpo afastadas da lâmina de corte. Não remova o material cortado ou material a ser cortado quando as lâminas estiverem em movimento. Certifique-se de que o interruptor está desligado quando desobstruir o material encravado.** Um momento de falta de atenção durante a utilização da ferramenta poderá causar ferimentos graves.
- ◆ **Transporte o corta-sebes pelo punho com a lâmina de corte parada. Quando transportar ou armazenar o corta-sebes, coloque sempre a tampa da barra de corte.** O manuseamento correcto do corta-sebes irá reduzir possíveis danos pessoais provocados pelas lâminas de corte.
- ◆ **Segure a ferramenta elétrica só pelas áreas isoladas, porque a lâmina de corte pode entrar em contacto com a cablagem oculta ou com o próprio cabo.** As lâminas de corte em contacto com um cabo "electrificado" poderão expor peças metálicas do sistema eléctrico da ferramenta e provocar um choque eléctrico ao operador.
- ◆ **Mantenha o cabo afastado da área de corte.** Durante o funcionamento, o cabo pode ficar escondido em arbustos e pode ser cortado acidentalmente pelas lâminas.
- ◆ **A utilização adequada é descrita neste manual de instruções.** A utilização de qualquer acessório ou a realização de qualquer operação com esta ferramenta que não se inclua no presente manual de instruções pode representar um risco de ferimentos e/ou danos materiais.
- ◆ **Se nunca utilizou o corta-sebes anteriormente, procure obter instruções práticas de um utilizador com experiência como complemento a este manual.**
- ◆ **Nunca toque nas lâminas enquanto a ferramenta estiver em funcionamento.**

- ◆ Nunca force a imobilização das lâminas.
- ◆ Não pouse a ferramenta até que as lâminas parem completamente.
- ◆ Verifique regularmente se existem danos e desgaste nas lâminas. Não utilize a ferramenta quando as lâminas estiverem danificadas.
- ◆ Ao aparar, evite objectos rígidos (cablagem de metal, calhas). Se a ferramenta entrar acidentalmente em contacto com estes objectos, desligue-a imediatamente e verifique se ocorreram danos.
- ◆ Se a ferramenta começar a vibrar anormalmente, desligue-a de imediato, retire a ficha da tomada eléctrica e verifique se ocorreram danos.
- ◆ Se a ferramenta encravar, desligue-a imediatamente. Retire a ficha da tomada eléctrica antes de tentar remover qualquer obstrução.
- ◆ Depois da utilização, coloque a protecção da lâmina fornecida. Guarde a ferramenta, certificando-se de que a lâmina não está exposta.
- ◆ Certifique-se sempre de que todas as protecções estão colocadas quando utilizar a ferramenta. Nunca tente utilizar uma ferramenta não completa ou uma ferramenta com modificações não autorizadas.
- ◆ Não permita que as crianças mexam na ferramenta.
- ◆ Tenha atenção aos detritos prestes a cair quando cortar as partes mais altas de uma sebe.
- ◆ Segure sempre a ferramenta com ambas as mãos e pelos punhos fornecidos.

### Riscos residuais

Podem surgir riscos residuais adicionais durante a utilização da ferramenta, que poderão não constar nos avisos de segurança incluídos. Estes riscos podem resultar de má utilização, uso prolongado, etc.

Mesmo com o cumprimento dos regulamentos de segurança relevantes e a implementação de dispositivos de segurança, alguns riscos residuais não podem ser evitados. Estes incluem:

- ◆ Ferimentos causados pelo contacto com peças em rotação/movimento.
- ◆ Ferimentos causados durante a troca de peças, lâminas ou acessórios.
- ◆ Ferimentos causados pela utilização prolongada de uma ferramenta. Quando utilizar uma ferramenta durante períodos prolongados, certifique-se de que faz pausas regularmente.
- ◆ Danos auditivos.
- ◆ Problemas de saúde causados pela inalação de poeiras resultantes da utilização da ferramenta (exemplo: trabalhos em madeira, especialmente carvalho, faia e MDF.)

### Vibração

Os valores de emissão de vibração declarados na secção de dados técnicos e na declaração de conformidade foram medidos de acordo com o método de teste padrão fornecido pela norma EN 60745 e podem ser utilizados para comparar ferramentas. O valor de emissão de vibração declarado pode ainda ser utilizado numa avaliação preliminar de exposição.

**Atenção!** O valor de emissão de vibração durante a utilização real da ferramenta eléctrica pode ser diferente do valor declarado, dependendo da forma como a ferramenta é utilizada. O nível de vibração pode aumentar acima do nível indicado.

Quando avaliar a exposição da vibração para determinar as medidas de segurança exigidas pela Directiva 2002/44/CE para proteger pessoas que utilizem regularmente ferramentas eléctricas na sua atividade profissional, deve ser considerada uma estimativa de exposição de vibração, as condições reais de utilização e o modo de utilização da ferramenta, incluindo ainda todas as partes do ciclo de funcionamento, como os períodos de inatividade e espera da ferramenta, além do tempo de funcionamento.

### Etiquetas colocadas na ferramenta

A ferramenta apresenta os seguintes pictogramas de aviso juntamente com o código de data:



**Atenção!** Para reduzir o risco de ferimentos, o utilizador deve ler o manual de instruções.



Utilize óculos ou viseiras de proteção quando utilizar esta ferramenta.



Utilize protectores dos ouvidos quando utilizar esta ferramenta.



Desligue imediatamente o cabo da ficha principal se este ficar danificado ou cortado.



Não exponha a ferramenta à chuva ou humidade elevada.



A potência sonora está em conformidade com a Directiva 2000/14/CE.

### Segurança elétrica



Esta ferramenta tem isolamento duplo. Por esse motivo, não precisa de ligação à terra. Verifique sempre se a tensão da tomada de eletricidade corresponde à voltagem indicada na placa com os requisitos de alimentação da ferramenta.

- ◆ Se o cabo de alimentação estiver danificado, terá de ser substituído pelo fabricante ou por um Centro de Assistência autorizado BLACK+DECKER, de modo a evitar situações de perigo.
- ◆ Quando utilizar a ferramenta ao ar livre, utilize cabos de extensão apropriados para esse fim. Pode utilizar um cabo de extensão BLACK+DECKER com a classificação adequada até 30 m sem perda de energia.
- ◆ A segurança eléctrica pode ser melhorada mediante o uso de um Dispositivo de Corrente Residual (RCD) de alta sensibilidade (30 mA).

## Componentes

Esta ferramenta inclui algumas ou todas as características seguintes.

1. Lâmina
2. Protecção
3. Pega auxiliar
4. Botão de desbloqueio
5. Interruptor de accionamento
6. Alavanca do interruptor
7. Fixação de cabos
8. Lâmina da serra
9. Apoio da lâmina da serra

## Montagem

**Atenção!** Antes de tentar montar, certifique-se de que a ferramenta está desligada da corrente e a protecção da lâmina de serra está sobre as lâminas.

### Fixar a protecção no aparador (Fig. A, B)

O aparador é fornecido com a protecção desmontada do aparador. Para retirar a protecção:

- ◆ Retire o parafuso de fixação da protecção 10 com uma chave de fendas Philips (não fornecida).
- ◆ Posicione a protecção no respectivo local, como indicado na Fig. A, certificando-se de que a protecção encaixa nas ranhuras da unidade.
- ◆ Insira o parafuso de fixação 10 na abertura na parte lateral da protecção e aperte-o com firmeza, como indicado na Fig. B.

**Atenção!** Utilize apenas a pega e a protecção montados correctamente no corta-sebes. A utilização do corta-sebes sem a protecção ou o punho adequados fornecidos pode resultar em ferimentos graves.

### Colocar as extensões no aparador (Fig. C)

Está incorporado um sistema de fixação da extensão (7) na traseira da alavanca do interruptor (6).

- ◆ Perto da extremidade da extensão, dobre a extensão para fazer um laço.
- ◆ Insira o laço no compartimento do sistema de fixação da extensão 11, como indicado na Fig. C.

- ◆ Prensar o laço no sistema de fixação da extensão 7 para que fique colocado no sistema de fixação da extensão.
- ◆ Ligue a extensão na unidade.

### Posição correcta das mãos (Fig. D)

Segure sempre no aparador, como indicado nas ilustrações deste manual, com uma mão a segurar a alavanca do interruptor e com a outra mão na pega auxiliar (Fig. D). Nunca segure a unidade pelo resguardo da lâmina.

## Utilização

**Atenção!** Não altere o ritmo de funcionamento da ferramenta. Não sobrecarregue.

### Ligar e desligar

**Nota:** Para sua segurança, esta ferramenta encontra-se equipada com um sistema de dois interruptores. Este sistema evita que a ferramenta arranque inadvertidamente e apenas irá funcionar quando segurar a ferramenta com ambas as mãos.

### Ligar (Fig. E)

- ◆ Para "LIGAR" a ferramenta, deve premir o interruptor da pega auxiliar (4) para trás e o interruptor de gatilho da pega principal (5). Para manter a unidade em funcionamento, deve continuar ambos os interruptores. Para desligar a unidade, liberte o interruptor da pega auxiliar ou o interruptor de gatilho.

**Atenção!** Nunca tente bloquear um interruptor de ligação na posição de ligado.

- ◆ Lubrifique regularmente as lâminas.

### Linhas de orientação para aparar

### Extensão (Fig. F)

- ◆ Mantenha sempre a extensão por trás do aparador e afastada da operação de corte, como indicado na Figura F. Nunca a enrole à volta de uma sebe que pretenda aparar. Se cortar ou danificar o cabo, desligue-o de imediato da tomada, antes de inspeccionar ou reparar o cabo.

### Posição de trabalho

- ◆ Mantenha sempre os pés bem apoiados e em equilíbrio apropriado e não tente chegar a pontos fora do alcance.
- ◆ Use óculos de protecção e luvas de borracha e calçado anti-aderente quando efectuar cortes.
- ◆ Segure na unidade com firmeza com ambas as mãos e ligue a ferramenta. Segure sempre no aparador, como indicado na Fig. D, com uma mão a segurar a alavanca do interruptor e com a outra mão na pega auxiliar. Nunca segure a ferramenta pelo resguardo da lâmina.

### Cortar relva recém-crescida (Fig. G)

- ◆ Um amplo movimento de varrimento dos dentes da lâmina pelos ramos é muito eficaz. Uma ligeira inclinação para baixo da lâmina, na direcção do movimento, permite o corte mais adequado.

**Atenção!** Não utilize o aparador para cortar sebes com mais de 16 mm. Utilize o aparador apenas para cortar arbustos normais à volta de casas e edifícios.

### Aparar sebes (Fig. H)

- ◆ Para obter sebes muito bem niveladas, pode esticar um fio ao longo do comprimento da sebe como orientação.

### Corte lateral de sebes (Fig. I)

- ◆ Comece pela parte de baixo e corte para cima.

### Lâmina da serra (Fig. J)

- ◆ Se houver ramos demasiado compridos para serem cortados pela lâmina (1), utilize a lâmina da serra (8). Posicione a lâmina da serra o mais próximo possível da parte inferior do ramo. Encoste o apoio da lâmina da serra (9) ao ramo. Ligue o corta-sebes como descrito acima, para que a ferramenta funcione ao seu próprio ritmo até o ramo ser cortado por completo.

As lâminas de corte são compostas por aço endurecido de elevada qualidade, e com a utilização normal, não têm de ser afiadas novamente. Contudo, se bater acidentalmente numa cerca de arame metálico (Fig. L), pedras, vidro ou outros objectos duros, pode causar uma falha na lâmina. Não é necessário reparar esta fenda, desde que não interfira com o movimento da lâmina. Se interferir, retire o cabo e utilize uma lima com dentes finos ou uma pedra de amolar para reparar a falha. Se deixar cair o aparador, inspecione com cuidado se apresenta danos. Se a lâmina estiver dobrada, o compartimento tiver fendas ou os punhos ou se verificar a presença de qualquer outra situação que possa afectar o funcionamento do aparador, contacte um centro de assistência da BLACK+DECKER local para proceder à reparação antes de voltar a utilizar a ferramenta.

Os fertilizantes e outros químicos de jardinagem contêm agentes que aceleram bastante a corrosão de metais. Não armazene a unidade junto de fertilizantes ou produtos químicos.

### Acessórios

O desempenho da sua ferramenta depende do acessório utilizado. Os acessórios BLACK+DECKER são concebidos segundo normas de elevada qualidade e desenvolvidos de modo a melhorar o desempenho da sua ferramenta. Utilizando estes acessórios, tirará o melhor partido da sua ferramenta.

### Manutenção

O seu aparelho/ferramenta com/sem fios BLACK+DECKER foi concebido para funcionar durante muito tempo, com um mínimo de manutenção. Uma utilização continuamente satisfatória depende de uma manutenção apropriada da ferramenta e de uma limpeza regular.

Está disponível óleo de lubrificação junto do seu revendedor BLACK+DECKER (cat. n.º A6102-XJ):

**Atenção!** Antes de proceder a qualquer ação de manutenção em ferramentas eléctricas com cabo/sem fios:

- ◆ Desligue o aparelho/ferramenta e retire a respectiva ficha da tomada.
- ◆ Ou desligue e remova a bateria do aparelho/ferramenta caso o aparelho/ferramenta tenha uma bateria individual.
- ◆ Ou deixe a bateria descarregar completamente se estiver incorporada e, em seguida, desligue-a.
- ◆ Desligue o carregador antes de o limpar. O seu carregador não necessita de manutenção para além da limpeza regular.
- ◆ Limpe regularmente as aberturas de ventilação do aparelho/ferramenta/carregador com uma escova macia ou um pano seco.
- ◆ Limpe regularmente o compartimento do motor com um pano húmido. Não utilize produtos de limpeza abrasivos ou à base de dissolventes.
- ◆ Após a utilização, limpe as lâminas com cuidado. Após a limpeza, aplique uma película de óleo ligeiro para máquinas para evitar o aparecimento de ferrugem.

### Proteção do ambiente



Faça uma recolha de lixo seletiva. Os produtos e as baterias assinaladas com este símbolo não devem ser eliminados juntamente com o lixo doméstico normal.

Os produtos e as baterias contêm materiais que podem ser recuperados ou reciclados, reduzindo assim a necessidade de matérias-primas.

Recicle os produtos eléctricos e as baterias de acordo com as disposições locais. Estão disponíveis mais informações em [www.2helpU.com](http://www.2helpU.com)

## Resolução de problemas

Problema	Causa possível	Solução possível
Funcionamento lento, com ruído ou as lâminas estão quentes.	Lâminas secas e corroidas.	Lubrifique as lâminas.
	As lâminas ou o suporte da lâmina dobrados.	Endireite a lâmina ou o respectivo suporte.
	Dentes dobrados ou danificados.	Endireite os dentes.
	Parafusos da lâmina soltos.	Aperte os parafusos da lâmina.
A unidade não é iniciada.	O desbloqueio não está totalmente funcional.	Verifique se o desbloqueio está totalmente premido antes de carregar no gatilho principal.
	O fio não está ligado.	Ligue o cabo a uma tomada com corrente elétrica.
	O fusível do circuito fundiu.	Substitua o fusível do circuito. (Caso o produto queime o fusível do circuito repetidamente, interrompa a sua utilização de imediato e leve o rádio para reparação a um centro de assistência ou reparador autorizado BLACK+DECKER)
	O disjuntor disparou.	Reponha o disjuntor. (Caso o produto faça com que o disjuntor dispare várias vezes, interrompa a sua utilização de imediato e leve o rádio para reparação a um centro de assistência ou reparador autorizado BLACK+DECKER)
	O cabo ou o interruptor estão danificados.	Substitua o cabo ou o interruptor num reparador autorizado ou num centro de assistência autorizado BLACK+DECKER.

Nível de pressão acústica de acordo com a norma EN 60745:
Nível de pressão acústica na posição do operador ( $L_{pA}$ ) 89 dB(A), imprecisão (K) 3,5 dB(A)
Nível de potência acústica ( $L_{WA}$ ) 98 dB(A), imprecisão (K) 2,0 dB(A)
Valores totais de vibração (soma de vetores triaxiais) de acordo com EN 60745:
Valor de emissão de vibrações ( $a_{R,D}$ ) 4,1 $m/s^2$ , imprecisão (K) 2,1 $m/s^2$

## Declaração de conformidade CE

DIRETIVA "MÁQUINAS"  
DIRECTIVA SOBRE RUÍDO EXTERIORBEHTS301, BEHTS401, BEHTS451,  
BEHTS501 – Corta-sebes

A Black & Decker declara que os produtos descritos nos "dados técnicos" estão em conformidade com: EN 60745-1:2009 +A11:2010, EN 60745-2-15:2009 +A1:2010

2000/14/CE, corta-sebes, Anexo V  
Nível de potência acústica medida ( $L_{WA}$ ) 98 dB(A)  
Imprecisão (K) = 2,0 dB(A)  
Potência acústica garantida ( $L_{WA}$ ) 100 dB(A)

Estes produtos estão também em conformidade com a Directiva 2006/42/CE, 2014/30/UE e 2011/65/UE.

Para obter mais informações, contacte a Black & Decker através do endereço seguinte ou consulte o verso do manual.

O signatário é responsável pela compilação do ficheiro técnico e efetua esta declaração em nome da Black & Decker.

A. Smith  
Technical Director  
Black & Decker Europe, 210 Bath Road, Slough,  
Berkshire, SL1 3YD  
Reino Unido  
22/01/2019

## Garantia

A Black & Decker confia na qualidade dos seus produtos e oferece aos clientes uma garantia de 24 meses a partir da data de compra. Esta garantia é um complemento dos seus direitos estabelecidos por lei, não os prejudicando de forma alguma. A garantia é válida nos Estados-membros da União Europeia e nos países-membros da Zona Europeia de Comércio Livre.

## Dados técnicos

		BEHTS301 Tipo 1	BEHTS401 Tipo 1
Tensão	$V_{AC}$	230	230
Alimentação	W	500	500
Cursos da lâmina (sem carga)	min. <sup>-1</sup>	1850	1835
Comprimento da lâmina	cm	50	55
Intervalo entre as lâminas	mm	22	22
Tempo de paragem das lâminas	s.	<1	<1
Corte máximo da lâmina da serra	mm	35	35
Peso	kg	2,47	2,54

		BEHTS451 Tipo 1	BEHTS501 Tipo 1
Tensão	$V_{AC}$	230	230
Alimentação	W	550	600
Cursos da lâmina (sem carga)	min. <sup>-1</sup>	1870	1840
Comprimento da lâmina	cm	60	60
Intervalo entre as lâminas	mm	25	25
Tempo de paragem das lâminas	s.	<1	<1
Corte máximo da lâmina da serra	mm	35	35
Peso	kg	2,65	2,65

Para acionar a garantia, esta deve estar em conformidade com os termos e condições da Black & Decker e terá de apresentar o comprovativo de compra ao vendedor ou a um agente de reparação autorizado. Os termos e condições da garantia de 2 anos da Black & Decker e a localização do agente de reparação autorizado mais próximo podem ser obtidos na Internet em [www.2helpU.com](http://www.2helpU.com) ou contactando uma filial da Black & Decker, cuja morada está indicada neste manual.

Visite o nosso Website [www.blackanddecker.co.uk](http://www.blackanddecker.co.uk) para registar o novo produto Black & Decker e manter-se atualizado relativamente a novos produtos e ofertas especiais.

## Avsedd användning

Din BLACK+DECKER™ BEHTS301, BEHTS401, BEHTS451, BEHTS501 häcksaxar är konstruerad för klippning av häckar, buskar och snår. Dessa verktyg är endast avsedda för konsumentbruk.

## Säkerhetsinstruktioner

### Allmänna säkerhetsanvisningar för elverktyg



**Varning!** Läs alla säkerhetsvarningar och instruktioner. Fel som uppstår till följd av att varningarna och instruktionerna som listas nedan inte följts kan orsaka elstöt, brand och/eller allvarliga kroppsskador.

### Spara alla säkerhetsföreskrifter och anvisningar för framtida bruk.

Termen "elverktyg" i varningarna syftar på ditt nätslutna (med kabel) elverktyg eller batteridrivna (sladdlösa) elverktyg.

#### 1. Säkerhet på arbetsplatsen

- Se till att arbetsområdet är rent och väl belyst.** Belamrade och mörka områden inbjuder till olyckor.
- Använd inte elverktyget i explosionsfarlig omgivning, t.ex. i närheten av brännbara vätskor, gaser eller damm.** Elverktyg skapar gnistor som kan antända damm eller ångor.
- Håll barn och åskådare på avstånd vid arbete med elverktyget.** Distraktioner kan göra att du förlorar kontrollen.

#### 2. Elsäkerhet

- Elverktygets stickkontakt måste passa i eluttaget. Modifiera aldrig kontakten på något sätt. Använd inga adapterkontakter tillsammans med jordade elverktyg.** Icke modifierade kontakter och passande uttag minskar risken för elektrisk stöt.
- Undvik kroppskontakt med jordade ytor, t.ex. rör, värmeelement, spisar och kylskåp.** Det finns en ökad risk för elektrisk stöt om din kropp är jordansluten eller jordad.
- Utsätt inte elverktyget för regn eller våta omgivelningar.** Vatten som kommer in i ett elverktyg ökar risken för elektrisk stöt.
- Misshandla inte nätsladden. Använd aldrig sladden för att bära, dra eller koppla bort elverktyget från uttaget. Håll sladden borta från värme, olja, skarpa kanter eller rörliga delar.** Skadade eller tilltrasslade sladdar ökar risken för elektrisk stöt.
- Använd en förlängningssladd som lämpar sig för utomhusbruk när du arbetar med elverktyg utomhus.** Användning av en sladd som är lämplig för utomhusbruk minskar risken för elektriska stötar.
- Om du måste använda ett elverktyg på en fuktig plats, bör du använda en strömförsörjning med jordfelsbrytare.** Användning av en jordfelsbrytare minskar risken för elektrisk stöt.

#### 3. Personlig säkerhet

- Var uppmärksam, se på vad du gör och använd sunt omdöme när du använder elverktyget. Använd inte ett elverktyg när du är trött eller påverkad av droger, alkohol eller mediciner.** Ett ögonblicks ouppmärksamhet när du arbetar med elektriska verktyg kan leda till allvarliga personskador.
- Använd personlig skyddsutrustning. Använd alltid skyddsglasögon.** Skyddsutrustning såsom dammfilterskydd, halksäkra säkerhetsskor, skyddshjälm eller hörselskydd som används för lämpliga förhållanden minskar personskador.
- Förhindra oavsiktlig start. Kontrollera att strömbrytaren står i avstängt läge innan du ansluter verktyget till elnätet eller sätter i batteriet, samt innan du tar upp eller bär verktyget.** Att bära elektriska verktyg med fingret på strömbrytaren eller att koppla strömmen till elektriska verktyg när strömbrytaren är på leder till olyckor.
- Ta bort alla inställningsverktyg och skruvnycklar innan du startar elverktyget.** Ett verktyg eller en nyckel som har lämnats kvar på en roterande del av det elektriska verktyget kan orsaka kroppsskador.
- Sträck dig inte för mycket. Ha ordentligt fotfäste och balans hela tiden.** Detta möjliggör bättre kontroll av elverktyget i oväntade situationer.

- f. **Bär lämpliga kläder. Bär inte lösa kläder eller smycken. Håll hår, beklädnad och handskar borta från delar i rörelse.** Lösa kläder, smycken eller långt hår kan fastna i rörliga delar.
- g. **Om enheten har dammsugnings- och uppsamlingsutrustning, se till att den är ansluten och används på korrekt sätt.** Användning av dammuppsamling kan minska dammrelaterade risker.

#### 4. Användning och skötsel av elverktyg

- a. **Överbelasta inte elverktyget. Använd rätt elverktyg för ditt arbete.** Det korrekta elverktyget gör arbetet bättre och säkrare vid den hastighet för vilket det konstruerades.
- b. **Använd inte elverktyget om det inte kan startas och stängas av med strömbrytaren.** Ett elverktyg som inte kan kontrolleras med strömbrytaren är farligt och måste repareras.
- c. **Dra stickproppen ur vägguttaget och/eller ta ut batteriet ur elverktyget innan inställningar görs, tillbehör byts ut eller elverktyget ställs undan.** Sådana förebyggande säkerhetsåtgärder minskar risken att oavsiktligt starta elverktyget.
- d. **Förvara elverktyg utom räckhåll för barn och låt inte personer som är ovana vid elverktyget eller som inte läst denna bruksanvisning använda det.** Elverktyg är farliga i händerna på ovana användare.
- e. **Underhålla elverktyg. Kontrollera att rörliga komponenter fungerar felfritt och inte kärvar, att komponenter inte gått sönder eller skadats och inget annat föreligger som kan påverka elverktygets funktion. Om det är skadat, se till att elverktyget blir reparerat före användning.** Många olyckor orsakas av dåligt underhållna elektriska verktyg.
- f. **Håll skärande verktyg vassa och rena.** Korrekt underhållna kapverktyg med vassa skär är mindre troliga att de fastnar och är lättare att kontrollera.
- g. **Använd elverktyg, tillbehör, bits m.m. enligt dessa anvisningar, samtidigt som arbetsförhållandena och det arbete som ska utföras beaktas.** Användning av elverktyget för andra uppgifter än vad som avsetts kan resultera i farliga situationer.

#### 5. Service

- a. **Låt en kvalificerad reparatör som bara använder identiska reservdelar utföra service på elverktyget.** Detta säkerställer att elverktygets säkerhet bibehålles.

#### Ytterligare säkerhetsanvisningar för elverktyg



**Varning!** Ytterligare säkerhetsanvisningar för häcksaxar

- ◆ **Håll alla kroppsdelar borta från skärbladet. Ta inte bort klippmaterial och håll inte i material som ska klippas medan bladen rör sig. Kontrollera att strömbrytaren är av när du rensar fastnat material.** När verktyget används kan ett ögonblicks ouppmärksamhet leda till allvarliga kroppsskador.
- ◆ **Bär häcksaxen i handtaget med stoppat skärblad. Se alltid till att svärdskyddet är på under transport eller förvaring.** Rätt hantering av häcktrimmern minskar risken för kroppsskador av klippbladen.
- ◆ **Håll endast elverktyget i de isolerade greppytorna eftersom det finns risk för att hyvelstålet kommer i kontakt med sin egen nåtsladd.** Om skärbladen får kontakt med strömförande ledningar kan verktygets metalldelar bli strömförande och ge dig en elektrisk stöt.
- ◆ **Håll sladden borta från klippområdet.** Under drift kan kabeln döljas bland kvistar och blad och kan därför komma att klippas av oavsiktligt.
- ◆ Den avsedda användningen beskrivs i denna bruksanvisning. Om andra tillbehör eller tillsatser används, eller om någon annan verksamhet än den som rekommenderas i den här bruksanvisningen genomförs med verktyget, kan personer och/eller egendom ta skada.
- ◆ Om du inte har använt häcksaxar förut, bör du förutom att läsa denna bruksanvisning också fråga en erfaren användare om råd.
- ◆ Vidrör aldrig bladen när verktyget är igång.
- ◆ Försök aldrig tvinga bladen att stanna.
- ◆ Lägg inte ned verktyget förrän bladen har stannat helt.
- ◆ Kontrollera regelbundet om bladen är skadade eller slitna. Använd inte verktyget om bladen är skadade.
- ◆ Undvik hårda föremål (t.ex. stålträdsstaket och räcken) när du klipper. Om du skulle råka komma åt något sådant föremål måste du omedelbart stänga av verktyget och kontrollera eventuella skador.
- ◆ Om verktyget skulle börja vibrera onormalt måste du omedelbart stänga av det, bryta nätanslutningen och därefter kontrollera eventuella skador.
- ◆ Stäng av verktyget direkt om det kör fast. Koppla bort det från nätuttaget innan du försöker ta bort eventuella föremål som kan ha fastnat.
- ◆ Montera det medföljande bladskyddet över bladen efter användning. Förvara verktyget så att bladen inte exponeras.
- ◆ Se alltid till att alla skydd är monterade när du använder verktyget. Försök aldrig att använda ett ofullständigt verktyg med icke auktoriserade ändringar.
- ◆ Låt aldrig barn använda verktyget.
- ◆ Se upp för nedfallande bråte när du klipper höga häckar.
- ◆ Håll alltid i verktyget med båda händerna i de därför avsedda handtagen.

## Övriga risker

Ytterligare risker som inte finns med i de bifogade säkerhetsanvisningarna kan uppstå när verktyget används. Dessa risker kan uppstå vid felaktig eller långvarig användning, etc. Även om alla relevanta säkerhetsanvisningar följs och säkerhetsanordningar används kan vissa ytterligare risker inte undvikas. Dessa omfattar:

- ◆ Skador orsakade av att roterande/rörliga delar vidrörs.
- ◆ Skador som uppstår vid byte av delar, blad eller tillbehör.
- ◆ Skador som orsakas av långvarig användning av ett verktyg. Se till att regelbundet ta vilopausar när du använder ett verktyg under en längre period.
- ◆ Nedsatt hörsel.
- ◆ Hälsorisker till följd av inandning av damm när redskapet används (exempel: arbete med trämaterial, särskilt ek, bok och MDF.)

## Vibrationer

De vibrationsvärden som anges i avsnitten Tekniska data och deklarationen om överensstämmelse har uppmätts i enlighet med en standardtestmetod föreskriven i EN 60745 och kan användas för jämförelse med andra verktyg. Det angivna vibrationsvärdet kan även användas för en preliminär bedömning av exponeringen.

**Varning!** Vibrationsvärdet under faktisk användning av elverktyget kan skilja sig från det uppgivna värdet beroende på hur verktyget används. Vibrationsnivån kan överstiga den uppgivna nivån.

Vid uppskattningar av exponering för vibrationer i syfte att bedöma vilka säkerhetsåtgärder som är nödvändiga enligt 2002/44/EG för att skydda personer som regelbundet använder elverktyg i arbetet ska man utgå från de faktiska omständigheter under vilka elverktyget används och sättet på vilket det används. Bedömningen ska även ta hänsyn till alla moment i arbetscykeln, t.ex. när verktyget är avstängt och när det går på tomgång såväl som när det faktiskt används.

## Etiketter på verktyget

Följande varningssymboler finns på verktyget, tillsammans med datumkoden:



**Varning!** Läs bruksanvisningen före användning för att minska risken för personskador.



Bär alltid skydds- eller korgglasögon när du använder verktyget.



Bär alltid hörselskydd när du använder verktyget.



Dra omedelbart ur sladden om den skadas eller sågas av.



Utsätt inte verktyget för regn och väta.



Garanterad ljudnivå enligt direktiv 2000/14/EG.

## Elsäkerhet



Eftersom verktyget är dubbelisolerat behövs ingen jordledare. Kontrollera alltid att spänningen på nätet motsvarar den spänning som finns angiven på märkplåten.

- ◆ Om nätsladden är skadad, måste den för att undvika risker, bytas ut av tillverkaren eller en auktoriserad BLACK+DECKER-verkstad.
- ◆ Använd endast förlängningssladdar som är godkända för utomhusbruk när du använder verktyget utomhus. En förlängningssladd från BLACK+ DECKER på upp till 30 m med lämpliga märkspecifikationer kan användas utan spänningsförlust.
- ◆ Elsäkerheten kan förbättras ytterligare genom att man använder en jordfelsbrytare med hög känslighet (30 mA).

## Funktioner

Detta verktyg har några eller samtliga av följande funktioner.

1. Klinga
2. Skydd
3. Hjälpbandtag
4. Låsknapp
5. Strömbrytare
6. Brytarhandtag
7. Sladdhållare
8. Sågblad
9. Sågbladssko

## Montering

**Varning!** Innan du monterar häcksaxen ska du kontrollera att verktyget är avstängt och att bladskyddet sitter på.

## Fästa skydd på trimmern (bild A, B)

Trimmern levereras med skyddet icke monterat. Fästa skyddet:

- ◆ Ta bort skyddets fästskruv 10 med en stjärnskruvmejsel (medföljer inte).
- ◆ Placera skyddet på plats såsom visas i bild A. Se till att skyddets placeras i skårorna på enheten.
- ◆ Sätt in skyddets fästskruv 10 i öppningen på skyddet och dra åt såsom visas i bild B.

**Varning!** Använd endast med skyddet och handtaget ordentligt monterade på häcksaxen. Användning av häcksaxen utan det riktiga skyddet eller det medföljande handtaget kan leda till allvarliga kroppsskador.



## Fästa förlängningssladden på trimmern (bild C)

En sladdhållare (7) sitter på baksidan av manöverhandtaget (6).

- ◆ I änden av förlängningssladden, vik förlängningssladden för att göra en ögla.
- ◆ Mata in öglan i sladdhållarhöljet 11 såsom visas i bild C.
- ◆ Haka fast öglan i sladdhållaren 7 så att den vilar i sladdhållaren.
- ◆ Anslut förlängningssladden till enheten.

## Korrekt handposition (bild D)

Håll alltid i häcksaxen på det sätt som illustrationerna i denna bruksanvisning visar, med en hand på avtryckaren och en hand på extra handtaget (bild D). Håll aldrig enheten i bladskyddet.

## Användning

**Varning!** Låt verktyget arbeta i sin egen takt. Överbelasta inte.

## Slå på och stänga av

**Notera:** Verktyget är för din säkerhet utrustad med dubbla strömbrytare. Systemet motverkar oavsiktlig start av verktyget och medger drift endast om man håller i verktyget med bägge händerna.

## Slå på (bild E)

- ◆ För att slå på verktyget måste du klämma in både extrahandtagets omkopplare (4) bakåt och klämma in huvudhandtagets avtryckare (5). För att hålla enheten i gång måste du hela tiden klämma in båda avtryckarna. För att stänga av enheten, släpp antingen extrahandtagets omkopplare eller avtryckaren.

**Varning!** Försök aldrig låsa en brytaren i påslaget läge.

- ◆ Olja bladen regelbundet.

## Riktlinjer för klippning

### Förlängningssladd (bild F)

- ◆ Håll alltid förlängningssladden bakom häcksaxen och undan från trimningsarbetet såsom visas i bild F. Dra den aldrig över en häck som trimmas. Om du klipper av eller skadar sladden, koppla omedelbart bort den från uttaget innan inspektion eller reparation.

## Arbetsposition

- ◆ Se till att du alltid har säkert fötteste och balans och inte sträcker dig för långt.
- ◆ Använd skyddsglasögon och halksäkra skor när du trimmar.
- ◆ Håll verktyget stadigt med båda händerna och slå PÅ enheten. Håll alltid i häcksaxen såsom visas i bild D, med en hand på avtryckarhandtaget och en hand på extra handtaget. Håll aldrig enheten i bladskyddet.

## Trimma ny vegetation (bild G)

- ◆ En vid, svepande rörelse som matar in bladets tänder genom kvistarna är effektivast. Att rikta bladet en aning nedåt i rörelseriktningen ger bäst klippningsresultat.

**Varning!** Använd inte häcksaxen för att klippa stammar som är större än 16 mm. Använd endast häcksaxen för att klippa normala buskage runt hus och byggnader.

## Jämna häckar (bild H)

- ◆ För att åstadkomma extremt jämna häckar kan ett snöre spännas längs häcken som guide.

## Klippa häcksidor (bild J)

- ◆ Börja nederst och svep uppåt.

## Sågblad (bild J)

- ◆ Använd sågbladet (8) vid för stora grenar att klippa för sågblad (1). Placera sågbladet så nära grenens fäste som möjligt. Placera sågbladsfoten (9) mot grenen. Slå på häcksaxen enligt beskrivningen ovan, låt sedan verktyget arbeta i sin egen takt tills grenen är helt avklippt.

Sågbladet är tillverkade av härdat stål av hög kvalitet och behöver inte vässas vid normal användning. Men om du i misstag klipper i ett trädstängsel (bild L), glas eller andra hårda objekt, kan det uppstå ett hack blad. Det är inte nödvändigt att avlägsna detta hack så länge det inte stör bladets rörelse. Om det stör, koppla ifrån sladden och använd en fintandad fil eller en slipsten för att avlägsna hacket. Om du tappar häcksaxen, kontrollera noggrant att den inte är skadad. Om bladet är böjt, höljet sprucket, handtagen trasiga eller om du lägger märke till något annat som kan påverka häcksaxens funktion, ta kontakt med ditt lokala BLACK+DECKER Service Center för att få den reparerad innan du använder den igen. Gödningssmedel och andra trädgårdskemikalier innehåller ämnen som i hög grad påskyndar korrosion av metaller. Förvara inte enheten på eller i närheten av gödningsämnen eller kemikalier.

## Tillbehör

Verktygets prestanda beror på vilka tillbehör du använder. Tillbehör från BLACK+DECKER håller hög kvalitet och är konstruerade för att fungera optimalt med verktyget. Genom att använda dessa tillbehör får du ut mesta möjliga av verktyget.

## Underhåll

Din kabelanslutna/sladdlösa BLACK+DECKER-apparat/verktyg är konstruerad för att fungera en lång tid med minsta möjliga underhåll. Kontinuerlig tillfredsställande drift beror på ordentlig verktygsvård och regelbunden rengöring. Smörjolja finns att köpa hos din BLACK+DECKER-återförsäljare (katalognr A6102-XJ).

**Varning!** Innan något underhåll utförs på sladdanslutna/sladdlösa elverktyg:

- ◆ Stäng av apparaten/verktyget och dra ur nätkontakten.
- ◆ Eller stäng av och ta bort batteriet ur apparaten/verktyget om det har ett separat batteripaket.
- ◆ Eller töm batteriet fullständigt om det är integrerat och stäng sedan av maskinen.
- ◆ Dra ut laddaren från uttaget innan den rengörs. Laddaren behöver inget annat underhåll än regelbunden rengöring.
- ◆ Rengör regelbundet apparatens/verktygets/laddarens ventilationsöppningar med en mjuk borste eller torr trasa.
- ◆ Rengör motorhöljet regelbundet med en fuktig trasa. Använd aldrig något slipande eller lösningsmedelsbaserat rengöringsmedel.
- ◆ Rengör bladen noggrant efter användning. Lägg på en film lätt smörjolja efter rengöringen, så att bladen inte rostar.

## Skydda miljön



Separat insamling. Produkter och batterier som är markerade med denna symbol får inte kastas i de vanliga hushållssoporna.

Produkter och batterier innehåller material som kan återanvändas eller återvinnas för att minska behovet av råmaterial.

Återvinn elektriska produkter och batterier enligt lokala bestämmelser. Närmare information finns tillgänglig på [www.2helpU.com](http://www.2helpU.com)

## Felsökning

Problem	Möjlig orsak	Möjlig lösning
Går långsamt, bladen för oljud eller är heta.	Torra, rostiga blad.	Smörj bladen.
	Bladet eller bladets fäste är böjt.	Räta ut bladet eller bladets fäste.
	Böjda eller skadade tänder.	Räta ut tändarna.
Enheten startar inte.	Bladbultar lösa.	Spänn fast bladbultarna.
	Låsknappen har inte tryckts in ordentligt.	Kontrollera att låset är längst fram innan huvudavtryckaren kläms in.
	Sladden inte inkopplad.	Koppla in sladden i ett fungerande uttag.
	Säkring har gått.	Byt säkring. (Om produkten gör att säkringen går igen slutar du genast att använda den och lämnar in den på service hos ett BLACK+DECKER servicecenter eller auktoriserad reparatör)
Överspanningskyddet utlöses.		Återställ överspanningskyddet. (Om produkten gör att jordfelsbrytaren löser ut igen slutar du genast att använda den och lämnar in den på service hos ett BLACK+DECKER servicecenter eller auktoriserad reparatör)
	Sladd eller brytare skadad.	Låt ett BLACK+ DECKER-servicecenter eller ett annat auktoriserat servicecenter byta ut sladden eller strömbrytaren.

## Tekniska data

		BEHTS301 Typ 1	BEHTS401 Typ 1
Spänning	$V_{AC}$	230	230
Ineffekt	W	500	500
Slag per min (obelastad)	min <sup>-1</sup>	1850	1835
Knivlängd	cm	50	55
Tandavstånd	mm	22	22
Bladets stopptid	s	<1	<1
Sågblad max kapning	mm	35	35
Vikt	kg	2.47	2.54

		BEHTS451 Typ 1	BEHTS501 Typ 1
Spänning	$V_{AC}$	230	230
Ineffekt	W	550	600
Slag per min (obelastad)	min <sup>-1</sup>	1870	1840
Knivlängd	cm	60	60
Tandavstånd	mm	25	25
Bladets stopptid	s	<1	<1
Sågblad max kapning	mm	35	35
Vikt	kg	2.65	2.65

### Ljudtrycksnivå enligt EN 60745:

Ljudtrycksnivå vid operatörens position ( $L_{pa}$ ) 89 dB(A), osäkerhet (K) 3,5 dB(A)

Ljudtrycksnivå ( $L_{wa}$ ) 98 dB(A), osäkerhet (K) 2,0 dB(A)

### Totala vibrationsvärden (vektorsumman av tre axlar) enligt EN 60745:

Vibrationsvärde ( $a_{h,d}$ ) 4,1 m/s<sup>2</sup>, osäkerhet (K) 2,1 m/s<sup>2</sup>

## EG-försäkran om överensstämmelse

MASKINDIREKTIVET  
BULLERFÖRESKRIFTER, UTMOMHUS



BEHTS301, BEHTS401, BEHTS451, BEHTS501 - Häcksax

Black & Decker försäkrar att dessa produkter, beskrivna under "tekniska data" uppfyller:  
EN 60745-1:2009 + A11:2010, EN 60745-2-15:2009 + A1:2010

2000/14/EG, Häcksax, Bilaga V  
Uppmått ljudtrycksnivå ( $L_{wa}$ ) 98 dB(A)  
Osäkerhet (K) 2,0 dB(A)  
Garanterad ljudnivå ( $L_{wa}$ ) 100 dB(A)

De här produkterna uppfyller även direktiv  
2006/42/EG, 2014/30/EG och 2011/65/EU.

För ytterligare information kontakta Black & Decker på följande adress, eller se handbokens baksida.

Undertecknad är ansvarig för sammanställningen av tekniska data och gör denna försäkran för Black & Decker.



A. Smith  
Technical Director  
Black & Decker Europe, 210 Bath Road, Slough,  
Berkshire, SL1 3YD  
Storbritannien  
2019-01-22

## Garanti

Black & Decker är säker på kvaliteten hos denna produkt och erbjuder kunder 24 månaders garanti från inköpsdatumet. Garantin gäller utöver konsumentens rättigheter enligt lag och påverkar inte dessa. Garantin är giltig i de områden som tillhör medlemsstaterna i Europeiska unionen och det europeiska frihandelsområdet.

För yrkande under garantin måste yrkandet vara in enlighet med Black & Deckers villkor och du kommer att behöva skicka in bevis på köpet till försäljaren eller en auktoriserad reparatör. Villkoren för Black & Deckers tvååriga garanti och var du hittar din närmaste auktoriserade reparatör kan erhållas på internet på [www.2helpU.com](http://www.2helpU.com), eller genom att kontakta ditt lokala Black & Decker kontor på adressen som angetts i denna bruksanvisning.

Besök vår webbplats [www.blackanddecker.se](http://www.blackanddecker.se) för att registrera din nya Black & Decker-produkt samt för att få information om nya produkter och specialerbjudanden.

## Tiltenkt bruk

BLACK+DECKER™ BEHTS301, BEHTS401, BEHTS451, BEHTS501 hekksaksler er designet for trimming av hekker, busker og kratt. Disse verktøyene er bare ment som forbrukerverktøy.

## Sikkerhetsinstruksjoner

### Generelle sikkerhetsadvarsler for elektroverktøy



**Advarsel!** Les alle sikkerhetsadvarsler og alle instruksjoner. Hvis advarslene og anvisningene nedenfor ikke overholdes, kan det medføre elektrisk støt, brann og/eller alvorlige personskader.

**Ta vare på alle advarsler og instruksjoner for fremtidig bruk.** Begrepet "elektroverktøy" i advarslene gjelder nettdrevet elektroverktøy (med ledning) eller batteridrevet elektroverktøy (uten ledning).

### 1. Sikkerhet i arbeidsområdet

- Hold arbeidsområdet rent og godt opplyst.** Rotete eller mørke områder er en invitasjon til ulykker.
- Ikke arbeid med elektroverktøy i eksplosjonsfarlige omgivelser, for eksempel der det befinner seg brennbare væsker, gass eller støv.** Elektrisk verktøy skaper gnister som kan antenne støv eller gasser.
- Hold barn og andre personer unna når du bruker et elektroverktøy.** Distraksjoner kan føre til at du mister kontrollen.

### 2. Elektrisk sikkerhet

- Støpselet til verktøyet må passe til stikkkontakten. Aldri modifier støpselet på noen måte. Ikke bruk adapterstøpsler til jordede elektriske verktøy.** Umofiserte støpsler og stikkontakter som passer vil redusere risikoen for elektrisk sjokk.
- Unngå kroppskontakt med jordede overflater som rør, radiatorer, komfyrer og kjøleskap.** Det er økt risiko for elektrisk støt dersom kroppen din er jordet.
- Ikke utsett elektroverktøy for regn eller fuktighet.** Dersom det kommer vann inn i et elektrisk verktøy vil det øke risikoen for elektrisk sjokk.
- Unngå uforsvarlig behandling av ledningen. Aldri bruk ledningen til å bære, trekke eller dra ut støpselet til det elektriske verktøyet. Hold ledningen borte fra varme, olje, skarpe kanter eller bevegelige deler.** Skadede eller innviklede ledninger øker risikoen for elektrisk sjokk.
- Når du bruker et elektroverktøy utendørs, må du bruke en skjøteledning som er egnet til utendørs bruk.** Bruk av en skjøteledning beregnet for utendørs bruk reduserer risikoen for elektrisk støt.
- Hvis du ikke kan unngå å bruke elektroverktøy på et fuktig sted, må du bruke en strømforsyning som er**

**beskyttet med jordfeilbryter.** Bruk av jordfeilbryter (RCD) reduserer risikoen for elektrisk støt.

### 3. Personikkerhet

a. **Vær oppmerksom, pass på hva du gjør, og vis fornuft når du arbeider med et elektroverktøy. Ikke bruk et elektrisk verktøy dersom du er trøtt eller er påvirket av medikamenter, narkotika eller alkohol.** Ett øyeblikks uoppmerksomhet under bruk av elektriske verktøy kan føre til alvorlig personskade.

b. **Bruk personlig verneutstyr. Bruk alltid vernebriller.** Verneutstyr slik som støvmaske, sklislire vernesko, hjelm, eller hørselsvern brukt under passende forhold vil redusere personskader.

c. **Forhindre utilsiktet start. Kontroller at bryteren står i posisjon "av" før du kobler til strømkilden og/eller batteripakken, og før du tar opp eller bærer verktøyet.** Å bære elektriske verktøy med fingeren på bryteren eller å sette inn støpselet mens elektriske verktøy har bryteren på øker faren for ulykker.

d. **Fjern eventuelt innstillingsverktøy eller skruverktøy før du slår på elektroverktøyet.** Et skruverktøy eller en nøkkel som fortsatt er festet til en roterende del av elektroverktøyet, kan føre til personskade.

e. **Ikke strekk deg for langt. Ha godt fotfeste og stå støtt hele tiden.** Dette fører til at du har bedre kontroll over det elektriske verktøyet ved uventede situasjoner.

f. **Bruk egnede klær. Ikke ha på deg løstsittende klær eller smykker. Hold hår, antrekk og hansker borte fra bevegelige deler.** Løstsittende klær, smykker og langt hår kan bli fanget opp av bevegelige deler.

g. **Hvis det kan monteres støvavsug- og oppsamlingsinnretninger, må du forvisse deg om at disse er tilkoblet og brukes på riktig måte.** Bruk av støvoppsamlere kan redusere støvrelaterede farer.

### 4. Bruk og behandling av elektroverktøy

a. **Ikke bruk makt på elektroverktøyet. Bruk det elektriske verktøyet som situasjonen krever.** Det riktige elektriske verktøyet vil gjøre jobben bedre og tryggere ved den hastigheten det ble konstruert for.

b. **Ikke bruk elektroverktøyet hvis du ikke kan slå det på og av med bryteren.** Ethvert elektrisk verktøy som ikke kan kontrolleres med bryteren er farlig og må repareres.

c. **Trekk støpselet ut av stikkkontakten og/eller koble fra batteripakken på elektroverktøyet før du utfører innstillinger, bytter tilbehør eller legger elektroverktøyet bort for lagring.** Slike preventive sikkerhetsforanstaltninger reduserer risikoen for å starte det elektriske verktøyet ved et uhell.

d. **Elektroverktøy som ikke er i bruk, må oppbevares utilgjengelig for barn. Ikke la verktøyet bli brukt av personer som ikke er fortrolige med det, eller som**

**ikke kjenner disse instruksjonene.** Elektriske verktøy er farlige i hendene på utrenede brukere.

e. **Sørg for vedlikehold av elektroverktøy. Undersøk om bevegelige deler er feiljustert eller blokkert, om deler er skadet, og om det er andre forhold som kan påvirke elektroverktøets funksjon. Dersom det er skadet, få verktøyet reparert før neste bruk.** Mange ulykker forårsakes av dårlig vedlikeholdte verktøy.

f. **Hold skjæreverktøy skarpe og rene.** Godt vedlikeholdte skjæreverktøy med skarpe skjærekanten setter seg mindre sannsynlig fast og er lettere å kontrollere.

g. **Bruk elektroverktøy, tilbehør, bits osv. i henhold til disse instruksjonene. Ta hensyn til arbeidsforholdene og arbeidet som skal utføres.** Bruk av det elektriske verktøyet for oppgaver som er forskjellige fra de som er tiltenkt kan føre til en farlig situasjon.

### 5. Service

a. **Elektroverktøyet skal repareres av kvalifisert personell og bare med originale reservedeler.** Dette vil sikre at verktøets sikkerhet blir ivarettatt.

### Ytterligere sikkerhetsadvarsler for elektroverktøy



**Advarsel!** Ytterligere sikkerhetsadvarsler for hekksakser

- ◆ **Hold alle deler av kroppen borte fra skjærebladet. Når bladene beveger seg, må du ikke fjerne skåret materiale eller holde materiale som skal skjæres. Pass på at bryteren er av når du fjerner materiale som sitter fast.** Et øyeblikks uoppmerksomhet under bruk av verktøyet kan føre til alvorlige personskader.
- ◆ **Bær hekksaksen i håndtaket med skjærebladet stanset. Ved transport eller oppbevaring av hekksaksen skal dekkelet for skjæreenheten alltid sitte på.** Ved riktig behandling av hekksaksen reduseres mulige personskader på grunn av skjærebladene.
- ◆ **Hold elektroverktøyet bare i de isolerte grepsflatene, fordi bladet kan komme i kontakt med skjulte ledninger eller sin egen ledning.** Hvis skjæreblad kommer i kontakt med en strømførende ledning, kan frittliggende metalldele på verktøyet bli strømførende, og brukeren kan få elektrisk støt.
- ◆ **Hold ledningen unna skjærområdet.** Under bruk kan ledningen være gjemt i busker og kan kuttes av bladet ved et uhell.
- ◆ **Bruksområdet er beskrevet i denne bruksanvisningen.** Bruk av tilbehør eller utføring av oppgaver som ikke er anbefalt for verktøyet i denne håndboken, kan medføre fare for personskade og/eller skade på eiendom.
- ◆ **Hvis dette er første gang du bruker en elektrisk hekksaks, bør du få veiledning av en erfaren bruker i tillegg til at du studerer denne håndboken.**

- ◆ Du må aldri berøre bladene når verktøyet er i gang.
- ◆ Du må aldri prøve å stanse bladene med makt.
- ◆ Du må ikke sette fra deg verktøyet før bladene er stanset helt.
- ◆ Kontroller jevnlig om bladene er skadet eller slitt. Ikke bruk verktøyet når bladene er skadet.
- ◆ Pass på at du unngår harde gjenstander (blant annet metalltråd og gjerder) når du bruker verktøyet. Hvis du treffer slike gjenstander ved et uheld, slår du av verktøyet straks og kontrollerer om det er skadet.
- ◆ Hvis verktøyet begynner å vibrere unormalt, slår du det av straks, trekker ut støpselet til nettstrømmen og kontrollerer om det er skadet.
- ◆ Hvis verktøyet stopper eller kjører seg fast, må du slå det av straks. Trekk ut støpselet til nettstrømmen før du prøver å fjerne en hindring.
- ◆ Etter bruk må du plassere bladbeskytteren som følger med, over bladene. Pass på at bladene er beskyttet når du oppbevarer verktøyet.
- ◆ Pass på at all beskyttelse er montert når du bruker verktøyet. Du må aldri forsøke å bruke et verktøy som ikke er komplett, eller hvor det er foretatt endringer som ikke er godkjent.
- ◆ Du må aldri la barn bruke verktøyet.
- ◆ Vær oppmerksom på rusk som faller ned, når du klipper høye hekker.
- ◆ Hold alltid verktøyet med begge hender i håndtakene som er beregnet for dette.

## Andre risikoer

Når verktøyet brukes, kan det oppstå ytterligere risikoer som kanskje ikke er beskrevet i de medfølgende sikkerhetsadvarslene. Disse risikoene kan bli forårsaket av feil bruk, langvarig bruk osv.

Selv om de relevante sikkerhetsbestemmelsene blir fulgt, og sikkerhetstiltakene blir gjennomført, kan visse gjenværende risikoer ikke unngås. Disse inkluderer:

- ◆ Personskader som forårsakes av berøring av en roterende/bevegelig del.
- ◆ Personskader som forårsakes av at en del, et blad eller tilbehør endres.
- ◆ Personskader som skyldes for lang tids bruk av verktøyet. Når du bruker et verktøy i lange perioder, må du sørge for å ta regelmessige pauser.
- ◆ Hørselskader.
- ◆ Helsefare som forårsakes av innånding av støv som dannes når du bruker verktøyet (eksempel: arbeid med tre, spesielt eik, bøk og MDF.)

## Vibrasjon

Vibrasjonsemisjonsverdien som er angitt under tekniske data og samsvarserklæring, er blitt målt i henhold til en standard testmetode som er angitt i EN 60745, og kan brukes til å

sammenligne et verktøy med et annet. Den oppgitte vibrasjonsemisjonsverdien kan også brukes til en foreløpig vurdering av eksponering.

**Advarsel!** Vibrasjonsemisjonsverdien under faktisk bruk av elektroverktøyet kan avvike fra den oppgitte verdien avhengig av måten verktøyet blir brukt på. Vibrasjonsnivået kan øke over nivået som er oppgitt.

Når det vurderes vibrasjonseksponering for å avgjøre hvilke sikkerhetstiltak som kreves ifølge 2002/44/EF, for å beskytte personer som bruker elektroverktøy regelmessig til arbeidsformål, skal det, når vibrasjonseksponeringen anslås, tas hensyn til de faktiske bruksforholdene og måten verktøyet blir brukt på. Dette inkluderer å ta hensyn til alle deler av brukssyklusen, for eksempel når verktøyet er avslått, når det går på tomgang og når utløseren er trykket inn.

## Etiketter på verktøyet

Følgende symboler vises på verktøyet sammen med datokoden:



**Advarsel!** Brukeren må lese håndboken for å redusere risikoen for personskade.



Benytt vernebriller når du bruker dette produktet.



Benytt hørselsvern når du bruker dette verktøyet.



Ta umiddelbart ledningen ut av støpselet hvis den blir skadet eller kuttet av.



Hold verktøyet unna regn eller høy fuktighet.



Garantert lydeffekt i henhold til direktiv 2000/14/EU.

## Elektrisk sikkerhet



Dette verktøyet er dobbeltisolert. Jording er derfor ikke nødvendig. Kontroller alltid at strømforsyningen samsvarer med spenningen på merkeskiltet.

- ◆ Hvis strømledningen blir skadet, må den byttes av produsenten eller et autorisert BLACK+DECKER-service-senter for å unngå fare.
- ◆ Når du bruker verktøyet utendørs, må du kun bruke skjøteledninger som er godkjent til utendørs bruk. En BLACK+DECKER-skjøteledning med passende egenskaper og lengde opptil 30 meter kan benyttes uten tap av effekt. Strømsikkerheten kan forbedres ytterligere ved bruk av jordfeilbryter på 30 mA med høy følsomhet (RCD).

## Funksjoner

Dette verktøyet har noen av eller alle følgende egenskaper.

1. Blad
2. Beskyttelse
3. Ekstrahåndtak
4. Låsebryter
5. Avtrekker-bryter
6. Bryterhåndtak
7. Kabelholder
8. Sagblad
9. Sagbladsko

## Montering

**Advarsel!** Før montering må du sørge for at verktøyet er slått av og koblet fra, og at bladbeskytteren er plassert over bladene.

### Feste vern på trimmeren (figur A og B)

Trimmeren leveres uten at vernet er festet til trimmeren.

Montere vernet:

- ◆ Fjern vernfesteskruen 10 med et phillips skrujern (følger ikke med).
- ◆ Posisjoner vernet på plass som vist på figur A. Forsikre deg om at vernets spor går inn i sporene på enheten.
- ◆ Sett inn to av de seks skruene i åpningene på siden av beskyttelse, skru godt til.

**Advarsel!** Skal kun brukes med håndtaket og beskyttelsen ordentlig festet til trimmeren. Bruk av heksaksen uten riktig montert beskyttelse og håndtak kan føre til alvorlige personskader.

### Feste skjøteledningen til trimmeren (figur C)

Det er integrert et kabelfeste (7) bak på bryterhåndtaket (6).

- ◆ Når slutten av skjøteledningen skal du lage en løkke på skjøteledningen.
- ◆ Mat løkken inn i ledningsfestehuset 11 som vist på figur C.
- ◆ Heng løkken på ledningsfestet 7 slik at den hviler i ledningsfestet.
- ◆ Plugg skjøteledningen i enheten.

### Korrekt håndstilling (figur D)

Hold alltid trimmeren som vist i figurene i denne bruksanvisningen, med en hånd på bryterhåndtaket og en hånd på sikkerhåndtaket (Fig. D). Hold aldri enheten i bladbeskyttelsen.

## Bruk

**Advarsel!** La verktøyet arbeide i sin egen hastighet. Må ikke overbelastes.

## Slå på og av

**Merk:** Av hensyn til din sikkerhet er dette verktøyet utstyrt med et dobbelt brytersystem. Systemet hindrer at verktøyet blir startet ved et uhell og gjør det bare mulig å bruke det når du holder verktøyet med begge hender.

### Slå på (figur E)

- ◆ For å slå på verktøyet (ON), trykk inn både bryteren på ekstrahåndtaket (4) bakover og avtrekkeren på hovedhåndtaket (5). For å holde enheten i gang må du fortsatt holde begge bryterne inntrykket. Når du skal slå enheten av, slipper du enten bryteren på ekstrahåndtaket eller avtrekkeren.

**Advarsel!** Ikke prøv å låse en bryter i stilling PÅ.

- ◆ Smør bladene regelmessig.

## Retningslinjer for trimming

### Skjøteledning (figur F)

- ◆ Du skal alltid ha skjøteledningen bak trimmeren og bort fra trimnearbeidet som vist på figur F. Du skal aldri la den hvile over hekken som skal trimmes. Hvis du kutter eller skader ledningen, skal du koble den fra strømmen umiddelbart før du inspiserer eller reparerer ledningen.

### Arbeidsposisjon

- ◆ Pass på at du alltid har sikkert fotfeste og god balanse, og ikke strekk deg for langt.
- ◆ Bruk vernebriller og sklisikre vernesko ved klipping.
- ◆ Hold enheten godt med begge hendene, og slå PÅ enheten. Hold alltid trimmeren som vist i figur D, med en hånd på bryterhåndtaket og en hånd på sikkerhåndtaket. Hold aldri enheten i bladbeskyttelsen.

### Klippe ny vekst (figur G)

- ◆ Det er mest effektivt med en bred, sveipende bevegelse for å mate bladets tenner gjennom kvistene. Best resultat får du med en liten ned-vinkel på bladet i bevegelsesretningen.

**Advarsel!** Ikke bruk trimmeren til å kutte kvister som er større enn 16 mm. Du skal kun bruke trimmeren til å kutte normalt buskas som finnes rundt hus og bygninger.

### Jevne hekker (figur H)

- ◆ For å svært jevne hekker kan du strekke en tråd langs hele hekken som styring.

### Trimme hekker på siden (figur I)

- ◆ Begynn på bunnen og sveip oppover.

## Sagblad (figur J)

- ◆ For grener som er for tykke for klipping med bladet (1), bruk sagbladet (8). Plasser sagbladet så nært enden av grenen som mulig. Sett sagbladskoen (9) mot grenen. Slå på heksaksen som beskrevet over, la verktøyet jobbe i sitt eget tempo til grenen er sagt helt av.

Klippebladene er laget av høykvalitets herdet stål, ved normal bruk vil de ikke kreve sliping. Men dersom du ved et uhell treffer et gjerde, steiner, glass eller andre harde objekter, kan du få et hakk i bladet. Det er ikke nødvendig å fjerne dette hakket dersom det ikke hindrer bevegelse av bladet. Dersom hakket hindrer bevegelse av bladet, ta ut batteriet og bruk en fin fil eller et bryne for å slipe ned hakket. Dersom du mister ned trimmeren, inspiser den nøye for å se etter skader. Dersom bladet er bøyd, kapslingen sprukket eller du ser noen andre salder som kan påvirke trimmerens funksjon, kontakt ditt lokale BLACK+DECKER servicesenter før du tar den i bruk igjen.

Kunstgjødsel og andre hagekjemikalier inneholder stoffer som fører til at metaller ruste fortere. Ikke lagre enheten på eller i nærheten av kunstgjødsel eller kjemikalier.

## Tilbehør

Verktøyets ytelse avhenger av hva slags tilbehør som brukes. Tilbehør fra BLACK+DECKER er produsert etter høye kvalitetsstandarder og er konstruert for å bedre verktøyets ytelse. Hvis du bruker dette tilbehøret, får du mest mulig ut av verktøyet ditt.

## Vedlikehold

BLACK+DECKER-apparatet/-verktøyet med ledning/batteri er laget for å brukes over lang tid med et minimum av vedlikehold. For at den skal fungere tilfredsstillende over tid, er det viktig å sørge for riktig stell av verktøyet og regelmessig renhold.

Du får smørelje hos din BLACK+DECKER-forhandler (katalognummer A6102-XJ).

**Advarsel!** Før du utfører vedlikehold på elektriskdrevet/batteridrevet elektroverktøy:

- ◆ Slå av apparatet/verktøyet og trekk ut støpselet.
- ◆ Eller slå av apparatet/verktøyet og fjern batteriet fra dette hvis apparatet/verktøyet har separat batteripakke.
- ◆ Eller la batteriet gå helt tomt hvis det er innebygd, og slå deretter av.
- ◆ Trekk ut laderen fra stikkkontakten før du rengjør den. Laderen krever ikke annet vedlikehold enn regelmessig rengjøring.
- ◆ Rengjør ventilasjonsåpningene i apparatet/verktøyet/laderen jevnlig med en myk børste eller tørr klut.
- ◆ Rengjør motorhuset regelmessig med en fuktig klut. Ikke bruk slipende eller løsemiddelbaserte rengjøringsmidler.

- ◆ Rengjør bladene omhyggelig etter bruk. Etter rengjøring påføres en film av lett maskinolje for å hindre at bladene ruste.

## Miljøvern



Separat avfallshåndtering. Produkter og batterier merket med dette symbolet skal ikke kastes i vanlig husholdningsavfall.

Produkter og batterier inneholder materialer som kan gjenbrukes eller gjenvinnes for å redusere behovet for nye råmaterialer.

Vennligst lever elektrisk utstyr og batterier til gjenbruk i henhold til lokale regler. Mer informasjon finner du på [www.2helpU.com](http://www.2helpU.com)

## Feilsøking

Problem	Mulig årsak	Mulig løsning
Går langsomt, støvende eller varme blad.	Tørre, rustne blad.	Smør bladene.
	Blad eller bladstøtte bøyd.	Rett ut bladet eller bladstøtten.
	Bøyde eller skadde tenner.	Rett ut tennene.
Enheten starter ikke.	Løse bladboltene.	Stram til bladboltene.
	Låsen ikke helt i lås.	Kontroller at låsen er trykket helt frem før du bruker hovedavtrekkeren.
	Strømkabelen er ikke satt inn.	Sett inn strømkabelen i en fungerende stikkontakt.
Sikringen er gått.	Sikringen er gått.	Skift krettsikring. (hvis produktet gjentatte ganger gjør at krettsikringen ryker, må du slutte å bruke det umiddelbart og få det reparert hos et BLACK & DECKER-servicesenter eller et autorisert verksted)
	Automatsikring er utløst.	Slå på igjen sikring. (hvis produktet gjentatte ganger gjør at krettsikringen ryker, må du slutte å bruke det umiddelbart og få det reparert hos et BLACK & DECKER-servicesenter eller et autorisert verksted)
	Strømkabel eller bryter er skadet.	Få byttet ledningen eller bryteren ved et BLACK & DECKER-servicesenter eller et autorisert servicesenter

## Tekniske data

		BEHTS301 Type 1	BEHTS401 Type 1
Spenning	V <sub>AC</sub>	230	230
Inngangseffekt	W	500	500
Bladslag (ubelastet)	min <sup>-1</sup>	1850	1835
Bladlengde	cm	50	55
Bladgap	mm	22	22
Bremsetid for bladet	s	<1	<1
Sagblad maksutt	mm	35	35
Vekt	kg	2,47	2,54

		BEHTS451 Type 1	BEHTS501 Type 1
Spenning	V <sub>AC</sub>	230	230
Inngangseffekt	W	550	600
Bladslag (ubelastet)	min <sup>-1</sup>	1870	1840
Bladlengde	cm	60	60
Bladgap	mm	25	25
Bremsetid for bladet	s	<1	<1
Sagblad maksutt	mm	35	35
Vekt	kg	2,65	2,65

## Lydtryknivå i henhold til EN 60745:

Lydtrykk på brukerens posisjon (L<sub>pa</sub>) 89 dB(A), usikkerhet (K) 3,5 dB(A)Lydeffekt (L<sub>wa</sub>) 98 dB(A), usikkerhet (K) 2,0 dB(A)

## Totale vibrasjonsverdier (vektorsum fra tre retninger) bestemt i samsvar med EN 60745:

Vibrasjonsemissionsverdi (a<sub>n,d</sub>) < 4,1 m/s<sup>2</sup>, usikkerhet (K) 2,1 m/s<sup>2</sup>

Hvis du ønsker mer informasjon, kan du kontakte Black & Decker på adressen under eller se baksiden av bruksanvisningen.

Undertegnede er ansvarlig for utarbeidelsen av den tekniske dokumentasjonen og gir denne erklæringen på vegne av Black & Decker.



A. Smith  
Technical Director

Black & Decker Europe, 210 Bath Road, Slough,  
Berkshire, SL1 3YD  
Storbritannia  
22.01.2019

## Garanti

Black & Decker er trygg på kvaliteten av produktene sine og tilbyr en 24 måneders garanti fra kjøpsdato. Denne garantierklæringen kommer i tillegg til dine lovbestemte rettigheter og er ikke i konflikt med disse. Garantien er gyldig innen områdene tilhørende medlemslandene i den Europeiske Union (EU) og det Europeiske Frihandelsområdet (EFTA).

For å ta garantien i bruk må kravet være i samsvar med kjøpsbetingelsene fra Black & Decker og du må vise kjøpskvittering til forhandleren eller til et autorisert serviceverksted. Betingelsene for Black & Deckers 2 års garanti og adressen til din nærmeste autoriserte serviceverksted kan du finne på internett under [www.2helpU.com](http://www.2helpU.com), eller ved å kontakte ditt lokale Black & Decker kontor, adressen er angitt i denne bruksanvisningen.

Besøk våre nettsider på [www.blackanddecker.no](http://www.blackanddecker.no) for å registrere ditt nye Black & Decker-produkt og for å få informasjon om nye produkter og spesialtilbud.

**EU-samsvarserklæring**  
MASKINDIREKTIVET  
DIREKTIV FOR UTENDØRSSTØY



BEHTS301, BEHTS401, BEHTS451, BEHTS501 – Hekksaks

Black & Decker erklærer at disse produktene, som er beskrevet under "Tekniske data", er i samsvar med: EN 60745-1:2009 +A11:2010, EN 60745-2-15:2009 +A1:2010

2000/14/EU, trimmer, vedlegg V  
Målt lydeffekt (L<sub>wa</sub>) 98 dB(A)  
Usikkerhet (K) 2,0 dB(A)  
Garantert lydeffekt (L<sub>wa</sub>) 100 dB(A)

Disse produktene er også i samsvar med direktivet  
2006/42/EC, 2014/30/EU og 2011/65/EU.



## Tilsigtet brug

Dine BLACK+DECKER™ BEHTS301, BEHTS401, BEHTS451, BEHTS501 hækkeklippere er designet til klipning af hække, buske og brombærbuske. Dette værktøj er kun beregnet til privat brug.

## Sikkerhedsinstruktioner

### Generelle sikkerhedsadvarsler vedrørende elværktøj



**Advarsel!** Læs alle sikkerhedsadvarsler og alle instruktioner. Hvis efterfølgende advarsler og instruktioner ikke følges, er der risiko for elektrisk stød, brand og alvorlige kvæstelser.

### Gem alle advarsler og instruktioner til fremtidig reference.

Begrebet "elværktøj", der benyttes i nedenstående advarsler, henviser til netdrevet elværktøj (med netledning) eller batteridrevet værktøj (uden netledning).

#### 1. Sikkerhed i arbejdsområdet

- Hold arbejdsområdet rent og ordentligt oplyst.** Rodede eller mørke områder giver anledning til ulykker.
- Brug ikke elværktøj i eksplosive omgivelser, f.eks. hvor der er brændbare væsker, gasser eller støv.** Elværktøj danner gnister, der kan antænde støv eller dampe.
- Hold børn og andre personer i nærheden på afstand, når der arbejdes med elværktøj.** Distractioner kan medføre, at du mister kontrollen.

#### 2. Elektricitet og sikkerhed

- Elværktøjets stik skal passe til kontakten. Stikket må aldrig modificeres på nogen måde. Undlad at bruge adapterstik sammen med (jordforbundet) elektrisk værktøj.** Umodificerede stik og dertil passende stikkontakter reducerer risikoen for elektrisk stød.
- Undgå kropskontakt med jordforbundne overflader som f.eks. rør, radiatorer, komfurer og køleskabe.** Der er øget risiko for elektrisk stød, hvis din krop er jordforbundet.
- Udsæt ikke elværktøj for regn, og brug det ikke, hvor omgivelserne er våde.** Hvis der trænger vand ind i et elektrisk værktøj, øges risikoen for elektrisk stød.
- Pas på, at ledningen ikke beskadiges. Brug aldrig ledningen til at bære, trække værktøjet eller trække det ud af stikkontakten. Hold ledningen borte fra varme, olie, skarpe kanter og bevægelige dele.** Beskadigede eller sammenfiltrede ledninger øger risikoen for elektrisk stød.
- Elværktøj benyttes i det fri, skal der benyttes en forlængerledning, som er godkendt til udendørs brug.** Brug af en ledning, der er egnet til udendørs brug, reducerer risikoen for elektrisk stød.

- Brug en strømkilde med fejlstrømsrelæ, hvis det er nødvendigt at anvende elværktøj på fugtige steder.** Ved at benytte en fejlstrømsafbryder reduceres risikoen for elektrisk stød.

#### 3. Personersikkerhed

- Vær opmærksom, hold øje med, hvad du laver og brug elværktøjet fornuftigt. Betjen ikke værktøjet, hvis du er træt, påvirket af narkotika, alkohol eller medicin.** Et øjeblikvis uopmærksomhed under anvendelse af et elektrisk værktøj kan forårsage alvorlige kvæstelser.
  - Brug personligt beskyttelsesudstyr. Bær altid beskyttelsesbriller.** Det er muligt at reducere risikoen for kvæstelser ved alt efter omstændighederne at anvende det passende sikkerhedsudstyr såsom støvmaske, skridsikre sikkerhedssko, sikkerhedshjelm eller høreværn.
  - Træf forholdsregler, så utilsigtet start ikke er mulig. Kontrollér, at afbryderkontakten står på slukket, inden værktøjet tilsluttes strømkilden og/eller batteriet, samles op eller bæres.** Når elektrisk værktøj bæres med fingeren på kontakten eller tilsluttes, når kontakten er tændt, giver det anledning til ulykker.
  - Fjern indstillingsnøgle eller skruenøgle, inden elværktøjet startes.** En skruenøgle eller anden nøgle, der bliver siddende på en roterende del af elektrisk værktøj, kan forårsage kvæstelser.
  - Stræk dig ikke for langt. Hold hele tiden en god fodstilling og balance.** Dette udgør at du har bedre kontrol over det elektriske værktøj, når uventede situationer opstår.
  - Brug egnet arbejdstøj. Bær ikke løst tøj eller smykker. Hold dit hår, tøj og handsker væk fra bevægelige dele.** Løstsiddende tøj, smykker eller langt hår kan blive fanget i bevægelige dele.
  - Hvis der kan monteres støvudsugnings- og opsamlingsudstyr, skal dette tilsluttes og benyttes korrekt.** Anvendelse af støvopsamlingsudstyr kan begrænse farer forårsaget af støv.
- Brug og vedligeholdelse af elværktøj**
    - Overbelast ikke elværktøjet. Brug det elværktøj, der er bedst egnet til det arbejde, der skal udføres.** Det korrekte elværktøj klarer opgaven bedre og mere sikkert med den effekt, som det er konstrueret til.
    - Brug ikke elværktøjet, hvis afbryderkontakten er defekt.** Alt elektrisk værktøj, der ikke kan kontrolleres med kontakten, er farligt og skal repareres.
    - Træk stikket ud af stikkontakten og/eller batteriet inden indstilling, tilbehørsudskiftning eller opbevaring af elværktøjet.** Sådanne forebyggende sikkerhedsforanstaltninger mindsker risikoen for, at værktøjet startes utilsigtet.

- d. **Opbevar ubenyttet elværktøj uden for børns rækkevidde. Lad aldrig personer, der ikke er fortrolige med elværktøjet, eller som ikke har læst denne vejledning, benytte maskinen.** El-værktøj er farligt i hænderne på personer, som ikke er instrueret i brugen deraf.
- e. **Elværktøj skal vedligeholdes. Kontroller, om bevægelige dele er skæve og ikke sidder fast, og om delene er brækket eller beskadiget, så elværktøjets funktion påvirkes. Hvis det elektriske værktøj er beskadiget, skal det repareres før brug.** Mange ulykker er forårsaget af dårligt vedligeholdt værktøj.
- f. **Hold skæreværktøj skarpt og rent.** Ordentligt vedligeholdt skæreværktøj med skarpe skærekanten har mindre tilbøjelighed til at binde og er lettere at styre.
- g. **Brug elværktøjet, tilbehøret, værktøjsindsatser osv. i overensstemmelse med disse instruktioner under hensyntagen til arbejdsforholdene og arbejdet, der skal udføres med værktøjet.** Brug af elektrisk værktøj til andre opgaver end dem, det er beregnet til, kan resultere i en farlig situation.
5. **Service**
- a. **Lad kun fagkyndige personer reparere elværktøjet og benyt kun originale reservedele.** Derved sikres det, at værktøjets driftssikkerhed opretholdes.

### Yderligere sikkerhedsadvarsler for elværktøj



**Advarsel!** Yderligere sikkerhedsadvarsler for hækkeklippere

- ◆ **Hold alle kropsdele borte fra skæreklingen. Fjern ikke afklippet materiale, og hold ikke i det materiale, der skal klippes af, mens skæreklingen bevæger sig. Kontroller, at der er slukket på afbryderen, når du fjerner fastkørt materiale.** Få sekunders uopmærksomhed ved brug af elværktøjet kan føre til alvorlige personskader.
- ◆ **Bær hækkeklipperen i hånden, når skæreklingen er stoppet. Monter altid skæreklingens afdækning ved transport eller opbevaring af hækkeklipperen.** Korrekt håndtering af hækkeklipperen reducerer risikoen for personskade forårsaget af skærebladen.
- ◆ **Hold kun i elværktøjets isolerede gribeblader, da skærebladet kan komme i kontakt med skjulte ledninger eller værktøjets ledning.** Hvis skæreblade kommer i kontakt med en strømførende ledning, bliver elværktøjets blottede dele strømførende, så brugeren får stød.
- ◆ **Hold kablet væk fra klippeområdet.** Under brug af hækkeklipperen kan kablet være skjult i buske og kan klippes over af skærebladet ved et uheld.

- ◆ Den tilsigtede anvendelse er beskrevet i denne betjeningsvejledning. Brugen af ekstraudstyr eller tilbehør eller udførelse af opgaver med værktøjet ud over de i brugervejledningen anbefalede kan medføre risiko for personskade og/eller materiel skade.
- ◆ Hvis du ikke har brugt en hækkeklipper før, skal du udover at læse denne vejledning så vidt muligt søge praktisk vejledning hos en erfaren bruger.
- ◆ Rør aldrig skæreklingen, mens værktøjet kører.
- ◆ Forsøg aldrig at tvinge skæreklingen til at stoppe.
- ◆ Sæt ikke værktøjet fra dig, før skæreklingen står helt stille.
- ◆ Kontroller regelmæssigt skæreklingen for beskadigelse og slid. Brug ikke værktøjet, hvis skæreklingen er beskadiget.
- ◆ Pas på, at du ikke rammer hårde genstande (f.eks. metaltråde, stakitter) under klipningen. Hvis du ved et uheld rammer en sådan genstand, skal du omgående slukke værktøjet og kontrollere det for beskadigelse.
- ◆ Pas på, at du ikke rammer hårde genstande (f.eks. metaltråde, stakitter) under klipningen.
- ◆ Sluk omgående værktøjet, hvis det går i stå. Tag ledningen ud af stikkontakten, før du forsøger at fjerne forhindringer.
- ◆ Sæt den medfølgende kappe på skæreklingen efter brug. Værktøjet må ikke opbevares med utildækket skæreklinge.
- ◆ Kontroller altid, at alle afskærmninger er monteret, når du bruger værktøjet. Forsøg aldrig at bruge et mangelfuldt værktøj eller et værktøj, hvor der er foretaget uautoriserede ændringer.
- ◆ Lad aldrig børn bruge værktøjet.
- ◆ Vær opmærksom på nedfaldende afklip ved klipning af høje hække.
- ◆ Hold altid værktøjet med begge hænder i håndtagene.

### Resterende risici

Der kan opstå yderligere, tilbageværende risici under brugen af apparatet, som muligvis ikke behandles i de vedlagte sikkerhedsadvarsler. Disse risici kan opstå pga. forkert anvendelse, langvarig brug etc.

Selv ved overholdelse af relevante sikkerhedsforskrifter og anvendelse af sikkerhedsudstyr kan visse resterende risici ikke undgås. Disse omfatter:

- ◆ Tilskadekomst forårsaget af berøring af roterende/bevægelige dele.
- ◆ Tilskadekomst forårsaget af udskitning af dele, klinger eller tilbehør.
- ◆ Tilskadekomst forårsaget af langvarig brug af et værktøj. Husk at holde pause jævnligt ved brug af et apparat i længere tid.
- ◆ Hørenedsættelse.
- ◆ Sundhedsrisici forårsaget af indånding af støv, der genereres ved brug af værktøjet (eksempel: Arbejde med træ, især, eg, bøg og MDF.)

## Vibration

De angivne værdier for udsendelse af vibration opført under de tekniske data og overensstemmelseserklæringen er målt i henhold til standardtestmetoden anført i EN 60745 og kan bruges til at sammenligne ét værktøj med et andet. Den angivne vibrationsmissionsværdi kan også bruges i forbindelse med en foreløbig vurdering af eksponeringen.

**Advarsel!** Værdien for vibrationsmission ved faktisk brug af elværktøjet kan afvige fra den angivne værdi afhængigt af måden, værktøjet anvendes på. Vibrationsniveauet kan overstige det angivne niveau.

I vurderingen af eksponeringen for vibration med henblik på fastsættelse af sikkerhedsforanstaltninger som krævet i 2002/44/EF til beskyttelse af personer, der jævnligt anvender elværktøj i deres arbejde, skal der tages hensyn til de faktiske betingelser under brugen, og måden værktøjet bruges på, herunder alle arbejdsryttersens afsnit, f.eks. perioder, hvor værktøjet er slukket, og hvor det kører i tomgang, tillige med startperioderne.

## Mærkater på værktøjet

Værktøjet er forsynet med følgende piktogrammer sammen med en datokode:



**Advarsel!** Brugeren skal læse brugervejledningen for at reducere risikoen for kvæstelser.



Bær beskyttelses- eller sikkerhedsbriller, når du bruger dette værktøj.



Bær høreværn, når du bruger dette værktøj.



Træk straks ledningen ud af stikkontakten, hvis ledningen beskadiges, eller der saves i den.



Udsæt ikke værktøjet for regn eller høj luftfugtighed.



Direktiv 2000/14/EF garanteret lydeffekt.

## Elektricitet og sikkerhed



Denne maskine er dobbelt isoleret. Derfor er jordledning ikke nødvendig. Kontrollér altid, at strømforsyningen svarer til spændingen på mærkepladen.

- ◆ Hvis netledningen beskadiges, skal den udskiftes af producenten eller et autoriseret BLACK+DECKER-værksted, så farlige situationer undgås.

- ◆ Hvis værktøjet bruges i det fri, skal der benyttes forlængerledninger, som er beregnet til udendørs brug. Der kan bruges en egnet BLACK+DECKER-klassificeret forlængerledning på op til 30 m uden effekttab.
- ◆ Den elektriske sikkerhed kan forbedres yderligere ved brug af en højfølsom 30 mA fejlstrømsafbryder.

## Funktioner

Apparatet har nogle eller alle af de følgende funktioner.

1. Klinge
2. Skærm
3. Hjælpehåndtag
4. Låseknop
5. Udløserkontakt
6. Kontakthåndtag
7. Ledningsholder
8. Savklinge
9. Savklingesko

## Samling

**Advarsel!** Kontroller, at værktøjet er slukket, stikket taget ud og at skærebordskappen er monteret uden skærebordene før samling.

### Fastgørelse af skærm på trimmer (fig. A, B)

Trimmeren leveres, uden at skærmen er fastgjort på trimmeren. Sådan fastsættes skærmen:

- ◆ Fjern skruen til fastgørelse af skærmen 10 med en krydskærvskrueetrækker (medfølger ikke).
- ◆ Sæt skærmen på plads, som vist på Fig. A. Sørg for, at skærmen passer ind i rillerne på enheden.
- ◆ Isæt skruen til fastgørelse af skærmen 10 i åbningen på siden af skærmen, og stram den godt fast, som vist på Fig. B.

**Advarsel!** Brug kun hækkeklipperen, når håndtaget og skærmen er korrekt monteret. Brug af hækkeklipperen uden den korrekte skærm eller et korrekte håndtag kan medføre alvorlig personskade.

### Fastgørelse af forlængerledning til trimmer (fig. C)

Bag på kontakthåndtaget (6) sidder en ledningsholder (7).

- ◆ Fold forlængerledningen til en løkke nær enden af forlængerledningen.
- ◆ Før løkken ind i ledningsholderhuset 11, som vist på Fig. C.
- ◆ Hægt løkken på ledningsholderen 7, så den hviler i ledningsholderen.
- ◆ Slut forlængerledningen til enheden.

### Korrekt håndposition (Fig. D)

Hold altid fast i hækkeklipperen som vist i illustrationerne i denne vejledning, med den ene hånd på kontakthåndtaget og

den anden på det ekstra håndtag (Fig. D). Hold aldrig fast i enhedens klingskærm.

## Anvendelse

**Advarsel!** Lad værktøjet arbejde i dets eget tempo. Det må ikke overbelastes.

## Sådan tændes og slukkes værktøjet

**Bemærk:** Af sikkerhedsmæssige hensyn er værktøjet udstyret med et dobbelt afbrydersystem. Dette system forhindrer utilsigtet start af værktøjet, og det fungerer kun, hvis det holdes med begge hænder.

### Start (fig. E)

- ◆ For at stille værktøjet på "ON" skal du trykke både hjælpehåndtagskontakten (4) tilbage og trykke på hovedhåndtagsudløserkontakten (5). Du holder enheden kørende ved at fortsætte med at trykke på begge kontakter. Slip enten hjælpehåndtagskontakten eller udløserkontakten for at slukke for enheden.

**Advarsel!** Forsøg aldrig at fastlåse en kontakt i tændt position.

- ◆ Smør regelmæssigt klingerne med olie.

## Retningslinjer for klipning

### Forlængerledning (fig. F)

- ◆ Hold altid forlængerledningen bag trimmeren og væk fra trimningen, som vist på figur F. Før den aldrig over en hæk, der trimmes. Hvis du klipper eller beskadiger ledningen, skal du øjeblikkeligt trække den ud fra stikkontakten, inden du efterser eller reparerer ledningen.

### Driftsposition

- ◆ Oprethold korrekt fodstilling og balance og undlad at række for langt.
- ◆ Bær sikkerhedsbriller, skridsikkert fodtøj og gummihandsker under klipning.
- ◆ Hold godt fast i værktøjet med begge hænder og tænd for værktøjet. Hold altid fast i hækkeklipperen som vist på Fig. D, med den ene hånd på kontakthåndtaget og den anden på det ekstra håndtag. Hold aldrig fast i værktøjets klingskærm.

### Klipning af nye vækster (fig. G)

- ◆ En bred, fejende bevægelse, indføring af klingetænderne gennem kviste er mest effektiv. En svag nedadgående hældning af klingene, i bevægelsesretningen giver den bedste klipning.

**Advarsel!** Brug ikke trimmeren til at klippe stængsler på over 16 mm. Brug kun trimmeren til at klippe normalt buskads fundet omkring huse og bygninger.

### Lige hække (fig.H)

- ◆ Du kan opnå en flot vandret hæk ved at spænde et stykke snor langs hækkenes længde som en rettesnor.

### Sideklipning af hække (fig. I)

- ◆ Begynd ved bunden og stryg opad.

### Savklinge (fig.J)

- ◆ Til grene der er for store at skære for klingene (1), skal du bruge savklingen (8). Placer savklingen så tæt på det nederste af grenen som muligt. Placer savklingskoen (9) mod grenen. Tænd hækkeklipperen som beskrevet ovenfor, hvilket gør det muligt for værktøjet at arbejde i dets eget tempo, indtil grenen er skåret helt over.

Skæreklingerne er lavet i høj kvalitets, hærdet stål, og ved normal brug vil de ikke kræve slibning. Men hvis du ved et uheld rammer et trådhegn (Fig. L), sten, glas eller andre hårde genstande, kan der komme et hak i klingene. Der er ingen grund til at fjerne dette hak, så længe det ikke interfererer med klingebevægelsen. Hvis det interfererer, tag ledningen ud og brug en fintandet fil eller slibesten til at fjerne hakket. Hvis du taber hækkeklipperen, undersøg den omhyggeligt for beskadigelse. Hvis klingene er bøjet, huset revnet eller håndtag er knækkede, eller hvis du ser nogen anden tilstand, der kan påvirke klipperens drift, kontakt dit lokale BLACK+DECKER servicecenter for reparationer, før du tager den i brug igen. Gødning og andre havekemikalier indeholder stoffer, som øger rustdannelse på metal. Opbevar ikke enheden på eller ved siden af gødning og kemikalier.

### Tilbehør

Værktøjets ydeevne afhænger af det anvendte tilbehør. Tilbehør fra BLACK+DECKER er fremstillet efter høje kvalitetsstandarder og er designet til at forbedre dit værktøjets ydeevne. Når du bruger dette tilbehør, vil værktøjet yde optimalt.

### Vedligeholdelse

Dit BLACK+DECKER-apparat/værktøj med eller uden ledning er beregnet til brug gennem lang tid med et minimum af vedligeholdelse. Vedvarende tilfredsstillende funktion er afhængig af, om apparatet plejes korrekt og rengøres regelmæssigt.

Smørelolie fås hos din BLACK+DECKER forhandler (kat. nr. A6102-XJ).

**Advarsel!** Før udførelse af nogen form for vedligeholdelse på elværktøj med/uden ledning:

- ◆ Sluk og tag apparatets/værktøjets stik ud af stikkontakten.
- ◆ Eller sluk og fjern batteriet fra apparatet/værktøjet, hvis det har en separat batteripakke.
- ◆ Eller aflad batteriet helt, hvis det er indbygget, og sluk derefter.

- Træk laderen ud af stikkontakten, før den rengøres. Op-laderen kræver ingen vedligeholdelse, men skal rengøres jævnligt.
- Rengør jævnligt apparatets/værktøjets/laderens ventila-tionshuller med en blød børste eller en tør klud.
- Rengør med jævne mellemrum motorhuset med en fugtig klud. Der må ikke bruges skuremidler eller opløsnings-midler.
- Rengør skærebladene omhyggeligt efter brug. Påfør en tynd film maskinolie efter rengøring, så skærebladene ikke ruste.

## Miljøbeskyttelse



Særskilt bortskaftelse. Produkter og batterier mærket med dette symbol må ikke bortskaftes sammen med normalt husholdningsaffald.

Produkter og batterier indeholder materialer, der kan genvindes eller genbruges og således reducere efterspørgslen efter råvarer.

Genbrug venligst elektriske produkter og batterier i henhold til lokale bestemmelser. Yderligere oplysninger findes på [www.2helpU.com](http://www.2helpU.com)

## Fejfinding

Problem	Mulig årsag	Mulig løsning
Kører langsomt, støjende eller varme klinger.	Tørre, korroderede klinger.  Klinger eller klingeholder bøjet.  Bøjede eller beskadigede tænder.  Løse klingebolte.	Smør klinger.  Ret klingeholderen ud.  Ret tænderne ud.  Stram klingebolte.
Enheden vil ikke starte.	Startspærre virker ikke korrekt.  Kablet er ikke tilsluttet.  Kredsløbsikring er sprunget.  Kredslobsafbryder udløses.	Kontroller, at startspærreknappen er helt fremad, før hovedudløseren bevæges.  Slut ledningen til en fungerende stikkontakt.  Udskift kredsløbsikringen. (Hvis sikringen springer gentagne gange ved brug af produktet, skal man straks ophøre med at bruge det og få det repareret på et BLACK+DECKER-servicecenter eller autoriseret servicecenter.)  Nulstil kredsløbsafbryder. (Hvis sikringen springer gentagne gange ved brug af produktet, skal man straks ophøre med at bruge det og få det repareret på et BLACK+DECKER-servicecenter eller autoriseret servicecenter.)  Få ledningen eller kontakten udskiftet på et BLACK+DECKER-servicecenter eller autoriseret servicecenter.
	Kabel eller kontakt er beskadiget.	Få ledningen eller kontakten udskiftet på et BLACK+DECKER-servicecenter eller autoriseret servicecenter.

## Tekniske data

		BEHTS301 Type 1	BEHTS401 Type 1
Spænding	V <sub>AC</sub>	230	230
Effektindgang	W	500	500
Klingeslag (uden belastning)	min <sup>-1</sup>	1850	1835
Knivlængde	cm	50	55
Skæreblandsafstand	mm	22	22
Klingebræmsetid	s	<1	<1
Maks. snit af savklinge	mm	35	35
Vægt	kg	2.47	2.54

		BEHTS451 Type 1	BEHTS501 Type 1
Spænding	V <sub>AC</sub>	230	230
Effektindgang	W	550	600
Klingeslag (uden belastning)	min <sup>-1</sup>	1870	1840
Knivlængde	cm	60	60
Skæreblandsafstand	mm	25	25
Klingebræmsetid	s	<1	<1
Maks. snit af savklinge	mm	35	35
Vægt	kg	2.65	2.65

### Lydtrykniveau i henhold til EN 60745:

Lydtrykniveau ved operatorposition (L<sub>pa</sub>) 89 dB(A), usikkerhed (K) 3,5 dB(A)

Lydeffektniveau (L<sub>wa</sub>) 98 dB(A), usikkerhed (K) 2,0 dB(A)

### Samlede værdier for vibration (triaksial vektorsum) i henhold til EN 60745:

Vibrations emissionsværdi (a<sub>h,d</sub>) 4,1 m/s<sup>2</sup>, usikkerhed (K) 2,1 m/s<sup>2</sup>

## EU-overensstemmelseserklæring

MASKINDIREKTIV  
DIREKTIV OM STØJEMISSION FRA MASKINER TIL  
UDENDØRS BRUG



BEHTS301, BEHTS401, BEHTS451,  
BEHTS501 – Hækkeklipper

Black & Decker erklærer, at produkterne beskrevet under  
"Tekniske data" er i overensstemmelse med:  
EN 60745-1:2009 +A11:2010, EN 60745-2-15:2009 +A1:2010

2000/14/EF, Hækkeklipper, bilag V  
Målt lydeffektniveau (L<sub>wa</sub>) 98 dB(A)  
Usikkerhed (K) = 2,0 dB(A)  
Garanteret lydeffekt (L<sub>wa</sub>) 100 dB(A)

Disse produkter er endvidere i overensstemmelse med direktiv  
2006/42/EC, 2014/30/EU og 2011/65/EU.

Kontakt Black & Decker på nedenstående adresse eller se vejledningens bagside for at få yderligere oplysninger.

Undertegnede er ansvarlig for udarbejdelsen af de tekniske data og fremsætter denne erklæring på vegne af Black & Decker.



A. Smith  
Technical Director  
Black & Decker Europe, 210 Bath Road, Slough,  
Berkshire, SL1 3YD  
Storbritannien  
22/01/2019

## Käyttötarkoitus

BLACK+DECKER™ BEHTS301, BEHTS401, BEHTS451, BEHTS501 -pensasleikkurit on tarkoitettu pensaiden leikkaamiseen. Nämä työkalut on tarkoitettu vain yksityiskäyttöön.

## Turvallisuusohjeet

### Sähkötyökalujen yleiset turvavaroitukset



**Varoitus!** Lue kaikki turvallisuusvaroitukset ja ohjeet. Alla olevien varoitusten ja ohjeiden noudattamisen laiminlyönti saattaa johtaa sähköiskuun, tulipaloon ja/tai vakavaan loukkaantumiseen.

**Säästä kaikki varoitukset ja ohjeet tulevaa käyttöä varten.** Varoituksissa käytetty käsite "sähkötyökalu" tarkoittaa verkkokäyttöisiä sähkötyökaluja (joissa on verkkojohto) ja akkukäyttöisiä sähkötyökaluja (joissa ei ole verkkojohtoa).

### 1. Työalueen turvallisuus

- Pidä työalue puhtaana ja hyvin valaistuna.**  
Onnettomuuksia sattuu herkemmin epäsiistissä tai huonosti valaistussa ympäristössä.
- Älä käytä sähkötyökalua räjähdysalttiissa ympäristössä, jossa on syttyvää nestettä, kaasua tai pölyä.** Sähkötyökalujen aiheuttamat kipinät voivat sytyttää pölyn tai kaasut.
- Pidä lapset ja sivulliset loitolla sähkötyökalua käyttäessäsi.** Keskeytymiskyvyn herpaantuminen voi aiheuttaa hallinnan menettämisen.

### 2. Sähköturvallisuus

- Sähkötyökalun pistokkeen on sovittava pistorasiaan. Älä koskaan tee pistokkeeseen mitään muutoksia. Älä yhdistä maadoitettua sähkötyökalua jatkojohtoon.** Sähköiskun vaara vähenee, jos pistokkeisiin ei tehdä muutoksia ja ne yhdistetään vain niille tarkoitettuihin pistorasioihin.
- Vältä koskettamasta maadoitettuja pintoja, kuten putkia, lämpöpattereita, liesiä tai jääkaappeja.** Voit saada sähköiskun, jos kehosi on maadoitettu.
- Älä altista sähkötyökalua sateelle tai kosteudelle.** Sähkötyökaluun menevä vesi lisää sähköiskun vaaraa.
- Älä käsittele virtajohtoa kovakouraisesti. Älä kannata työkaluja sähköjohdosta tai vedä pistoketta pistorasiasta sähköjohdon avulla.** Pidä sähköjohto kaukana kuumuudesta, öljystä, terävistä reunoista tai liikkuvista osista. Vaurioituneet tai sokeutuneet johdot lisäävät sähköiskun vaaraa.
- Käyttäessäsi sähkötyökalua ulkona käytä ainoastaan ulkokäyttöön soveltuvaa jatkojohtoa.** Ulkokäyttöön tarkoitettun sähköjohdon käyttäminen vähentää sähköiskun vaaraa.

## Garanti

Black & Decker er overbevist om den gode kvalitet af sine produkter og giver forbrugerne en garanti på 24 måneder fra købsdatoen. Garantien er et tillæg til forbrugerens lovmæssige rettigheder og påvirker ikke disse. Garantien er gyldig inden for medlemsstaterne af Den Europæiske Union og Det Europæiske Frihandelsområde.

Når du gør krav på garantien, skal kravet være i overensstemmelse med Black & Decker vilkår og betingelser, og du skal indsende dokumentation for købet til sælgeren eller til en autoriseret reparatør. Vilkår og betingelser for Black & Decker 2 års garanti og placeringen af dit nærmeste autoriserede serviceværksted kan fås på internettet på [www.2helpU.com](http://www.2helpU.com), eller ved at kontakte dit lokale Black & Decker kontor på den adresse, der er angivet i denne vejledning.

Besøg venligst vores websted [www.blackanddecker.co.uk](http://www.blackanddecker.co.uk) for at registrere dit nye Black & Decker produkt og modtage opdateringer om nye produkter og specielle tilbud.

- f. Jos sähkötyökalua on välttämättä käytettävä kosteassa paikassa, käytä vikavirtasuojalla (RCD) suojattua virtalähdettä. Tämä vähentää sähköiskun vaaraa.
3. Henkilöturvallisuus
- a. Ole valpas, keskity työhön ja noudata tervettä järkeä sähkötyökalun käytössä. Älä käytä tätä työkalua ollessasi väsynyt tai alkoholin, huumeiden tai lääkkeiden vaikutuksen alaisena. Keskittymisen herpaantuminen hetkeksikin sähkötyökalua käytettäessä voi aiheuttaa vakavan henkilövahingon.
- b. Käytä henkilökohtaisia suojavarusteita. Käytä aina suojalaseja. Hengityssuojaimen, liukumattomien turvajalkineiden, kypärän ja kuulonsuojaimen käyttäminen vähentää henkilövahinkojen vaaraa.
- c. Vältä tahatonta käynnistämistä. Varmista, että kytkin on OFF-asennossa, ennen kuin liität laitteen virtalähteeseen ja/tai akkuun, nostat laitteen tai kannat sitä. Sähkötyökalun kantaminen sormi virtakytkimellä lisää onnettomuusvaaraa.
- d. Irrota mahdollinen säätö- tai kiintoavain ennen kuin käynnistät sähkötyökalun. Sähkötyökalun pyöriivään osaan kiinni jäänyt avain voi johtaa loukkaantumiseen.
- e. Älä kurkota. Huolehdi siitä, että sinulla on koko ajan tukeva jalansija ja hyvä tasapaino. Näin voit hallita sähkötyökalua paremmin odottamattomissa tilanteissa.
- f. Käytä tarkoitukseen soveltuvia vaatteita. Älä käytä löysiä vaatteita tai koruja. Pidä hiukset, vaatteet ja kädet loitolla liikkuvista osista. Löysät vaatteet, korut tai pitkät hiukset voivat tarttua liikkuviin osiin.
- g. Jos työkalun voi liittää polynimuriin, tarkista, että liitos on tehty asianmukaisesti ja että laitteita käytetään oikealla tavalla. Pölyn ottaminen talteen voi vähentää pölyn aiheuttamia vaaroja.
4. Sähkötyökalujen käyttö ja hoito
- a. Älä yliuormita sähkötyökalua. Valitse käyttötarkoituksen kannalta oikea sähkötyökalu. Sähkötyökalu toimii paremmin ja turvallisemmin, kun sitä käytetään sille suunniteltuun käyttötarkoitukseen.
- b. Älä käytä sähkötyökalua, jota ei voida käynnistää ja pysäyttää virtakytkimestä. Jos sähkötyökalua ei voi hallita kytkimen avulla, se on vaarallinen ja se on korjattava.
- c. Irrota pistotulppa pistorasiasta ja/tai akku laitteesta ennen kuin suoritat säätöjä, vaihdat tarvikkeita tai siirät sähkötyökalun varastoitavaksi. Näin voit vähentää vahingossa käynnistymisen aiheuttaman henkilövahingon vaaraa.
- d. Säilytä sähkötyökalut poissa lasten ulottuvilta, kun niitä ei käytetä. Älä anna sähkötyökalua sellaisen henkilön käyttöön, joka ei tunne sitä tai joka ei ole

- tutustunut tähän käyttöohjeeseen. Sähkötyökalut ovat vaarallisia kouluttamattomien käyttäjien käsissä.
- e. Hoida sähkötyökalusi huolella. Tarkista, että liikkuvat osat toimivat moitteettomasti ja etteivät ne ole puristuksessa. Tarkista myös, ettei työkalussa ei ole murtuneita tai vahingoittuneita osia, jotka saattaisivat vaikuttaa haitallisesti sen toimintaan. Jos havaitset vaurioita, korjauta sähkötyökalu ennen niiden käyttämistä. Huonosti kunnossapidetyt sähkötyökalut aiheuttavat onnettomuuksia.
- f. Pidä leikkausterät terävinä ja puhtaina. Kunnossa pidettyjen leikkaavia teräviä reunoja sisältävien työkalut todennäköisyys jumiutua vähenee, ja niitä on helpompi hallita.
- g. Käytä sähkötyökaluja, tarvikkeita, vaihtoteriä yms. näiden ohjeiden mukaisesti. Ota tällöin huomioon työolosuhteet ja suoritettava toimenpide. Jos sähkötyökalua käytetään näiden ohjeiden vastaisesti, voi syntyä vaaratilanne.

## 5. Huolto

- a. Korjauta sähkötyökalu koulutetulla ja ammattitaitoisella henkilöllä ja hyväksy korjauksiin vain alkuperäisiä varaosia. Tämä varmistaa sähkötyökalun turvallisuuden.

## Sähkötyökalujen lisäturvavaroitukset



**Varoitus!** Pensasleikkureiden lisäturvavaroitukset

- ◆ Älä pidä kehoa lähellä leikkurin terää. Älä poista leikattua materiaalia tai pidä leikattavasta materiaalista kiinni terien liikkuaessa. Varmista, että virta on katkaistu, kun poistat kiinni juuttunutta materiaalia. Hetken tarkkaamattomuus työkalua käytettäessä saattaa johtaa vakavaan loukkaantumiseen.
- ◆ Kanna pensasleikkuria kahvasta, kun leikkurin terä on pysäytetty. Aseta leikkurin suojus paikalleen pensasleikkurin kuljetuksen ja varastoinnin ajaksi. Pensasleikkurin oikea käsittely pienentää leikkurin terien aiheuttamien vammojen riskiä.
- ◆ Pitele sähkötyökalua vain sen eristävästä tartuntapinnosta, sillä terä voi osua piilossa oleviin sähköjohtoihin tai laitteen virtajohtoon. Terien kosketus jännitteisen johtimen kanssa voi tehdä myös työkalun paljaista metalliosista jännitteisiä ja aiheuttaa sähköiskun käyttäjälle.
- ◆ Pidä kaapeli poissa leikkausalueelta. Käytön aikana kaapeli voi olla piilossa pensasikossa ja voit leikata sitä vahingossa.
- ◆ Tarkoitettu käyttö on kuvattu tässä käyttöohjeessa. Käytä työkalua ainoastaan sellaiseen työhön, johon se on tarkoitettu, ja käytä vain käyttöohjeessa ja tuotekuvastossa suositeltuja tarvikkeita ja lisälaitteita. Ohjeesta

poikkeava käyttö voi aiheuttaa henkilö- ja/tai omaisuusvahinkoja.

- ◆ Jos et ole ennen käyttänyt pensasleikkuria, pyydä käytännön ohjeita kokeneelta käyttäjältä tämän käyttöoppaan ohjeiden lisäksi.
- ◆ Älä koskaan koske teriin työkalun ollessa käynnissä.
- ◆ Älä jarruta terän pysähtymisliikettä.
- ◆ Älä laske työkalua alas, ennen kuin terät ovat pysähtyneet kokonaan.
- ◆ Tarkista säännöllisesti, etteivät terät ole vahingoittuneet tai kuluneet. Älä käytä työkalua, jos sen terät ovat vioittuneet.
- ◆ Vältä kovia esineitä (esimerkiksi metallilankaa, kaiteita) leikkauksen aikana. Jos osut tällaiseen esineeseen vahingossa, katkaise työkalun virta heti ja tarkista vauriot.
- ◆ Jos työkalu alkaa täräistä epätavallisesti, katkaise työkalun virta heti, irrota sen virtajohto ja tarkista vauriot.
- ◆ Jos työkalu pysähtyy, katkaise sen virta heti. Irrota työkalu virtalähteestä, ennen kuin yrität poistaa esteet.
- ◆ Aseta teränsuojus terien päälle käytön jälkeen. Säilytä työkalua siten, ettei sen terä ole paljaana.
- ◆ Varmista, että kaikki suojukset ovat paikallaan työkalua käytettäessä. Älä koskaan yritä käyttää puutteellista työkalua tai työkalua, johon on tehty luvattomia muutoksia.
- ◆ Älä koskaan anna lasten käyttää työkalua.
- ◆ Varo putoavia oksia, kun leikkaat pensasaidan yläreunoja.
- ◆ Pidä työkalusta aina kiinni molemmin käsin työkaluin kahvoista.

## Muut riskit

Myös muut kuin turvavaroituksissa mainitut riskit ovat mahdollisia työkalua käytettäessä. Nämä riskit voivat liittyä muun muassa virheelliseen tai pitkäaikaiseen käyttöön.

Tiettyjä jäännösriskkejä ei voi välttää, vaikka noudatat kaikkia turvamääräyksiä ja käytät turvalaitteita. Näitä ovat:

- ◆ Pyörivien tai liikkuvien osien koskettamisen aiheuttamat vahingot.
- ◆ Osia, teriä tai lisävarusteita vaihdettaessa aiheutuneet vahingot.
- ◆ Työkalun pitkäaikaisen käytön aiheuttamat vahingot.
- ◆ Varmista, että pidät säännöllisesti taukoja työkalun pitkäaikaisen käytön aikana.
- ◆ Kuulon heikkeneminen.
- ◆ Työkalua käytettäessä (esimerkiksi puuta, erityisesti tammea, pyökkiä ja MDF-levyjä käsitellessä) syntyneen pölyn sisäänhengityksen aiheuttamat terveysriskit.

## Tärinä

Teknisissä tiedoissa ja vaatimustenmukaisuusilmoituksessa ilmoitetut tärinäpäästöarvot on mitattu standardin EN 60745 testausmenetelmän mukaisesti, ja niiden avulla voidaan vertailla työkaluja keskenään. Ilmoitettua tärinäpäästöarvoa voi käyttää myös altistumisen alustavaan arviointiin.

**Varoitus!** Sähkötyökalun käytön aikana mitattu todellinen tärinäpäästöarvo voi poiketa ilmoitetusta tärinäpäästöarvosta työkalun käyttötavan mukaan. Tärinätasoa voi olla ilmoitettua tasoa suurempi.

Kun tärinälle altistumista arvioidaan sen määrittämiseksi, mitä direktiivin 2002/44/EY mukaisia turvatoimenpiteitä vaaditaan sähkötyökaluja säännöllisesti käyttävien henkilöiden suojelemiseksi, tärinälle altistumisen arvioinnissa on otettava huomioon todelliset käyttöolosuhteet ja työkalun käyttötavat. Todellisen käytön lisäksi on kiinnitettävä huomiota myös siihen, milloin työkalu on sammutettuna tai se käy tyhjäkäynnillä.

## Työkalun tarrat

Työkaluun on merkitty päivämääräkoodi sekä seuraavat varoitusmerkinnät:



**Varoitus!** Käyttäjän on luettava käyttöohje vahinkojen välttämiseksi.



Käytä suojalaseja, kun käytät laitetta.



Käytä kuulosuojaimia, kun käytät työkalua.



Jos virtajohto vaurioituu tai katkeaa, irrota se välittömästi sähköverkosta.



Älä käytä työkalua sateessa tai erittäin kosteissa olosuhteissa.



Direktiivin 2000/14/EY mukainen taattu ääniteho.

## Sähköturvallisuus



Tämä laite on kaksoiseristetty, joten erillistä maadoitusta ei tarvita. Tarkista aina, että verkkovirran jännite vastaa tyyppikilpeen merkittyä jännitettä.

- ◆ Jos virtajohto vahingoittuu, sen vaihtaminen on turvallisuussyistä jätettävä valmistajan tai valtuutetun BLACK+DECKER-huollon tehtäväksi.
- ◆ Käytettäessä työkalua ulkona käytä ainoastaan ulkokäyttöön soveltuvaa jatkojohtoa. Voit käyttää oikeanlaista enintään 30 metrin BLACK+DECKER-jatkojohtoa ilman virranmenetystä.
- ◆ Sähköturvallisuutta voi parantaa käyttämällä erittäin herkkää (30 mA) vikavirtasuojaa.



## Yleiskuvaus

Tässä työkalussa on joitakin tai kaikki seuraavista ominaisuuksista.

1. Terä
2. Suojus
3. Apukahva
4. Lukituspainike
5. Liipaisukytkin
6. Kytinkahva
7. Johdon pidike
8. Sahanterä
9. Sahanterän kenkä

## Asennus

**Varoitus!** Ennen kuin kokoat työkalun, varmista, että työkalun virta on katkaistu, sähköpistoke on irrotettu sähköverkosta ja terän suojuus on terien päällä.

## Suojuksen kiinnittäminen trimmeriin (kuvat A, B)

Suojus toimitetaan trimmeristä irrallaan. Suojuksen kiinnittäminen:

- ◆ Irrota suojuksen kiinnitysruuvi 10 ristipäämeisselillä (ei kuulu pakkaukseen).
- ◆ Aseta suojuus paikoilleen kuvan A mukaisesti. Varmista, että suojuus kiinnittyy laitteen uriin.
- ◆ Aseta suojuksen kiinnitysruuvi 10 suojuksen sivulla olevaan aukkoon ja kiristä hyvin kuvan B mukaisesti.

**Varoitus!** Käytä pensasleikkuria ainoastaan silloin, kun kahva ja suojuus on asennettu oikein paikoilleen. Jos pensasleikkuria käytetään ilman asianmukaista suojusta tai pakkaukseen kuuluvaa kahvaa, seurauksena voi olla vakava henkilövahinko.

## Jatkojohdon kiinnittäminen trimmeriin (kuva C)

Johtopidike (7) sijaitsee kytinkahvan (6) takaosassa.

- ◆ Taita jatkojohto silmukaksi sen pään lähetytyllä.
- ◆ Aseta silmukka johtopidikkeen koteloon 11 kuvan C mukaisesti.
- ◆ Kiinnitä silmukka johtopidikkeeseen 7, jotta se pysyy johtopidikkeessä.
- ◆ Kiinnitä jatkojohto laitteeseen.

## Oikeaoppinen käden asentoasento

Pidä leikkuria aina tämän ohjekirjan kuvien mukaisesti pitäen yhtä kättä kytinkahvassa ja toista kättä lisäkavassa (kuva D). Älä koskaan pidä kiinni laitteen terän suojuksesta.

## Käyttö

**Varoitus!** Anna työkalun käydä omaan tahtiinsa. Älä ylikuormita sitä.

## Käynnistäminen ja sammuttaminen

**Huomautus:** Käyttöturvallisuuden lisäämiseksi tämä työkalu on varustettu käynnistysvarmistimella. Tällöin työkalua ei voi

käynnistää vahingossa ja sitä voi käyttää vain, kun työkalua pidetään molemmin käsin.

## Käynnistäminen (kuva E)

- ◆ Kytke työkalu päälle painamalla lisäkahvan kytintä (4) taaksepäin ja painamalla pääkahvan liipaisinkytkintä (5). Pidä laite käynnissä pitämällä molempia kytkimiä alhaalla. Sammuta laite vapauttamalla joko lisäkahvan kytkin tai liipaisinkytkin.

**Varoitus!** Älä koskaan yritä lukita kytintä päälle.

- ◆ Voitele terät säännöllisesti.

## Trimmausohjeet

### Jatkojohto (kuva F)

- ◆ Pidä jatkojohto trimmerin takana ja pois leikkausalueelta kuvan F mukaisesti. Älä koskaan aseta sitä leikkattavan pensaan päälle. Jos johto leikkautuu tai vaurioituu, irrota se välittömästi virtalähteestä ennen johdon tarkistamista tai korjaamista.

### Asento käytön aikana

- ◆ Seiso tukevasti ja tasapainossa äläkä kurkota.
- ◆ Käytä suojalaseja, luisumattomia jalkineita ja kumikäsi-neitä leikkaamisen aikana.
- ◆ Pitele työkalua tukevasti molemmilla käsillä ja käynnistä se. Pidä trimmeriä aina kuvan D mukaisesti pitäen yhtä kättä kytinkahvassa ja toista kättä lisäkavassa. Älä koskaan pidä kiinni työkalun terän suojuksesta.

### Uuden kasvan leikkaaminen (kuva G)

- ◆ Tehokkain tapa leikata on laaja pyyhkäisyliike, jolloin terän hampaat syötetään oksien läpi. Paras leikkaustulos saavutetaan kallistamalla terää kevyesti alaspäin liikkeen suuntaan.

**Varoitus!** Trimmerillä ei saa leikata yli 16 mm:n oksia. Leikkaa trimmerillä ainoastaan normaalia pensaikkaa rakennusten lähetytyillä.

### Tasaiset pensaat (kuva H)

- ◆ Erittäin tasaisten pensaiden leikkaamiseksi yhtä lankakappaleita voidaan venyttää pensaan pituussuunnassa ohjaimena.

### Pensaiden sivujen leikkaus (kuva I)

- ◆ Aloita alaosasta ja etene ylöspäin.

### Sahanterä (kuva J)

- ◆ Jos oksat ovat liian suuria terälle (1), käytä sahanterää (8). Aseta sahanterä mahdollisimman lähelle oksan alaosaa. Aseta sahanterän kenkä (9) oksaa vasten. Käännä pensasleikkuria yllä kuvatulla tavalla niin, että työkalu toimii omaan tahtiin oksaan leikkaamiseksi kokonaan.

Leikkuuterät on valmistettu korkealuokkaisesta karkaistusta teräksestä. Niiden teroitus ei ole tarpeen normaalissa käytössä. Jos kuitenkin osut terällä vahingossa aitaan (kuva L), kivimateriaaleihin, lasiin tai muihin koviin kohteisiin, terään voi tulla särö. Särön korjaaminen ei ole tarpeen, ellei se vaikuta terän liikkeeseen. Jos se vaikuttaa liikkeeseen, irrota johto ja poista särö hienohampaisella viilalla tai teroituskivellä. Jos leikkuri putoaa, tarkista se huolellisesti vaurioiden varalta. Jos terä on taipunut, kotelo haljennut tai kahvat vaurioituneet tai jos jokin muu ongelma vaikuttaa leikkurin toimintaan, ota yhteyttä paikalliseen BLACK+DECKER-huoltopalveluun laitteen korjaamiseksi ennen sen uudelleen käyttöä. Lannoitteet ja muut puutarhakemikaalit sisältävät aineita, jotka nopeuttavat metallien korroosiota. Laitetta ei saa säilyttää lannoitteiden tai kemikaalien päällä tai niiden lähellä.

## Lisävarusteet

Työkalun suorituskyky riippuu käytetystä lisävarusteesta. Korkealaatuiset BLACK+DECKER-lisävarusteet on suunniteltu parantamaan työkalun suorituskykyä. Käyttämällä näitä lisävarusteita saat työkalustasi parhaan hyödyn.

## Huolto

Verkkojohdolla varustettu tai verkkojohdoton BLACK+DECKER-laite on suunniteltu toimimaan mahdollisimman kauan mahdollisimman vähällä huollolla. Oikea käsittely ja säännöllinen puhdistus varmistavat laitteen ongelmattoman toiminnan.

Voiteluöljyä voi ostaa BLACK+DECKER-tuotteiden jälleenmyyjiltä (tuoteno A6102-XJ).

**Varoitus!** Ennen verkkojohdolla varustetun tai verkkojohdoton sähkötyökalun huoltoa toimi seuraavasti:

- ◆ Sammuta laite/työkalu ja irrota se verkkovirrasta.
- ◆ Jos laitteessa/työkalussa on erillinen akku, sammuta laite/työkalu ja irrota sen akku.
- ◆ Jos akku on kiinteä, käytä akku täysin loppuun ja sammuta laite sitten.
- ◆ Irrota laturi pistorasiasta ennen laturin puhdistamista. Laturi ei tarvitse säännöllisen puhdistamisen lisäksi mitään muuta huoltoa.
- ◆ Puhdista laitteen/työkalun/laturin ilma-aukot säännöllisesti pehmeällä harjalla tai kuivalla liinalla.
- ◆ Puhdista moottorin kotelo säännöllisesti kostealla rätillä. Älä käytä hankaavia tai liuotinpohjaisia puhdistusaineita.
- ◆ Puhdista terät huolellisesti käytön jälkeen. Voitele terät ohuesti öljyllä puhdistuksen jälkeen. Näin ne eivät ruostu.

Tuotteissa ja akuissa on materiaaleja, jotka voidaan ottaa talteen tai kierrättää uudelleen käyttöä varten. Kierrätä sähkölaitteet ja akut paikallisten määräyksien mukaan. Lisätietoa on saatavilla osoitteessa [www.2helpU.com](http://www.2helpU.com)

## Vianmääritys

Ongelma	Mahdollinen syy	Mahdollinen ratkaisu
Hidas käynti, huomattavaa melua tai kuumat terät.	Kuivat, ruostuneet terät. Taipuneet terät tai terän tuki. Taipuneet tai vaurioituneet hampaat. Löysää terän pultit.	Voitele terät. Suorista terä tai terän tuki. Suorista hampaat. Kirstä terän pultit.
Laite ei käynnisty.	Lukituspaineke ei toimi hyvin. Virtajohtoa ei ole kiinnitetty pistorasiaan. Virtapiiriin sulake on palanut. Piirikatkaisin on lauennut. Johto tai kytkin on vaurioitunut.	Tarkista, että lukituspainike on painettu kokonaan eteen ennen liipaisimen käyttöä. Liitä johto toimivaan pistorasiaan. Vaihda sulake. (Jos tuote toistuvasti aiheuttaa sulakkeen palamisen, lopeta tuotteen käyttö välittömästi ja toimita se valtuutetun BLACK+DECKER-huolto-liikkeen huollettavaksi). Nollaa piirikatkaisin. (Jos tuote toistuvasti aiheuttaa kytkimen laukeamisen, lopeta tuotteen käyttö välittömästi ja toimita se valtuutetun BLACK+DECKER-huolto-liikkeen huollettavaksi). Anna BLACK+DECKER-huollon tai valtuutetun huoltopalvelun vaihtaa johto ja kytkin.

## Tekniset tiedot

		BEHTS301 Tyyppi 1	BEHTS401 Tyyppi 1
Jännite	V <sub>AC</sub>	230	230
Ottoteho	W	500	500
Teräiskut (ilman kuormaa)	min <sup>-1</sup>	1850	1835
Terän pituus	cm	50	55
Terien väli	mm	22	22
Terän jarrutusaika	s	<1	<1
Sahanterän maksimileikkaus	mm	35	35
Paino	kg	2,47	2,54

## Ympäristönsuojelu



Toimita tämä laite erilliskeräykseen. Tällä symbolilla merkityjä tuotteita ja akkuja ei saa hävittää tavallisen kotitalousjätteen mukana.

		BEHTS451 Tyyppi 1	BEHTS501 Tyyppi 1
Jännite	V <sub>AC</sub>	230	230
Ottoteho	W	550	600
Teräiskut (ilman kuormaa)	min <sup>-1</sup>	1870	1840
Terän pituus	cm	60	60
Terien väli	mm	25	25
Terän jarrutusaika	s	<1	<1
Sahanterän maksimileikkaus	mm	35	35
Paino	kg	2,65	2,65

**Äänenpainetaso, määritetty EN 60745-standardin mukaan:**Äänenpaine käyttäjän paikalla (L<sub>pa</sub>) 89 dB(A), epävarmuus (K) 3,5 dB(A)Äänitehotaso (L<sub>wa</sub>) 98 dB(A), epävarmuus (K) 2,0 dB(A)**Tärinän kokonaisarvot (vektorisumma) standardin EN 60745 mukaisesti:**Tärinäästöarvo (a<sub>h,d</sub>) 4,1 m/s<sup>2</sup>, epävarmuus (K) 2,1 m/s<sup>2</sup>**EY-vaatimustenmukaisuusvakuutus**KONEDIREKTIIVI  
ULKOILMAMELUDIREKTIIVIBEHTS301, BEHTS401, BEHTS451,  
BEHTS501 – Pensasleikkuri

Black & Decker ilmoittaa, että tuotteet, jotka on kuvattu  
kohdassa Tekniset tiedot, täyttävät seuraavien direktiivien  
vaatimukset:

EN 60745-1:2009 +A11:2010, EN 60745-2-15:2009 +A1:2010

2000/14/EY, Pensasleikkuri, liite V  
Mitattu äänitehotaso (L<sub>wa</sub>) 98 dB(A)  
Epävarmuus (K) 2,0 dB(A)  
Taattu ääniteho (L<sub>wa</sub>) 100 dB(A)

Nämä tuotteet täyttävät myös direktiivin  
2006/42/EY, 2014/30/EY vaatimukset ja 2011/65/EY.

Lisätietoja saa ottamalla yhteyden Black & Deckeriin  
seuraavassa osoitteessa. Tiedot ovat myös  
käyttöohjeen takakannessa.

Allekirjoittanut vastaa teknisten tietojen kokoamisesta tehden  
tämän ilmoituksen Black & Deckerin puolesta.

A. Smith

Technical Director

Black &amp; Decker Europe, 210 Bath Road, Slough,

Berkshire, SL1 3YD

Iso-Britannia

22.01.2019

**Takuu**

Black & Decker on vakuuttanut tuotteidensa korkeasta  
laadusta ja tarjoaa kuluttajille 24 kuukauden takuun, joka  
astuu voimaan ostopäivänä. Takuu on lisäksi kuluttajan laillisiin  
oikeuksiin eikä vaikuta niihin. Tämä takuu on voimassa  
kaikissa EU- ja ETA-maissa.

Edellytyksenä takuun saamiselle on, että vaade täyttää  
Black & Deckerin ehdot ja että ostaja toimittaa ostotositteen  
jälleenmyyjälle tai valtuutetulle huoltoliikkeelle. Black  
& Deckerin kahden vuoden takuun ehdot ja lähimmän  
valtuutetun korjauspalvelun yhteyshenkilöt ovat saatavilla  
osoitteessa [www.2helpU.com](http://www.2helpU.com) tai ottamalla yhteyttä  
paikalliseen Black & Deckerin toimipisteeseen tässä  
ohjekirjassa ilmoitettuihin osoitteisiin.

Käy verkkosivuillamme osoitteessa [www.blackanddecker.fi](http://www.blackanddecker.fi)  
ja rekisteröi uusi Black & Decker -tuotteesi saadaksesi tietoa  
uusista tuotteista ja erikoistarjouksista.

## Προβλεπόμενη χρήση

Τα θερμοκοπτικά BLACK+DECKER™ BEHTS301, BEHTS401, BEHTS451, BEHTS501 έχουν σχεδιαστεί για κοπή και περιποίηση φυτικών φραχτών, θάμνων και βέτων. Αυτά τα εργαλεία προορίζονται μόνο για καταναλωτική χρήση.

## Οδηγίες ασφαλείας

### Γενικές προειδοποιήσεις ασφαλείας για ηλεκτρικά εργαλεία



**Προειδοποίηση!** Διαβάστε όλες τις προειδοποιήσεις ασφαλείας και όλες τις οδηγίες. Η μη τήρηση των παρακάτω προειδοποιήσεων και οδηγιών μπορεί να προκαλέσει ηλεκτροπληξία, πυρκαγιά και/ή σοβαρές σωματικές βλάβες.

**Φυλάξτε όλες τις προειδοποιήσεις και τις οδηγίες για μελλοντική αναφορά.** Ο χαρακτηρισμός "ηλεκτρικό εργαλείο" που χρησιμοποιείται στις προειδοποιήσεις αναφέρεται σε εργαλεία που συνδέονται στην πρίζα (με καλώδιο) ή εργαλεία που λειτουργούν με μπαταρία (χωρίς καλώδιο).

#### 1. Ασφάλεια χώρου εργασίας

- α. Διατηρείτε το χώρο εργασίας καθαρό και καλά φωτισμένο. Οι ατακτοποιήτοι ή σκοτεινοί χώροι γίνονται αιτίες ατυχημάτων.
- β. **Μη χρησιμοποιείτε ηλεκτρικά εργαλεία σε περιβάλλον όπου υπάρχει κίνδυνος έκρηξης, όπως με παρουσία εύφλεκτων υγρών, αερίων ή σκόνης.** Τα ηλεκτρικά εργαλεία παράγουν σπινθήρες που μπορεί να προκαλέσουν ανάφλεξη της σκόνης ή των αναθυμιάσεων.
- γ. **Όταν χρησιμοποιείτε ηλεκτρικό εργαλείο, κρατάτε μακριά τα παιδιά και άλλα άτομα.** Παράγοντες που αποσπούν την προσοχή μπορεί να σας κάνουν να χάσετε τον έλεγχο.

#### 2. Ασφαλής χρήση ηλεκτρικού ρεύματος

- α. Τα φως των ηλεκτρικών εργαλείων πρέπει να ταιριάζουν στην πρίζα. Σε καμία περίπτωση μην τροποποιήσετε το φως, με κανένα τρόπο. Μη χρησιμοποιείτε φως προσαρμογής με γειωμένα ηλεκτρικά εργαλεία. Τα φως που δεν έχουν υποστεί τροποποιήσεις και οι κατάλληλες πρίζες μειώνουν τον κίνδυνο ηλεκτροπληξίας.
- β. **Αποφεύγετε την επαφή του σώματός σας με γειωμένες επιφάνειες, όπως σωλήνες, καλοριφέρ, κουζίνες και ψυγεία.** Υπάρχει αυξημένος κίνδυνος ηλεκτροπληξίας αν το σώμα σας είναι γειωμένο.
- γ. **Μην εκθέτετε τα ηλεκτρικά εργαλεία σε βροχή ή υγρασία.** Η διείσδυση νερού σε ένα ηλεκτρικό εργαλείο αυξάνει τον κίνδυνο ηλεκτροπληξίας.

- δ. **Μην κακομεταχειρίζεστε το καλώδιο. Ποτέ μη χρησιμοποιείτε το καλώδιο για να μεταφέρετε το ηλεκτρικό εργαλείο, να το τραβήξετε ή να το αποσυνδέσετε από την πρίζα. Κρατάτε το καλώδιο μακριά από θερμότητα, λάδια, αιχμηρά άκρα ή κινούμενα μέρη.** Τα καλώδια που έχουν υποστεί ζημιά ή είναι μπερδεμένα αυξάνουν τον κίνδυνο ηλεκτροπληξίας.
- ε. **Όταν χρησιμοποιείτε ηλεκτρικό εργαλείο σε εξωτερικούς χώρους, να χρησιμοποιείτε πάντοτε καλώδιο επέκτασης κατάλληλο για εργασία σε εξωτερικούς χώρους.** Η χρήση καλωδίου κατάλληλου για εργασία σε εξωτερικούς χώρους μειώνει τον κίνδυνο ηλεκτροπληξίας.
- στ. **Εάν είναι αναπόφευκτη η χρήση ενός ηλεκτρικού εργαλείου σε συνθήκες υγρασίας, χρησιμοποιήστε μια διάταξη προστασίας από ρεύμα διαρροής (RCD).** Η χρήση μιας διάταξης RCD μειώνει τον κίνδυνο ηλεκτροπληξίας.

#### 3. Προσωπική ασφάλεια

- α. **Όταν χρησιμοποιείτε ηλεκτρικό εργαλείο, να είστε σε εγρήγορση, να συγκεντρώνετε στην εργασία που κάνετε και να επιστρατεύετε την κοινή λογική. Μη χρησιμοποιείτε ηλεκτρικό εργαλείο όταν είστε κουρασμένος/η ή υπό την επήρεια ναρκωτικών, οινοπνεύματος ή φαρμακευτικής αγωγής.** Μια στιγμή απροσεξίας κατά τη χρήση ηλεκτρικών εργαλείων μπορεί να προκαλέσει σοβαρό τραυματισμό.
- β. **Να χρησιμοποιείτε ατομικό εξοπλισμό προστασίας. Πάντα φοράτε προστασία ματιών.** Ο εξοπλισμός προστασίας, όπως μάσκα κατά της σκόνης, αντιολισθητικά παπούτσια ασφαλείας, κράνος ή προστασία ακοής, όταν χρησιμοποιείται για τις κατάλληλες συνθήκες, θα μειώσει τους τραυματισμούς και τις σωματικές βλάβες.
- γ. **Αποτρέπετε την ακούσια ενεργοποίηση. Βεβαιωθείτε ότι ο διακόπτης βρίσκεται στη θέση απενεργοποίησης, πριν συνδέσετε το εργαλείο στην πηγή ρεύματος και/ή τοποθετήσετε το πακέτο μπαταρίας, καθώς και πριν πάρετε στα χέρια σας ή μεταφέρετε το εργαλείο.** Η μεταφορά ηλεκτρικών εργαλείων με το δάχτυλο πάνω στο διακόπτη ή η σύνδεση στο ρεύμα ηλεκτρικών εργαλείων με το διακόπτη στη θέση ενεργοποίησης, ενέχει κινδύνους ατυχημάτων.
- δ. **Πριν θέσετε το ηλεκτρικό εργαλείο σε λειτουργία, αφαιρέστε τυχόν εργαλεία ή κλειδιά ρύθμισης.** Εάν αφήσετε ένα εργαλείο ή κλειδί πάνω σε κάποιο περιστρεφόμενο εξάρτημα του ηλεκτρικού εργαλείου, μπορεί να προκληθούν τραυματισμοί.
- ε. **Μην τεντώνετε υπερβολικά. Διατηρείτε πάντα σταθερή στήριξη στα πόδια σας και καλή ισορροπία.** Έτσι μπορείτε να έχετε καλύτερο έλεγχο του ηλεκτρικού εργαλείου σε μη αναμενόμενες καταστάσεις.

- στ. Φοράτε κατάλληλη ενδυμασία εργασίας. Μη φοράτε φαρδιά ρούχα ούτε κοσμήματα. Κρατάτε τα μαλλιά, τα φαρδιά και τα γάντια σας μακριά από κινούμενα μέρη. Τα χαλαρά ρούχα, τα κοσμήματα και τα μακριά μαλλιά μπορούν να πιαστούν σε κινούμενα μέρη.
- ζ. Αν παρέχονται διατάξεις για τη σύνδεση συστημάτων απομάκρυνσης και συλλογής της σκόνης, βεβαιωθείτε ότι αυτές είναι συνδεδεμένες και χρησιμοποιούνται σωστά. Η χρήση διατάξεων συλλογής της σκόνης μπορεί να μειώσει τους κινδύνους που προέρχονται από τη σκόνη.
4. Χρήση και φροντίδα ηλεκτρικών εργαλείων
- α. Μην υπερφορτώνετε το ηλεκτρικό εργαλείο. Χρησιμοποιείτε το σωστό ηλεκτρικό εργαλείο για την εφαρμογή σας. Το σωστό ηλεκτρικό εργαλείο θα εκτελέσει την εργασία καλύτερα και ασφαλέστερα, με την ένταση χρήσης για την οποία σχεδιάστηκε.
- β. Μη χρησιμοποιήσετε το ηλεκτρικό εργαλείο αν ο διακόπτης του δεν μπορεί να το ενεργοποιεί και απενεργοποιεί. Ένα ηλεκτρικό εργαλείο του οποίου η λειτουργία δεν μπορεί να ελεγχθεί με το διακόπτη είναι επικίνδυνο και πρέπει να επισκευαστεί.
- γ. Αποσυνδέστε το φως από την πηγή ρεύματος καίη/ το πακέτο μπαταρίας από το ηλεκτρικό εργαλείο, πριν διεξαγάγετε οποιαδήποτε ρύθμιση, αλλαγή αξεσουάρ ή όταν πρόκειται να αποθηκεύσετε το ηλεκτρικό εργαλείο. Τέτοια προληπτικά μέτρα ασφαλείας μειώνουν το κίνδυνο αθέλητης εκκίνησης του ηλεκτρικού εργαλείου.
- δ. Να φυλάσσετε μακριά από παιδιά τα ηλεκτρικά εργαλεία που δεν χρησιμοποιείτε. Μην αφήνετε να χρησιμοποιήσουν ηλεκτρικό εργαλείο άτομα που δεν είναι εξοικειωμένα με αυτό ή άτομα που δεν έχουν διαβάσει αυτές τις οδηγίες χρήσης. Τα ηλεκτρικά εργαλεία είναι επικίνδυνα στα χέρια μη εκπαιδευμένων χρηστών.
- ε. Να συντηρείτε τα ηλεκτρικά εργαλεία. Ελέγχετε για προβλήματα ευθυγράμμισης ή για μάγκωμα των κινούμενων εξαρτημάτων, θραύση εξαρτημάτων, καθώς και για οποιοδήποτε άλλο πρόβλημα μπορεί να επηρεάσει τη λειτουργία των ηλεκτρικών εργαλείων. Αν το ηλεκτρικό εργαλείο έχει υποστεί ζημιά, φροντίστε να επισκευαστεί πριν το χρησιμοποιήσετε. Η ανεπαρκής συντήρηση των ηλεκτρικών εργαλείων αποτελεί αιτία πολλών ατυχημάτων.
- στ. Διατηρείτε τα κοπτικά εργαλεία κοφτερά και καθαρά. Τα κοπτικά εργαλεία με κοφτερές κοπτικές αιχμές που συντηρούνται σωστά έχουν λιγότερες πιθανότητες να μαγκώσουν και ελέγχονται ευκολότερα.
- ζ. Να χρησιμοποιείτε το ηλεκτρικό εργαλείο, τα αξεσουάρ και τις μύτες του εργαλείου κλπ. σύμφωνα με τις παρούσες οδηγίες, λαμβάνοντας υπόψη σας τις

συνθήκες εργασίας και την εργασία που θέλετε να εκτελέσετε. Η χρήση του ηλεκτρικού εργαλείου για εργασίες διαφορετικές από τις προβλεπόμενες θα μπορούσε να οδηγήσει σε επικίνδυνη κατάσταση.

## 5. Σέρβις

- α. Αναθέτετε το σέρβις του ηλεκτρικού σας εργαλείου σε εξειδικευμένο τεχνικό επισκευών που χρησιμοποιεί μόνο γνήσια ανταλλακτικά. Έτσι θα εξασφαλίσετε τη διατήρηση της ασφάλειας του ηλεκτρικού εργαλείου.

## Πρόσθετες προειδοποιήσεις ασφαλείας για ηλεκτρικά εργαλεία



**Προειδοποίηση!** Πρόσθετες προειδοποιήσεις ασφαλείας για θαμνοκοπτικά

- ◆ Κρατάτε όλα τα μέλη του σώματός σας σε απόσταση από τη λεπίδα κοπής. Μην αφαιρείτε το κομμένο υλικό και μην κρατάτε υλικό για κοπή όταν οι λεπίδες βρίσκονται σε κίνηση. Βεβαιωθείτε ότι ο διακόπτης είναι απενεργοποιημένος (off) κατά την αφαίρεση υλικού που έχει παγιδευτεί. Μια στιγμιαία απροσεξία κατά το χειρισμό του εργαλείου μπορεί να οδηγήσει σε σοβαρούς τραυματισμούς.
- ◆ Μεταφέρετε το θαμνοκοπτικό από τη λαβή, με τη λεπίδα κοπής σταματημένη. Κατά τη μεταφορά ή αποθήκευση του θαμνοκοπτικού, να τοποθετείτε πάντα το κάλυμμα του μηχανισμού κοπής. Ο σωστός χειρισμός του θαμνοκοπτικού περιορίζει το ενδεχόμενο τραυματισμού από τις λεπίδες κοπής.
- ◆ Κρατάτε το ηλεκτρικό εργαλείο από τις μονωμένες επιφάνειες λαβής μόνο, διότι η λεπίδα κοπής μπορεί να έρθει σε επαφή με το δικό του καλώδιο. Οι λεπίδες κοπής που έρχονται σε επαφή με καλώδια υπό τάση μπορεί να καταστήσουν και τα εκτεθειμένα μεταλλικά μέρη του ηλεκτρικού εργαλείου ηλεκτροφόρα και να προκαλέσουν ηλεκτροπληξία στο χειριστή του.
- ◆ Κρατάτε το καλώδιο μακριά από την περιοχή κοπής. Κατά τη διάρκεια της χρήσης, το καλώδιο μπορεί να κρυφτεί στους θάμνους και να κοπεί κατά λάθος από τις λεπίδες.
- ◆ Η προβλεπόμενη χρήση περιγράφεται στο παρόν εγχειρίδιο οδηγιών. Η χρήση οποιοδήποτε αξεσουάρ ή προσαρτήματος ή η εκτέλεση με αυτό το εργαλείο οποιασδήποτε εργασίας διαφορετικής από αυτές που συστήνονται στο παρόν εγχειρίδιο οδηγιών, μπορεί να εγκυμονεί κίνδυνο σωματικών βλαβών καίη/ υλικών ζημιών.
- ◆ Εάν δεν έχετε χρησιμοποιήσει ξανά θαμνοκοπτικό, καλό θα είναι να ζητήσετε πρακτικές οδηγίες από έναν έμπειρο χρήστη πέρα από τη μελέτη του παρόντος εγχειριδίου.

- ◆ Μην αγγίζετε ποτέ τις λεπίδες ενώ το εργαλείο βρίσκεται σε λειτουργία.
- ◆ Μην επιχειρήσετε ποτέ να ακινητοποιήσετε τις λεπίδες εξαναγκαστικά.
- ◆ Μην τοποθετείτε κάτω το εργαλείο πριν να ακινητοποιηθούν εντελώς οι λεπίδες.
- ◆ Ελέγχετε τακτικά τις λεπίδες για ζημιές και φθορές. Μη χρησιμοποιείτε το εργαλείο εάν οι λεπίδες έχουν υποστεί ζημιά.
- ◆ Προσέξτε ώστε να αποφεύγετε σκληρά αντικείμενα (π.χ. μεταλλικά σύρματα, κιγκλιδώματα) κατά τις εργασίες κοπής. Εάν χτυπήσετε κατά λάθος ένα τέτοιο αντικείμενο, απενεργοποιήστε αμέσως το εργαλείο και ελέγξτε το για τυχόν ζημιά.
- ◆ Εάν τυχόν το εργαλείο αρχίσει να δονείται με μη φυσιολογικό τρόπο, απενεργοποιήστε το αμέσως, αποσυνδέστε το από την πρίζα και στη συνέχεια ελέγξτε το για τυχόν ζημιά.
- ◆ Αν το εργαλείο σταματήσει να λειτουργεί λόγω μεγάλης αντίστασης, αμέσως απενεργοποιήστε το. Αποσυνδέστε το από την παροχή ρεύματος δικτύου πριν επιχειρήσετε να αφαιρέσετε οποιοδήποτε εμπόδιο.
- ◆ Μετά τη χρήση, τοποθετήστε στις λεπίδες την παρεχόμενη θήκη λεπίδων. Αποθηκεύστε το εργαλείο, αφού βεβαιωθείτε ότι η λεπίδα δεν είναι εκτεθειμένη.
- ◆ Πάντοτε να βεβαιώνετε ότι όλα τα προστατευτικά είναι τοποθετημένα στο εργαλείο όταν το χρησιμοποιείτε. Μην επιχειρήσετε να χρησιμοποιήσετε το εργαλείο εάν λείπουν εξαρτήματα από αυτό ή εάν έχει υποβληθεί σε μη εξουσιοδοτημένες τροποποιήσεις.
- ◆ Μην αφήσετε ποτέ παιδιά να χρησιμοποιήσουν το εργαλείο.
- ◆ Να προσέχετε το ενδεχόμενο πτώσης υπολειμμάτων κοπής κατά την κοπή στις ψηλότερες πλευρές ενός φυτικού φράχτη.
- ◆ Πάντα να κρατάτε το εργαλείο και με τα δύο χέρια και από τις παρεχόμενες λαβές.

### Υπολειπόμενοι κίνδυνοι.

Κατά τη χρήση του εργαλείου μπορεί να δημιουργηθούν πρόσθετοι υπολειπόμενοι κίνδυνοι, οι οποίοι ενδέχεται να μη συμπεριλαμβάνονται στις προειδοποιήσεις ασφαλείας που εσωκλείονται. Αυτοί οι κίνδυνοι μπορεί να προκληθούν από κακή χρήση, παρατεταμένη χρήση κλπ. Παρά την εφαρμογή των σχετικών κανονισμών ασφαλείας και τη χρήση διατάξεων ασφαλείας, ορισμένοι υπολειπόμενοι κίνδυνοι δεν είναι δυνατό να αποφευχθούν. Αυτοί περιλαμβάνουν:

- ◆ Τραυματισμοί από επαφή με περιστρεφόμενα/κινούμενα μέρη.
- ◆ Τραυματισμοί από αλλαγή οποιοδήποτε εξαρτημάτων, λεπίδων ή αξεσουάρ.

- ◆ Σωματικές βλάβες από παρατεταμένη χρήση ενός εργαλείου. Όταν χρησιμοποιείτε οποιοδήποτε εργαλείο για παρατεταμένα χρονικά διαστήματα, μην παραιτείστε με κανένα τρόπο να κάνετε τακτικά διαλείμματα.
- ◆ Βλάβη της ακοής.
- ◆ Κίνδυνοι στην υγεία που προκαλούνται από την εισπνοή σκόνης, όταν χρησιμοποιείτε το εργαλείο (παραδείγματα: όταν επεξεργάζεστε ξύλο, ειδικά δρυ, οξιά και MDF.)

### Κραδασμοί

Η δηλωμένη τιμή εκπομπής κραδασμών που αναφέρεται στα τεχνικά χαρακτηριστικά και τη δήλωση συμμόρφωσης έχει μετρηθεί σύμφωνα με τυποποιημένη μέθοδο δοκιμής που παρέχεται από το πρότυπο EN 60745 και μπορεί να χρησιμοποιηθεί για τη σύγκριση ενός εργαλείου με ένα άλλο. Η δηλωμένη τιμή εκπομπής κραδασμών μπορεί επίσης να χρησιμοποιηθεί σε έναν προκαταρκτικό προσδιορισμό της έκθεσης σε κραδασμούς.

**Προειδοποίηση!** Στην πράξη, η τιμή εκπομπής κραδασμών κατά την χρήση του ηλεκτρικού εργαλείου μπορεί να διαφέρει από την τιμή που δηλώθηκε, ανάλογα με τον τρόπο που χρησιμοποιείται το εργαλείο. Το επίπεδο κραδασμών μπορεί να αυξηθεί πάνω από το επίπεδο που έχει δηλωθεί.

Κατά τον προσδιορισμό της έκθεσης σε κραδασμούς για τον καθορισμό των απαιτούμενων μέτρων ασφαλείας σύμφωνα με την οδηγία 2002/44/EK για την προστασία προσώπων που χρησιμοποιούν συχνά ηλεκτρικά εργαλεία στην εργασία τους, μια προσεγγιστική εκτίμηση της έκθεσης σε κραδασμούς πρέπει να λαμβάνει υπόψη τις πραγματικές συνθήκες χρήσης και τον τρόπο χρήσης του εργαλείου, συμπεριλαμβανομένων και όλων των επιμέρους τμημάτων του κύκλου εργασίας, όπως τα χρονικά διαστήματα που το εργαλείο ήταν εκτός λειτουργίας και τα διαστήματα λειτουργίας χωρίς φορτίο, επιπλέον του χρόνου πίεσης της σκανδάλης.

### Ετικέτες πάνω στο εργαλείο

Το εργαλείο φέρει τα παρακάτω εικονογράμματα μαζί με τον κωδικό ημερομηνίας:



**Προειδοποίηση!** Για να μειωθεί ο κίνδυνος τραυματισμού, ο χρήστης πρέπει να διαβάσει το εγχειρίδιο οδηγιών.



Φοράτε γυαλιά ασφαλείας ή ειδικά προστατευτικά γυαλιά όταν χρησιμοποιείτε αυτό το εργαλείο.



Φοράτε ωτασπίδες όταν χρησιμοποιείτε αυτό το εργαλείο.



Αποσυνδέστε αμέσως το καλώδιο από την πρίζα εάν φθαρεί ή κοπεί.



Μην εκθέτετε το εργαλείο στη βροχή ή σε υψηλή υγρασία.



Εγγυημένη ηχητική ισχύς σύμφωνα με την Οδηγία 2000/14/ΕΚ.

### Ασφαλής χρήση ηλεκτρικού ρεύματος



Αυτό το εργαλείο φέρει διπλή μόνωση. Επομένως, δεν απαιτείται καλώδιο γείωσης. Ελέγχετε πάντα ότι η παροχή ρεύματος αντιστοιχεί στην τάση που αναφέρεται στην πινακίδα στοιχείων.

- ♦ Αν το καλώδιο ρεύματος έχει υποστεί φθορά, η αντικατάστασή του πρέπει να γίνει από τον κατασκευαστή ή από ένα εξουσιοδοτημένο κέντρο επισκευών της BLACK+DECKER, ώστε να μην αποτελέσει κίνδυνο.
- ♦ Όταν χρησιμοποιείτε το ηλεκτρικό εργαλείο σε εξωτερικούς χώρους, να χρησιμοποιείτε μόνο καλώδια προέκτασης που προορίζονται για χρήση σε εξωτερικούς χώρους. Μπορείτε να χρησιμοποιήσετε ένα καλώδιο επέκτασης BLACK+DECKER με τα κατάλληλα ονομαστικά χαρακτηριστικά, μήκους έως 30 m, χωρίς απώλειες ισχύος.
- ♦ Η ασφάλεια έναντι ηλεκτροπληξίας μπορεί να βελτιωθεί ακόμα περισσότερο με τη χρήση μιας διάταξης προστασίας από ρεύμα διαρροής (RCD) με υψηλή ευαισθησία 30 mA.

### Χαρακτηριστικά

Αυτό το εργαλείο διαθέτει μερικά από ή όλα τα παρακάτω χαρακτηριστικά.

1. Λεπίδα
2. Προστατευτικό
3. Βοηθητική λαβή
4. Κουμπί ασφάλισης σε απενεργοποιημένη κατάσταση
5. Διακόπτη σκανδάλης
6. Λαβή διακόπτη
7. Εξάρτημα συγκράτησης καλωδίου
8. Λεπίδα πριονιού
9. Πέλμα λεπίδας πριονιού

### Συναρμολόγηση

**Προειδοποίηση!** Πριν από τη συναρμολόγηση, βεβαιωθείτε ότι εργαλείο είναι απενεργοποιημένο και αποσυνδεδεμένο από την πρίζα και ότι η θήκη λεπίδων είναι τοποθετημένη στις λεπίδες.

### Σύνδεση του προστατευτικού στο κοπτικό (εικ. Α, Β)

Το κοπτικό αποστέλλεται χωρίς να έχει συνδεθεί το προστατευτικό. Για να συνδέσετε το προστατευτικό:

- ♦ Αφαιρέστε τη βίδα συγκράτησης 10 του προστατευτικού χρησιμοποιώντας ένα κατσαβίδι τύπου Phillips (δεν παρέχεται).
- ♦ Τοποθετήστε το προστατευτικό στη θέση του όπως δείχνει η Εικ. Α. Βεβαιωθείτε ότι το προστατευτικό εισέρχεται στις αυλακώσεις στη μονάδα.
- ♦ Εισάγετε τη βίδα συγκράτησης 10 του προστατευτικού στο άνοιγμα στο πλάι του προστατευτικού και σφίξτε καλά όπως δείχνει η Εικ. Β.

**Προειδοποίηση!** Χρησιμοποιείτε το θαμνοκοπτικό μόνο με τη λαβή και το προστατευτικό κατάλληλα τοποθετημένα. Η χρήση του θαμνοκοπτικού χωρίς το κατάλληλο προστατευτικό ή την παρεχόμενη λαβή μπορεί να προκαλέσει σοβαρό τραυματισμό.

### Σύνδεση καλωδίου επέκτασης στο κοπτικό (εικ. C)

Στο πίσω μέρος της λαβής (6) του διακόπτη έχει ενσωματωθεί ένας συγκρατητήρας καλωδίου (7).

- ♦ Κοντά στο άκρο του καλωδίου επέκτασης, διπλώστε το καλώδιο επέκτασης για να δημιουργήσετε μια θηλιά.
- ♦ Περάστε τη θηλιά μέσα στο περίβλημα 11 του συγκρατητήρα καλωδίου όπως δείχνει η Εικ. C.
- ♦ Αγκιστρώστε τη θηλιά στο συγκρατητήρα καλωδίου 7 ώστε να βρίσκεται μέσα στο συγκρατητήρα καλωδίου.
- ♦ Συνδέστε το καλώδιο επέκτασης στη μονάδα.

### Σωστή τοποθέτηση των χεριών (Εικ. D)

Πάντα να κρατάτε το κοπτικό όπως φαίνεται στις εικόνες του εγχειρίδιου αυτό, με ένα χέρι στη λαβή διακόπτη και ένα χέρι στη βοηθητική λαβή (Εικ. D). Ποτέ μην κρατάτε τη μονάδα από το προστατευτικό της λεπίδας.

### Χρήση

**Προειδοποίηση!** Αφήστε το εργαλείο να λειτουργήσει με το δικό του ρυθμό. Μην το υπερφορτώνετε.

### Ενεργοποίηση και απενεργοποίηση

**Σημείωση:** Για την ασφάλειά σας, αυτό το εργαλείο είναι εξοπλισμένο με διπλό σύστημα ενεργοποίησης. Αυτό το σύστημα εμποδίζει τη μη ηθελημένη ενεργοποίηση του εργαλείου και επιτρέπει τη λειτουργία του εργαλείου μόνο εφόσον το κρατάτε και με τα δύο χέρια.

### Ενεργοποίηση (εικ. E)

- ♦ Για να ενεργοποιήσετε το εργαλείο, πιέστε το κουμπί απασφάλισης (4) στη βοηθητική λαβή (3) προς τα πίσω και πιέστε το διακόπτη σκανδάλης (5). Αφού η μονάδα αρχίσει να λειτουργεί, μπορείτε να αφήσετε ελεύθερο το

κουμπί απασφάλισης. Για να διατηρήσετε τη μονάδα σε λειτουργία, πρέπει να συνεχίσετε να πατάτε τη σκανδάλη. Για να απενεργοποιήσετε το εργαλείο, ελευθερώστε τη σκανδάλη.

**Προειδοποίηση!** Μην επιχειρήσετε ποτέ να ασφαλίσετε ένα διακόπτη στη θέση ενεργοποίησης (ON).

- ◆ Λαδώνετε τακτικά τις λεπίδες.

## Γενικές οδηγίες κοπής και περιποίησης

### Καλώδιο επέκτασης (εικ. F)

- ◆ Πάντα να διατηρείτε το καλώδιο επέκτασης πίσω από το κοπτικό και μακριά από τη λειτουργία κοπής, όπως δείχνει η εικόνα F. Ποτέ μην το απλώσετε πάνω στο φράκτη από θάμνους που κόβετε. Αν κόψετε το καλώδιο ή του προξενήσετε ζημιά, αποσυνδέστε το αμέσως από την πρίζα, πριν το επιθεωρήσετε ή το επισκευάσετε.

### Θέση εργασίας

- ◆ Διατηρείτε την κατάλληλη στήριξη με τα πόδια και την ισορροπία σας και μην τεντώνετε υπερβολικά.
- ◆ Φοράτε ειδικά προστατευτικά γυαλιά ασφαλείας, αντιλιοσηθικά υποδήματα και λαστιχένια γάντια για την κοπή.
- ◆ Κρατήστε το εργαλείο σταθερά και με τα δύο χέρια και ενεργοποιήστε την. Πάντα να κρατάτε το κοπτικό, όπως φαίνεται στην Εικ. D, με ένα χέρι στη λαβή διακόπτη και ένα χέρι στη βοηθητική λαβή. Ποτέ μην κρατάτε το εργαλείο από το προστατευτικό της λεπίδας.

### Κοπή νέας βλάστησης (εικ. G)

- ◆ Πιο αποτελεσματική είναι μια ευρεία κίνηση σάρωσης περνώντας τα δόντια της λεπίδας μέσα από τα κλαδάκια. Μια ελαφρά προς τα κάτω κλίση της λεπίδας στην κατεύθυνση της κίνησης δίνει την καλύτερη κοπή.

**Προειδοποίηση!** Μην χρησιμοποιείτε το κοπτικό για να κόβετε κλαδάκια μεγαλύτερα από 16 mm. Χρησιμοποιείτε το κοπτικό μόνο για την κοπή κανονικών θάμνων που υπάρχουν γύρω από σπίτια και κτίρια.

### Επίπεδοι φυτικοί φράχτες (εικ. H)

- ◆ Για να αποκτήσετε εξαιρετικά επίπεδους φυτικούς φράχτες, μπορείτε να τεντώσετε ένα κομμάτι σπάγκο κατά μήκος του φράχτη σαν οδηγό.

### Πλευρικό κούρεμα φυτικών φραχτών (εικ. I)

- ◆ Εκκινήστε από το κάτω μέρος εκτελώντας κινήσεις σάρωσης προς τα πάνω.

### Λεπίδα πριονιού (εικ. J)

- ◆ Για κλαριά που είναι πολύ μεγάλα για την κανονική λεπίδα (1), χρησιμοποιήστε τη λεπίδα πριονιού (8).

Τοποθετήστε τη λεπίδα πριονιού όσο το δυνατόν πιο κοντά στο κάτω μέρος του κλαδιού. Τοποθετήστε το πέλμα της λεπίδας πριονιού (9) σε επαφή με το κλαδί. Ενεργοποιήστε το θαμνοκοπτικό όπως περιγράφεται παραπάνω, επιτρέποντας στο εργαλείο να λειτουργήσει με τον κανονικό του ρυθμό έως ότου κοπεί πλήρως το κλαδί.

Οι λεπίδες κοπής είναι κατασκευασμένες από υψηλής ποιότητας, σκληρυμένο χάλυβα και με κανονική χρήση δεν θα χρειαστούν νέο τρόχισμα. Ωστόσο, αν χτυπήσετε κατά λάθος ένα φράκτη από συρματοπλέγμα (Εικ. L), πέτρες, γυαλί ή άλλα σκληρά αντικείμενα, μπορεί να δημιουργηθεί μια εγκοπή στη λεπίδα. Δεν χρειάζεται να αφαιρέσετε αυτή την εγκοπή εφόσον δεν επηρεάζει την κίνηση της λεπίδας. Αν όμως την επηρεάζει, αποσυνδέστε το καλώδιο και χρησιμοποιήστε μια λίμα με φιλά δόντια ή μια πέτρα τροχίσματος για να αφαιρέσετε την εγκοπή. Αν σας πέσει το κοπτικό, επιθεωρήστε το προσεκτικά για ζημιές. Αν έχει λυγίσει η λεπίδα, ραγίσει το περίβλημα ή έχουν σπάσει οι λαβές ή αν δείτε οποιοδήποτε άλλο πρόβλημα που μπορεί να επηρεάσει τη λειτουργία του κοπτικού, επικοινωνήστε με το τοπικό σας Κέντρο σέρβις BLACK+DECKER για επισκευές, πριν το θέσετε πάλι σε χρήση.

Λιπάσματα και άλλα χημικά κήπου περιέχουν παράγοντες που επιταχύνουν σε μεγάλο βαθμό τη διάβρωση των μετάλλων. Μην αποθηκεύετε τη μονάδα πάνω ή κοντά σε λιπάσματα ή χημικά.

### Αξεσουάρ

Η απόδοση του εργαλείου σας εξαρτάται από το αξεσουάρ που χρησιμοποιείτε. Τα αξεσουάρ της BLACK+DECKER έχουν κατασκευαστεί μηχανικά με βάση πρότυπα υψηλής ποιότητας και είναι σχεδιασμένα να ενισχύουν την απόδοση του εργαλείου σας. Χρησιμοποιώντας αυτά τα αξεσουάρ, θα εξασφαλίσετε την καλύτερη δυνατή απόδοση του εργαλείου σας.

### Συντήρηση

Αυτή η συσκευή/το εργαλείο ρεύματος/μπαταρίας της BLACK+DECKER έχει σχεδιαστεί έτσι ώστε να λειτουργεί για μεγάλο χρονικό διάστημα με την ελάχιστη δυνατή συντήρηση. Η συνεχής ικανοποιητική λειτουργία εξαρτάται από τη σωστή φροντίδα και τον τακτικό καθαρισμό του εργαλείου. Λάδι λίπανσης διατίθεται από τα εμπορικά σημεία πώλησης προϊόντων BLACK+DECKER (αρ. κατ. A6102-ΧJ).

**Προειδοποίηση!** Πριν πραγματοποιήσετε οποιαδήποτε συντήρηση σε ηλεκτρικά εργαλεία ρεύματος/μπαταρίας:

- ◆ Απενεργοποιήστε και αποσυνδέστε τη συσκευή/το εργαλείο από την πρίζα.
- ◆ Ή απενεργοποιήστε και αφαιρέστε το πακέτο μπαταρίας από τη συσκευή/το εργαλείο, εάν η συσκευή/το εργαλείο διαθέτει αφαιρούμενο πακέτο μπαταρίας.



- ◆ Ή χρησιμοποιήστε την μπαταρία μέχρι να αδειάσει εντελώς, αν είναι ενσωματωμένη, και στη συνέχεια απενεργοποιήστε.
- ◆ Αποσυνδέστε το φορτιστή από την πρίζα πριν τον καθαρισμό του. Ο φορτιστής σας δεν χρειάζεται καμία άλλη συντήρηση πέραν του τακτικού καθαρισμού.
- ◆ Να καθαρίζετε τακτικά τις σπές εξαιρισμού της συσκευής/ του εργαλείου/του φορτιστή χρησιμοποιώντας μια μαλακή βούρτσα ή ένα στεγνό πανί.
- ◆ Καθαρίζετε τακτικά το περιβάλλον του μοτέρ με ένα ελαφρά υγρό πανί. Μη χρησιμοποιείτε καθαριστικά που χαράζουν ή περιέχουν διαλύτες.
- ◆ Μετά τη χρήση, καθαρίζετε προσεκτικά τις λεπίδες. Μετά τον καθαρισμό, περάστε τις λεπίδες με ένα λεπτό στρώμα λαδιού μηχανής για την προστασία τους από τη σκουριά.

## Αντιμετώπιση προβλημάτων

Προβλήμα	Πιθανή αιτία	Πιθανή λύση
Αργή λειτουργία, πολύς θόρυβος ή καυτές λεπίδες.	Ξηρές, διαβρωμένες λεπίδες. Λυγισμένη λεπίδα ή στήριγμα λεπίδας. Λύγισμα ή άλλη ζημιά σε δόντια. Λασκαρισμένα μπουλόνια λεπίδας.	Λιπάνετε τις λεπίδες. Ισιώστε τη λεπίδα ή το στήριγμα λεπίδας. Ισιώστε τα δόντια. Σφίξτε τα μπουλόνια της λεπίδας.
Η μονάδα δεν τίθεται σε λειτουργία.	Η ασφάλεια σε απενεργοποιημένη κατάσταση δεν λειτουργεί πλήρως. Το καλώδιο δεν έχει συνδεθεί στην πρίζα. Κάθε η ασφάλεια του κυκλώματος. Έπασε ο ασφαλειοδιακόπτης κυκλώματος. Ζημιά στο καλώδιο ή στο διακόπτη.	Ελέγξτε αν η ασφάλεια σε απενεργοποιημένη κατάσταση έχει πατηθεί πλήρως πριν κινήσετε την κύρια σκανδάλη. Συνδέστε το καλώδιο σε πρίζα που λειτουργεί. Αντικαταστήστε την ασφάλεια του κυκλώματος. (Αν το προϊόν καίει συνεχώς την ασφάλεια, σταμάτηστε άμεσα τη χρήση και ζητήστε την επισκευή του από ένα κέντρο σέρβις της BLACK+DECKER ή εξουσιοδοτημένη εταιρεία σέρβις.) Επαναφέρετε τον ασφαλειοδιακόπτη κυκλώματος. (Αν το προϊόν προκαλεί συνεχώς σφάλμα του ασφαλειοδιακόπτη, διακόψτε άμεσα τη χρήση και ζητήστε επισκευή σε ένα κέντρο σέρβις της BLACK+DECKER ή σε εξουσιοδοτημένη εταιρεία σέρβις.) Απευθυνθείτε σε ένα κέντρο σέρβις της BLACK+DECKER ή σε εξουσιοδοτημένη εταιρεία σέρβις για αντικατάσταση του καλωδίου ή του διακόπτη.

## Προστασία του περιβάλλοντος



Χωριστή συλλογή. Τα προϊόντα και οι μπαταρίες που επισημαίνονται με αυτό το σύμβολο δεν πρέπει να απορρίπτονται μαζί με τα κανονικά οικιακά απορρίμματα.

Τα προϊόντα και οι μπαταρίες περιέχουν υλικά που μπορούν να ανακτηθούν ή να ανακυκλωθούν ώστε να μειωθούν οι ανάγκες για πρώτες ύλες.

Παρακαλούμε να ανακυκλώνετε τα ηλεκτρικά προϊόντα και τις μπαταρίες σύμφωνα με τους τοπικούς κανονισμούς. Περισσότερες πληροφορίες διατίθενται στον ιστότοπο [www.2helpU.com](http://www.2helpU.com)

## Τεχνικά δεδομένα

		BEHTS301 Τύπος 1	BEHTS401 Τύπος 1
Τάση	V <sub>AC</sub>	230	230
Κατανάλωση ισχύος	W	500	500
Διαδρομές των λεπίδων (χωρίς φορτίο)	min <sup>-1</sup>	1850	1835
Μήκος λεπίδας	cm	50	55
Διάκενο μεταξύ των λεπίδων	mm	22	22
Χρόνος φρεναρίσματος λεπίδας	δευτ.	<1	<1
Μέγ. κοπή λεπίδας πριονιού	mm	35	35
Βάρος	kg	2,47	2,54

		BEHTS451 Τύπος 1	BEHTS501 Τύπος 1
Τάση	$V_{AC}$	230	230
Κατανάλωση ισχύος	W	550	600
Διαθρομίς των λεπίδων (χωρίς φορτίο)	$\text{min}^{-1}$	1870	1840
Μήκος λεπίδας	cm	60	60
Διάκενο μεταξύ των λεπίδων	mm	25	25
Χρόνος φρεναρίσματος λεπίδας	δευτ.	<1	<1
Μέγ. κοπή λεπίδας πριονιού	mm	35	35
Βάρος	kg	2,65	2,65

Για περισσότερες πληροφορίες, επικοινωνήστε με την Black & Decker στην παρακάτω διεύθυνση ή ανατρέξτε στο πίσω μέρος του εγχειριδίου.

Ο κάτωθι υπογεγραμμένος είναι υπεύθυνος για την κατάρτιση του τεχνικού φακέλου και δηλώνει τα παρόντα εκ μέρους της Black & Decker.



A. Smith  
Technical Director

Black & Decker Europe, 210 Bath Road, Slough,  
Berkshire, SL1 3YD  
United Kingdom  
22/01/2019

## Εγγύηση

Η Black & Decker είναι σίγουρη για την ποιότητα των προϊόντων της και προσφέρει στους καταναλωτές εγγύηση 24 μηνών από την ημερομηνία αγοράς. Αυτή η εγγύηση συμπληρώνει και με κανένα τρόπο δεν παραβάλλει τα νόμιμα δικαιώματά σας. Η εγγύηση ισχύει εντός της επικράτειας των χωρών μελών της Ευρωπαϊκής Ένωσης και της Ευρωπαϊκής Ζώνης Ελευθερών Συναλλαγών.

Για να υποβάλετε αξίωση βάσει της εγγύησης, η αξίωση θα πρέπει να είναι σύμφωνη με τους Όρους και προϋποθέσεις της Black & Decker και θα χρειαστεί να υποβάλετε απόδειξη αγοράς στον πωλητή ή σε εξουσιοδοτημένο αντιπρόσωπο σέρβις. Μπορείτε να αποκτήσετε τους Όρους και προϋποθέσεις της εγγύησης 2 ετών της Black & Decker και να μάθετε την τοποθεσία του πλησιέστερου εξουσιοδοτημένου αντιπροσώπου επισκευών στο Internet στο [www.2helpU.com](http://www.2helpU.com), ή επικοινωνώντας με το τοπικό σας γραφείο Black & Decker στη διεύθυνση που υποδεικνύεται στο παρόν εγχειρίδιο.

Παρακαλούμε επισκεφθείτε την ιστοσελίδα μας [www.blackanddecker.gr](http://www.blackanddecker.gr) για να καταχωρίσετε το νέο σας προϊόν Black & Decker και για να ενημερώσετε για τα νέα προϊόντα και τις ειδικές προσφορές.

## Δήλωση συμμόρφωσης EK

ΟΔΗΓΙΑ ΠΕΡΙ ΜΗΧΑΝΗΜΑΤΩΝ

ΟΔΗΓΙΑ ΓΙΑ ΘΟΥΡΥΒΟΥΣ ΣΕ ΕΞΩΤΕΡΙΚΟΥΣ ΧΩΡΟΥΣ



BEHTS301, BEHTS401, BEHTS451,  
BEHTS501 – Θαμνοκοπτικό

Η Black & Decker δηλώνει ότι τα προϊόντα αυτά που περιγράφονται στα "τεχνικά χαρακτηριστικά" συμμορφώνονται με τα ακόλουθα:

EN 60745-1:2009 +A11:2010, EN 60745-2-15:2009 +A1:2010

2000/14/EC, Θαμνοκοπτικό, Παράρτημα V

Μετρημένη στάθμη ηχητικής ισχύος ( $L_{WA}$ ) 98 dB(A)

Αβεβαιότητα (K) 2,0 dB(A)

Εγγυημένη ηχητική ισχύς ( $L_{WA}$ ) 100 dB(A)

Αυτά τα προϊόντα συμμορφώνονται επίσης με την Οδηγία 2006/42/EK, 2014/30/EK και 2011/65/EE.



<b>België/Belgique/Luxembourg</b> www.blackanddecker.be enduser.be@sbdinc.com	Stanley Black & Decker Belgium BVBA Egide Walschaertsstraat 16 2800 Mechelen	Tel. NL +32 15 47 37 65 Tel. FR +32 15 47 37 66 Fax. +32 15 47 37 99
<b>Danmark</b>	Black & Decker Roskildevej 22 2620 Albertslund	kundeservice.dk@sbdinc.com www.blackanddecker.dk
<b>Deutschland</b> www.blackanddecker.de infobdgc@sbdinc.com	Stanley Black & Decker Deutschland GmbH Black & Decker Str. 40, D - 65510 Idstein	Tel. 06126 21-0 Fax 06126 21-2980
<b>Ελλάδα</b> www.blackanddecker.gr greece.service@sbdinc.com	Stanley Black & Decker (ΕΛΛΑΣ) Ε.Π.Ε ΓΡΑΦΕΙΑ: Σπύριδωνος 7 & Βουλιαγμένης 166 74 Γλυφάδα - Αθήνα	Τηλ. 210-8981616 Φαξ 210-8983570
<b>SERVICE:</b>	Ημερος Τόπος 2 -Χάνι Αδάμ 193 00 Ασπρόπυργος - Αθήνα	Τηλ. Service 210-8985208 Φαξ 210-5597598
<b>España</b> www.blackanddecker.es respuesta.posventa@sbdinc.com	Stanley Black & Decker Ibérica, S.C.A. Parc de Negocis "Mas Blau" Edificio Muntadas, c/Bergadá, 1, Of. A6 08820 El Prat de Llobregat (Barcelona)	Tel. 934 797 400 Fax 934 797 419
<b>France</b> www.blackanddecker.fr	Black & Decker (France) S.A.S. 5 allée des Hêtres B.P. 30084 69579 Limonest Cédex	Tel. 04 72 20 39 20 Fax 04 72 20 39 00
<b>Helvetia</b> www.blackanddecker.ch service@rofoag.ch	ROFO AG Gewerbezone Seeblick 3213 Kleinbösingen	Tel. 026-6749393 Fax 026-6749394
<b>Italia</b> www.blackanddecker.it service.italia@sbdinc.com	Stanley Black & Decker Italia Via Energypark 6 20871 Vimercate (MB)	Tel. 039-9590200 Fax 039-9590313 Numero verde 800-213935
<b>Nederland</b> www.blackanddecker.nl enduser.nl@sbdinc.com	Stanley Black & Decker Netherlands BV Holtum Noordweg 35, 6121 RE BORN Postbus 83, 6120 AB BORN	Tel. +31 164 283 065 Fax +31 164 283 200
<b>Norge</b>	Black & Decker Postboks 4613, Nydalen 0405 Oslo	kundeservice.no@sbdinc.com www.blackanddecker.no
<b>Österreich</b> www.blackanddecker.at service.austria@sbdinc.com	Stanley Black & Decker Austria GmbH Oberlaaerstraße 248, A-1230 Wien	Tel. 01 66116-0 Fax 01 66116-614
<b>Portugal</b> www.blackanddecker.pt resposta.posvenda@sbdinc.com	Black & Decker Limited SARL Quinta da Fonte - Edifício Q55 D. Diniz Rua dos Malhões, 2 e 2A - Piso 2 Esquerdo 2770 - 071 Paço de Arcos	Tel. 214667500 Fax 214667580
<b>Suomi</b>	Black & Decker PL47 00521, Helsinki	asiakaspalvelu.fi@sbdinc.com www.blackanddecker.fi
<b>Sverige</b>	Black & Decker AB Box 94, 431 22 Mölndal	kundservice.se@sbdinc.com www.blackanddecker.se
<b>Türkiye</b> www.blackanddecker.com.tr	KALE Hırdavat ve Makina A.Ş. Defferdar Mah. Savaklar Cad. No:15 Edimekapı / Eyüp / İstanbul 34050	Tel. 0212 533 52 55 Fax. 0212 533 10 05
<b>United Kingdom &amp; Republic Of Ireland</b> www.blackanddecker.co.uk emeaservice@sbdinc.com	Black & Decker 210 Bath Road Slough, Berkshire SL1 3YD	Tel. 01753 511234 Fax 01753 512365
<b>Middle East &amp; Africa</b> www.blackanddecker.ae service.mea@sbdinc.com	Black & Decker P.O.Box - 17164 Jebel Ali Free Zone (South), Dubai, UAE	Tel. +971 4 8863030 Fax +971 4 8863333