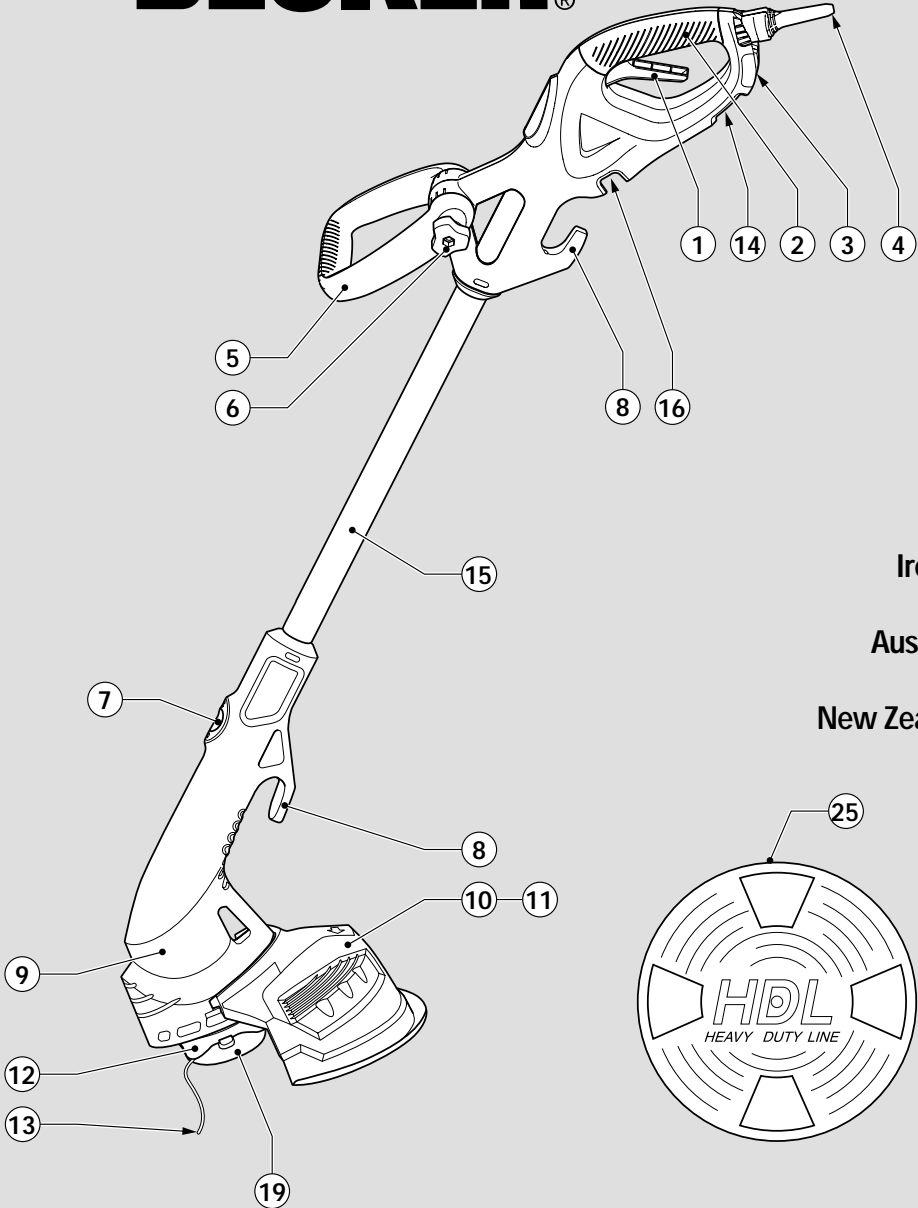




# BLACK & DECKER®

www.blackanddecker.com

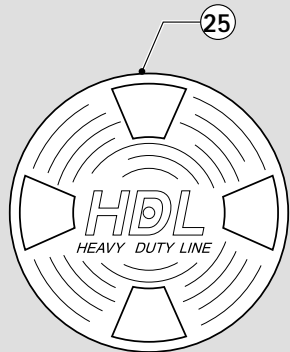


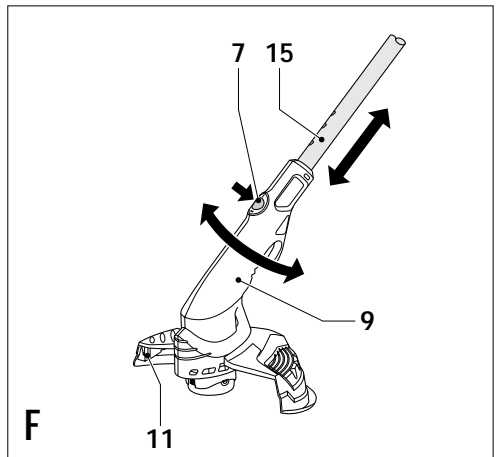
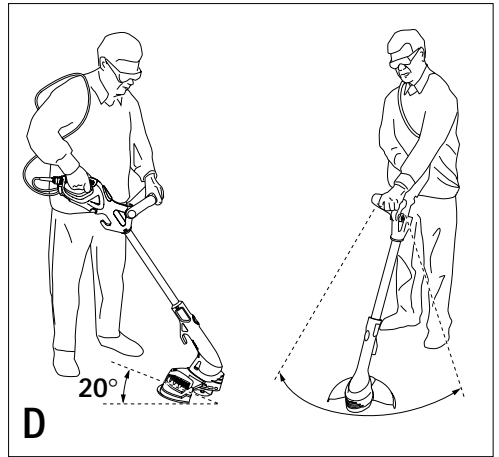
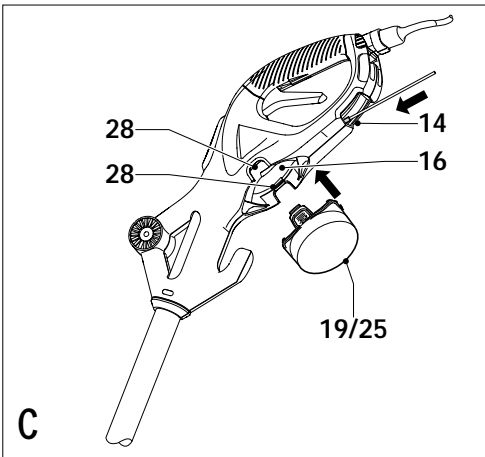
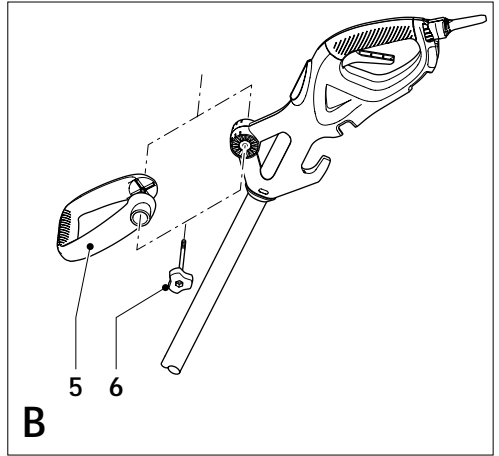
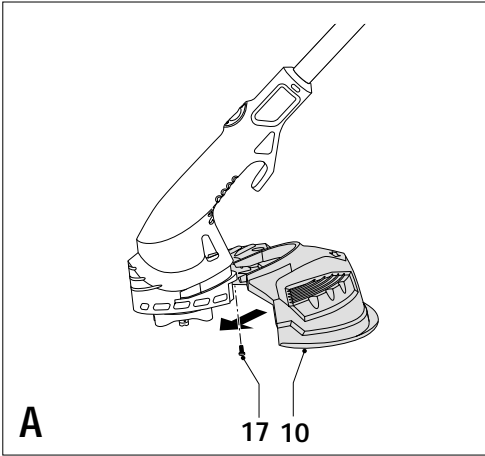
UK

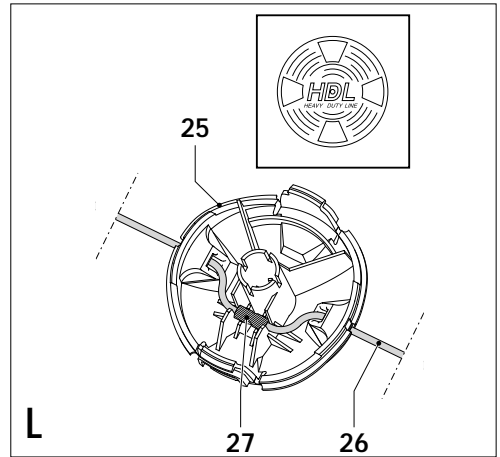
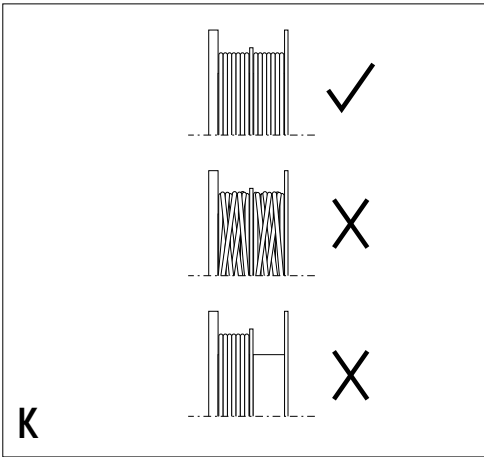
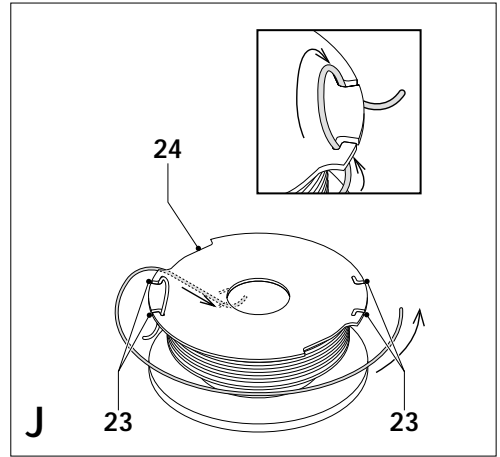
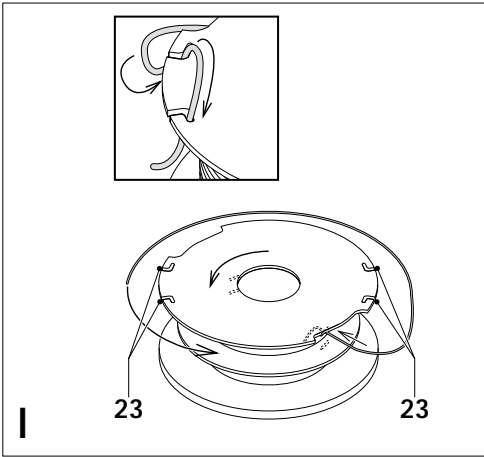
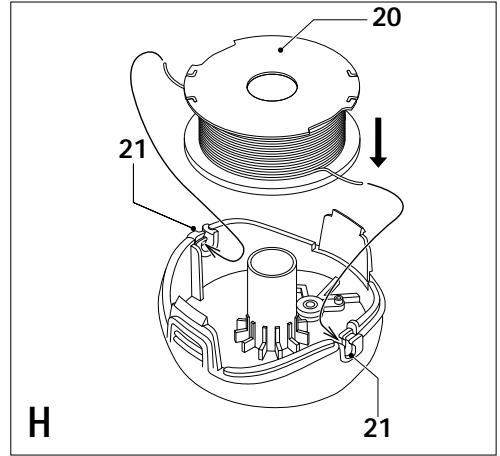
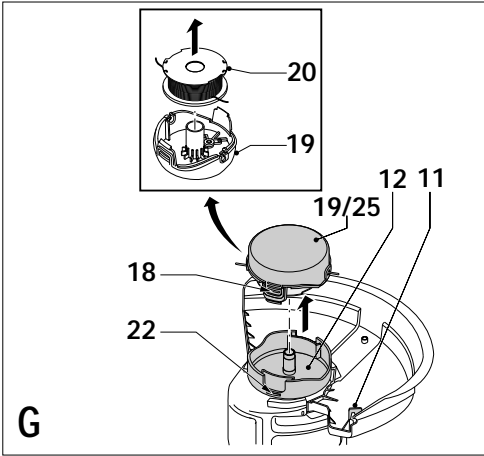
Ireland

Australia

New Zealand







## Intended use

Your Black & Decker strimmer GL680/GL690 has been designed for trimming and finishing lawn edges and to cut grass in confined spaces. This tool is intended for consumer use only.

## Safety instructions

- ◆ **Warning!** When using mains-powered appliances, basic safety precautions, including the following, should always be followed to reduce the risk of fire, electric shock and personal injury.
- ◆ Read all of this manual carefully before operating the appliance.
- ◆ Before operating the appliance, make sure that you know how to switch it off in an emergency.
- ◆ The intended use is described in this manual. The use of any accessory or attachment or performance of any operation with this appliance other than those recommended in this instruction manual may present a risk of personal injury.
- ◆ Retain this manual for future reference.

## Work area

- ◆ Do not expose the appliance to rain. Do not use the appliance in damp or wet conditions.
- ◆ Only use the appliance in daylight or good artificial light.

## Personal protection

- ◆ Wear stout shoes or boots to protect your feet. Do not operate the appliance wearing open-toed sandals or when barefoot.
- ◆ Wear long trousers to protect your legs.

## Using your appliance

- ◆ Be sure that the appliance is switched off when plugging in.
- ◆ Stay alert. Watch what you are doing. Use common sense.
- ◆ Do not operate the appliance when you are tired.
- ◆ If the appliance begins to vibrate abnormally, switch it off and remove the plug from the socket. Allow rotating parts to stop and inspect the appliance for damage and loose parts.
- ◆ Never pull the cord to disconnect the plug from the socket. Keep the cord away from heat, oil and sharp edges.
- ◆ If the mains cable is damaged during use, switch the appliance off and disconnect the plug from the mains immediately. Do not touch the mains cable before disconnecting from the mains.

## Safety of others

- ◆ Do not allow children or any person unfamiliar with these instructions to operate the appliance.
- ◆ Do not allow children, visitors or animals to come near the work area or to touch the appliance or mains cable.

- ◆ Remember that the operator may be held responsible for accidents or hazards occurring to other people or their property.

## After use

- ◆ Switch off, remove the plug from the socket and ensure that moving parts have stopped rotating before leaving the appliance unattended and before changing, cleaning or inspecting any parts of the appliance.
- ◆ When not in use, the appliance should be stored in a dry place. Children should not have access to stored appliances.

## Inspection and repairs

- ◆ Before use, check the appliance for damaged or defective parts. Check for misalignment and seizure of moving parts, breakage of parts, damage to guards and switches and any other conditions that may affect its operation.
- ◆ Do not use the appliance if any part is damaged or defective. Do not use the appliance if the switch does not turn it on and off.
- ◆ Never use the appliance when any guard or enclosure is damaged or not in place.
- ◆ Ensure that the appliance will operate properly and perform its intended function.
- ◆ Have any damaged or defective parts repaired or replaced by an authorised repair agent.
- ◆ Before use, check the mains cable for signs of damage, ageing and wear.
- ◆ Do not use the appliance if the mains cable is damaged or defective.
- ◆ If the mains cable is damaged or defective it must be repaired by an authorised repair agent to avoid a hazard.
- ◆ Never attempt to remove or replace any parts other than those specified in this manual.

## Electrical safety



This tool is double insulated; therefore no earth wire is required. Always check that the power supply corresponds to the voltage on the rating plate.

## Additional safety instructions for grass trimmers

The following warning symbols are found on the appliance:



Read the manual prior to operation.



Wear safety glasses or goggles when operating this tool.



Keep people and animals at least 6 m away from the cutting area.



Do not expose the appliance to rain or high humidity.



Do not use heavy duty line in edging mode.

- ◆ Before using the appliance, check that your cutting path is free from sticks, stones, wire and any other objects.
- ◆ Only use the appliance in the correct position, with the cutting line near the ground, as shown in the illustrations. Never switch the appliance on in any other position.
- ◆ Switch on the appliance only when hands and feet are away from the cutting line.
- ◆ Avoid body contact with the cutting line while the appliance is running.
- ◆ Do not work on steep slopes. Be sure of your footing. Be aware that freshly cut grass is damp and slippery.
- ◆ Take care when trimming near borders and gravel paths or roads, as stones and soil may be moved by the cutting line.
- ◆ Do not put the appliance down until the cutting line has come to a complete standstill.
- ◆ Use only the appropriate type of Black & Decker cutting line. Never use metal cutting line or fishing line.
- ◆ After extending new cutting line, always return the appliance to its normal operating position before switching on.
- ◆ Take care to keep the mains cable away from the cutting line. Always be aware of the position of the cable.

### Additional safety instructions for Australia and New Zealand

- ◆ This appliance is not intended for use by young or infirm persons without supervision. Children must be supervised to ensure they do not play with the appliance.
- ◆ If the supply cord is damaged, it must be replaced by the manufacturer or an authorised Black & Decker Service Centre in order to avoid a hazard.

### Features

This tool includes some or all of the following features.

1. Trigger lever (on/off switch)
2. Handle
3. Cable restraint
4. Power inlet
5. Secondary handle
6. Handle knob
7. Adjustment button
8. Cable storage hooks
9. Motor housing
10. Guard
11. Line trimming blade (see fig. F)
12. Spool housing

13. Cutting line
14. Line storage pouch
15. Tube
16. Spool storing position

### Assembly

**Warning!** Before assembly, make sure that the tool is switched off and unplugged.

#### Fitting the guard (fig. A)

- ◆ Remove the screw (17) from the guard (10).
- ◆ Place the guard onto the tool as shown.
- ◆ Firmly press the guard until it snaps into place.
- ◆ Secure the guard with the screw.

**Warning!** Never use the tool unless the guard is properly fitted.

#### Fitting the secondary handle (fig. B)

- ◆ Place the handle (5) on the tool as shown.
- ◆ Adjust the handle to the most comfortable position. Use the markings as a guide.
- ◆ Pass the bolt (6) through the secondary handle and the main handle.
- ◆ Screw the bolt into the far side of the secondary handle. Do not overtighten the bolt.

#### Storing the spool not in use (fig. C)

The tool has two cutting systems:

- ◆ **Reflex plus:** Twin line autofeed for light trimming and edging.
- ◆ **HDL:** Heavy Duty Line cutting system for more overgrown areas.

The cutting system not in use can be stored in the position provided (16).

- ◆ Align the tabs on the cutting head with the cut outs (28) at the underside of the handle.
- ◆ Push the cutting head into the handle until it snaps securely into place.

#### Storing the heavy cutting line (fig. C)

- ◆ The unit is supplied with several pieces of spare heavy cutting line.
- ◆ The extra pieces of heavy cutting line can be stored securely in the recess in the handle (14).

#### Releasing the cutting line

In transit, the cutting line is taped to the spool housing.

- ◆ Remove the tape holding the cutting line (13) to the spool housing (12).

### Fitting the heavy duty cutting line (fig. G & L)

Your trimmer will reach you with the Reflex plus spool installed. To fit the HDL Heavy Duty Line cutting system, proceed as follows:

- ◆ Unplug the tool.
- ◆ Keep the tabs (18) depressed and remove the spool cover (19) from the housing (12) (fig. G).
- ◆ Make sure a piece of heavy cutting line is correctly fitted to the heavy cutting head, as described in "Maintenance - Fitting a new piece of heavy duty cutting line" (see fig. L).
- ◆ Align the tabs on the heavy cutting head with the cut outs (22) in the housing (fig. G).
- ◆ Push the heavy cutting head onto the housing until it snaps securely into place.

### Connecting the tool to the mains

- ◆ Connect the female plug of a suitable extension cable to the power inlet (4).
- ◆ Loop the cable through the cable restraint (3).
- ◆ Insert the mains plug into a mains outlet.

For wired in cable units: Make sure the cable is looped through the cable restraint prior to connecting the plug to the mains outlet.

**Warning!** The extension cable must be suitable for outdoor use.

### Use

**Warning!** Let the tool work at its own pace. Do not overload.

### Setting the tool to trimming or edging mode (fig. D, E & F)

The tool can be used in trimming mode as shown in fig. D or in edging mode to trim overhanging grass along lawn edges and flower beds as shown in fig. E.

**Warning!** Do not use the heavy duty cutting system for edging.

#### Trimming mode (fig. D & F)

For trimming, the trimmer head should be in the position shown in fig. D. If it is not:

- ◆ Depress the adjustment button (7).
- ◆ Rotate the head (9), while releasing the button.
- ◆ When the head is in position, the button will lock into place.

Note: The head will only rotate in one direction.

#### Edging mode (fig. E & F)

For edging, the trimmer head should be in the position shown in fig. E. If it is not:

- ◆ Depress the adjustment button (7).
- ◆ Rotate the head (9), while releasing the button.
- ◆ When the head is in position, the button will lock into place.

Note: The head will only rotate in one direction.

**Warning!** Do not use the heavy duty cutting system for edging.

### Adjusting the height of the tool (fig. F)

This tool has a telescopic mechanism, allowing you to set it to a comfortable height. There are three height settings.

To adjust the height setting, proceed as follows:

- ◆ Depress the adjustment button (7).
- ◆ Gently pull the tube (15) in or out of the motor housing (9) to the desired height, while releasing the button.
- ◆ When the tube is in position, the button will lock into place.

### Switching on and off

- ◆ To switch the tool on, squeeze the trigger lever (1).
- ◆ To switch the tool off, release the trigger lever.

**Warning!** Never attempt to lock the trigger lever in the on position.

### Hints for optimum use

#### General

- ◆ In order to achieve optimum cutting results, only cut dry grass.

#### Trimming

- ◆ Hold the tool as shown in fig. D.
- ◆ Gently swing the trimmer from side to side.
- ◆ When cutting long grass, work in stages from the top. Take small cuts.
- ◆ Keep the tool away from hard objects and delicate plants.
- ◆ If the tool starts running slowly, reduce the load.

#### Edging

Optimum cutting results are achieved on edges deeper than 50 mm.

- ◆ Do not use the tool to create edges. To create edges, use an edging spade.
- ◆ Guide the tool as shown in fig. E.
- ◆ To make a closer cut, slightly tilt the tool.

### Maintenance

Your tool has been designed to operate over a long period of time with a minimum of maintenance. Continuous satisfactory operation depends upon proper tool care and regular cleaning.

**Warning!** Before performing any maintenance, switch off and unplug the tool.

- ◆ Regularly clean the ventilation slots in your tool using a soft brush or dry cloth.
- ◆ Regularly clean the cutting line and spool using a soft brush or dry cloth.
- ◆ Regularly use a blunt scraper to remove grass and dirt from the underneath of the guard.

### Fitting a new spool of cutting line (fig. G & H)

Replacement spools of cutting line are available from your Black & Decker dealer (cat. no. A6441).

Complete cassettes containing a spool of cutting line are also available (cat. no. 6488).

- ◆ Unplug the tool.
- ◆ Keep the tabs (18) depressed and remove the spool cover (19) from the housing (12) (fig. G).
- ◆ Remove the empty spool (20) from the spool cover.
- ◆ Remove any dirt and grass from the spool cover and housing.
- ◆ Take the new spool and push it onto the boss in the spool cover. Rotate the spool slightly until it is seated.
- ◆ Unclip the end of one of the cutting lines and guide the line into one of the eyelets (21) (fig. H).  
The line should protrude approx. 11 cm from the spool cover.
- ◆ Unclip the end of the other cutting line and guide the line into the other eyelet. The line should protrude approx. 11 cm from the spool cover.
- ◆ Align the tabs (18) on the spool cover with the cut outs (22) in the housing (fig. G).
- ◆ Push the cover onto the housing until it snaps securely into place.

**Warning!** If the cutting lines protrude beyond the trimming blade (11), cut them off so that they just reach the blade.

### Winding new line onto an empty spool (fig. I, J & K)

You may wind new cutting line onto an empty spool.

Replacement packs of cutting line are available from your Black & Decker dealer (cat. no. A6440).

- ◆ Remove the empty spool from the tool as described above.
- ◆ Remove any remaining cutting line from the spool.
- ◆ First wind new line onto the uppermost part of the spool:
  - Feed 2 cm of cutting line into one of the slots in the upper section of the spool as shown.
  - Wind the cutting line onto the spool in the direction of the arrow. Make sure to wind the line on neatly and in layers. Do not criss-cross.
  - When the wound cutting line reaches the recesses (24), cut the line.
  - Temporarily park the line in the slots (23) on one side of the spool as shown.
- ◆ Repeat the above procedure for the second cutting line on the lower section of the spool. Park the line in the unused slots (23).
- ◆ Proceed as described above to fit the spool on the tool.  
Do not forget to release the cutting line from the parking slots (23).

**Warning!** Only use the appropriate type of Black & Decker cutting line. Ensure that cutting line is present in both sections of the spool (fig. K).

### Fitting a new piece of heavy duty cutting line (fig. G & L)

Replacement pieces of heavy duty cutting line are available from your Black & Decker dealer (cat. no. A6487). To fit a new piece of cutting line, proceed as follows:

- ◆ Unplug the tool.
- ◆ Keep the tabs (18) depressed and remove the heavy cutting head (25) from the housing (12) (fig. G).
- ◆ Remove the used piece of line from the heavy cutting head.
- ◆ Thread a new piece of line (26) through the holes in the heavy cutting head.
- ◆ Put the central ferrule (27) in the indicated position.
- ◆ Align the tabs on the heavy cutting head with the holes (22) in the housing (fig. G).
- ◆ Push the heavy cutting head onto the housing until it snaps securely into place.

### Troubleshooting

If your tool seems not to operate properly, follow the instructions below. If this does not solve the problem, please contact your local Black & Decker repair agent.

**Warning!** Before proceeding, switch off and unplug the tool.

#### Tool runs slowly

- ◆ Check that the spool housing can rotate freely.  
Carefully clean it if necessary.
- ◆ Check that the cutting line does not protrude more than 11 cm from the spool housing. If it does, cut it off so that it just reaches the line trimming blade.

#### Automatic line feed does not work

- ◆ Keep the tabs depressed and remove the spool cover from the housing.
- ◆ Pull the cutting line until it protrudes 11 cm from the housing. If insufficient cutting line is left on the spool, install a new spool of cutting line as instructed above.
- ◆ Align the tabs on the spool cover with the cut outs in the housing.
- ◆ Push the cover onto the housing until it snaps securely into place.
- ◆ If the cutting line protrudes beyond the trimming blade, cut it off so that it just reaches the blade.

If the automatic line feed still does not work or the spool is jammed, try the following suggestions:

- ◆ Carefully clean the spool cover and housing.
- ◆ Remove the spool and check if the lever can move freely.
- ◆ Remove the spool and unwind the cutting line, then wind it on neatly again as described above. Replace the spool as instructed.

## Protecting the environment



Black & Decker provides a facility for recycling Black & Decker products once they have reached the end of their working life. This service is provided free of charge. To take advantage of this service please return your product to any authorised repair agent who will collect them on our behalf.

You can check the location of your nearest authorised repair agent by contacting your local Black & Decker office at the address indicated in this manual. Alternatively, a list of authorised Black & Decker repair agents and full details of our after-sales service and contacts are available on the Internet at: [www.2helpU.com](http://www.2helpU.com).

### Technical data

	GL680	GL690
Power input	W 500	630
No load speed	min <sup>-1</sup> 8000/9700	8500/10200
Weight	kg 2.6	2.9

## EC declaration of conformity

### GL680/GL690

Black & Decker declares that these products conform to:  
98/37/EC, 89/336/EEC, 73/23/EEC, EN 60335, EN 55014,  
EN 61000, 2000/14/EC, Lawn trimmer, L < 50 cm  
Annex VIII, No. 0086  
B.S.I., HP2 4SQ, United Kingdom

Level of sound pressure, measured according to 2000/14/EC:  
 $L_{pA}$  (sound pressure): 81 dB(A),  $L_{WA}$  (acoustic power) 95 dB(A),  
 $L_{WA}$  (guaranteed) 96 dB(A)

Hand/arm weighted vibration, measured according to EN 786:  
< 2.5 m/s<sup>2</sup>

Kevin Hewitt  
Director of Consumer Engineering  
Spennymoor, County Durham DL16 6JG,  
United Kingdom  
01-10-2002

## Guarantee

Black & Decker is confident of the quality of its products and offers an outstanding guarantee. This guarantee statement is in addition to and in no way prejudices your statutory rights. The guarantee is valid within the territories of the Member States of the European Union and the European Free Trade Area.

If a Black & Decker product becomes defective due to faulty materials, workmanship or lack of conformity, within 24 months from the date of purchase, Black & Decker guarantees to replace defective parts, repair products subjected to fair wear and tear or replace such products to ensure minimum inconvenience to the customer unless:

- ◆ The product has been used for trade, professional or hire purposes;
- ◆ The product has been subjected to misuse or neglect;
- ◆ The product has sustained damage through foreign objects, substances or accidents;
- ◆ Repairs have been attempted by persons other than authorised repair agents or Black & Decker service staff.

To claim on the guarantee, you will need to submit proof of purchase to the seller or an authorised repair agent. You can check the location of your nearest authorised repair agent by contacting your local Black & Decker office at the address indicated in this manual. Alternatively, a list of authorised Black & Decker repair agents and full details of our after-sales service and contacts are available on the Internet at: [www.2helpU.com](http://www.2helpU.com).

### Australia

DeWALT Industrial Power Tool Company  
7 Clarice Road Tel. 03 9895 9200  
Box Hill, Victoria 3128 Fax 03 9899 7465

### New Zealand

Black & Decker Tel. 09 579 7600  
81 Hugo Johnson Drive Fax 09 579 8200  
Penrose, Auckland, New Zealand

### United Kingdom

Black & Decker Tel. 01753 511234  
210 Bath Road Fax 01753 551155  
Slough, Berkshire SL1 3YD Helpline 01753 574277



