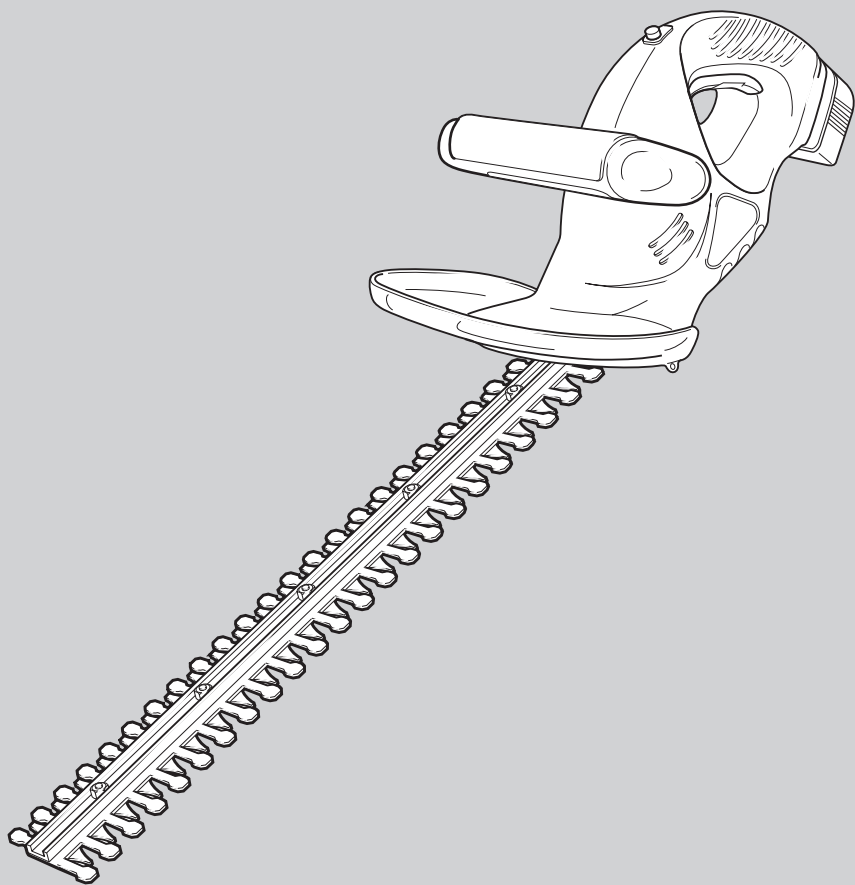


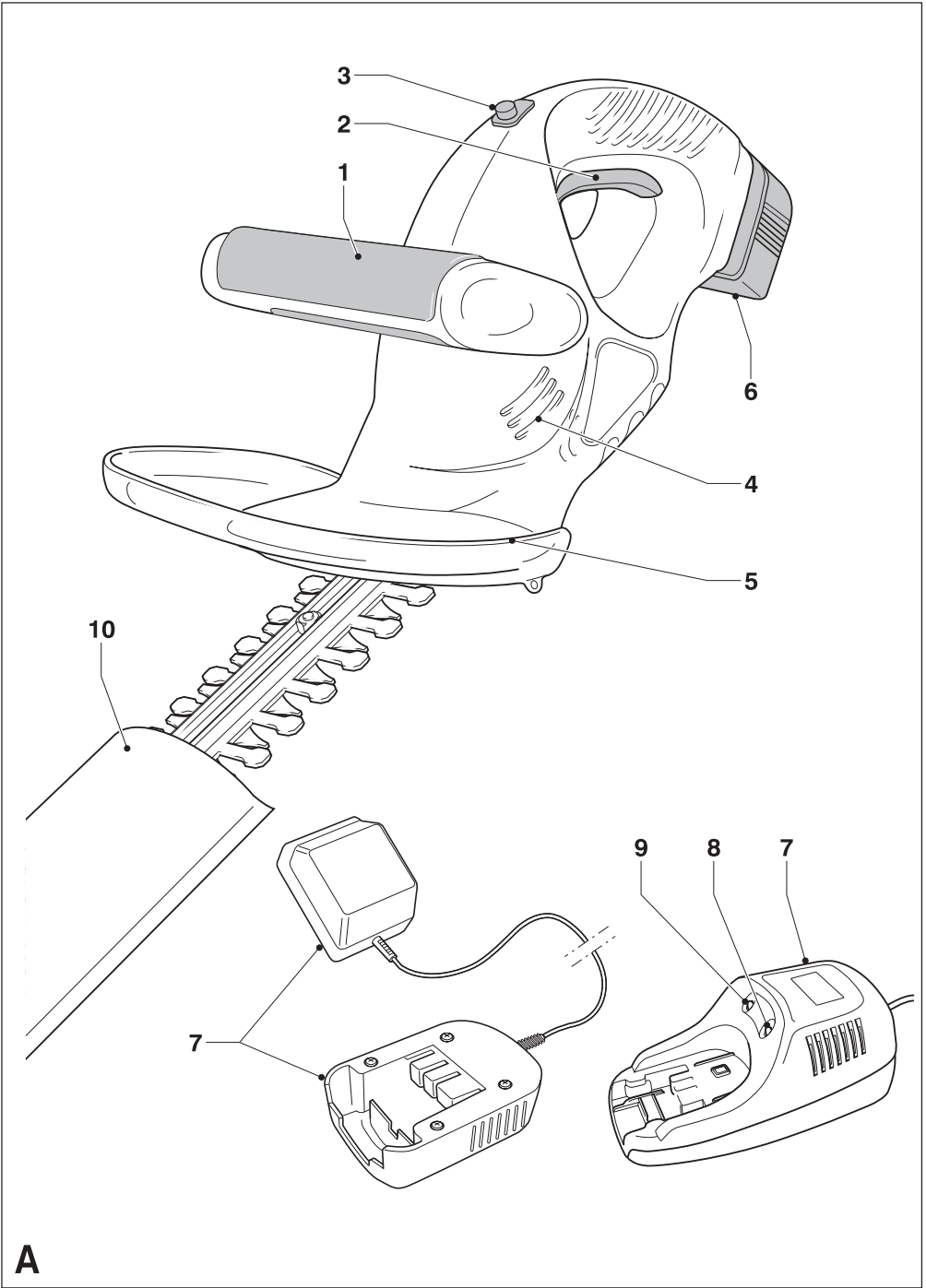
 **BLACK &
DECKER®**

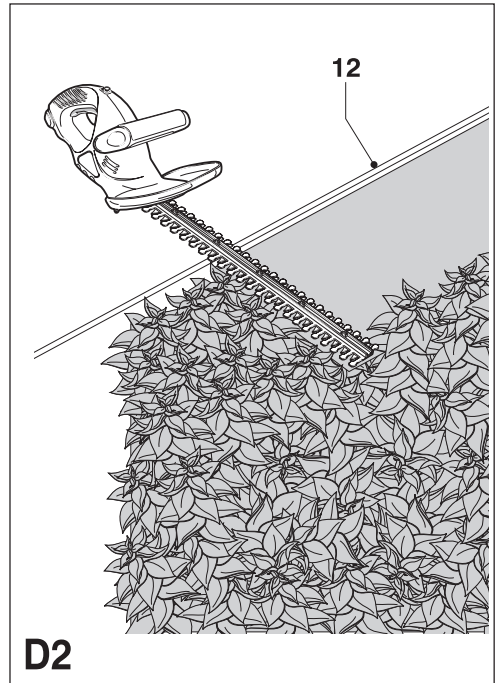
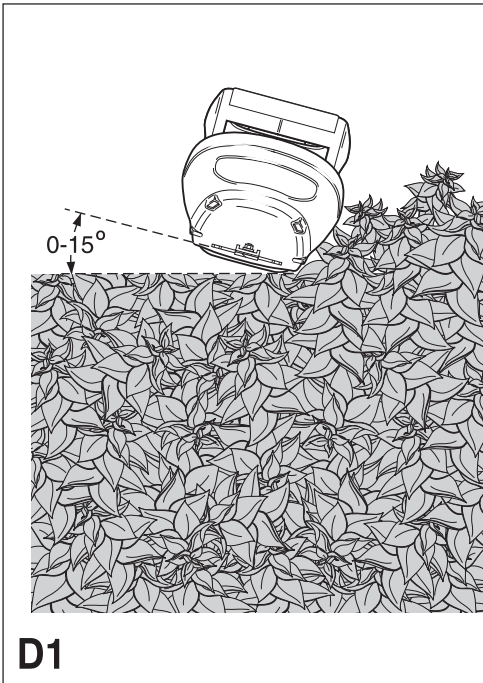
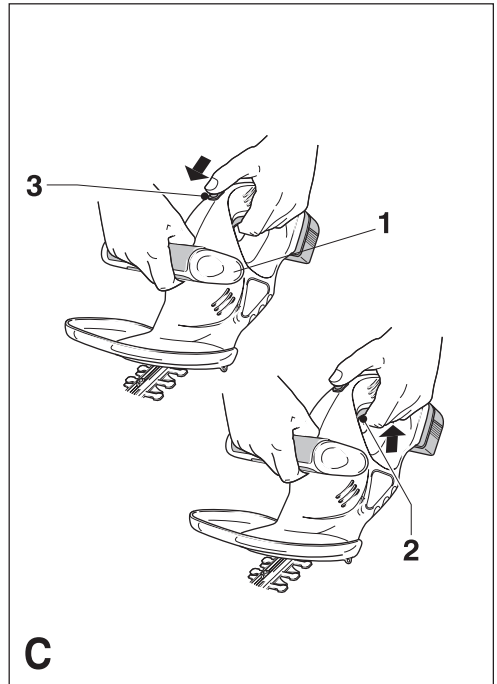
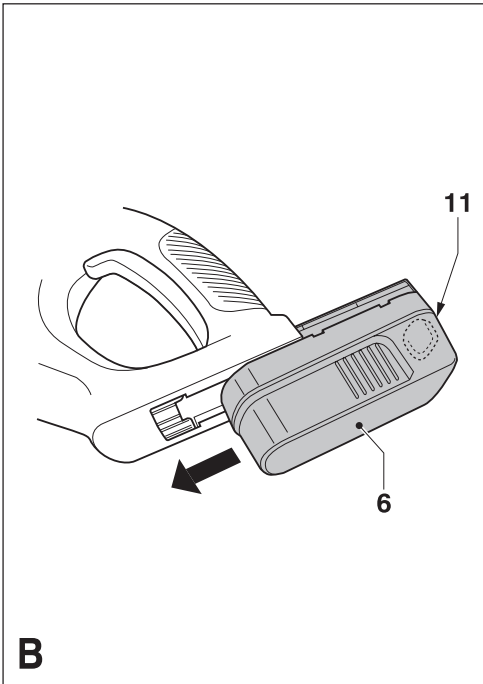


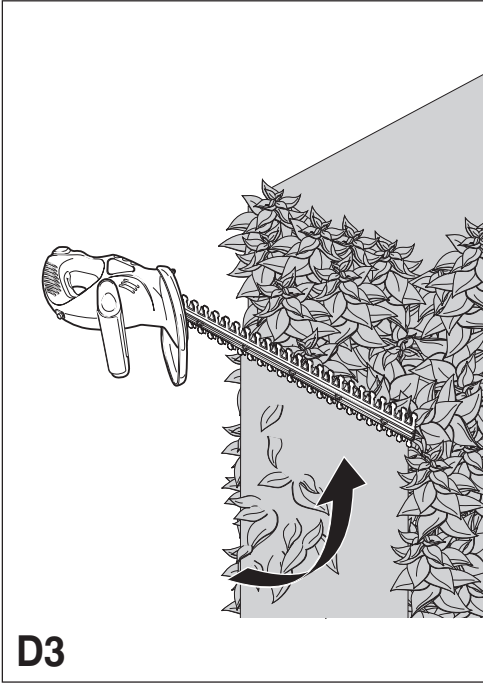
NHT518



Copyright Black & Decker







CORDLESS HEDGETRIMMER

NHT518

CONGRATULATIONS!

You have chosen a Black & Decker tool. Our aim is to provide quality tools at an affordable price. We hope that you will enjoy using this tool for many years.

EC DECLARATION OF CONFORMITY

CE NHT518
Black & Decker declares that these tools conform to:
98/37/EC, EN 60745

2000/14/EC, hedge trimmer, 1300 min-1, Annex V

Level of sound pressure, according to EN 60745:
Sound pressure (LpA) 91 dB(A), uncertainty (K) 4 dB(A)
Acoustic power (LwA) 95 dB(A), uncertainty (K) 4 dB(A)
Guaranteed acoustic power (LwA) 94 dB(A)

Vibration total values (triax vector sum) according to EN60745:

Vibration emission value (a_h) 1.1m/s²
uncertainty (K) 1.5m/s²



Colin Wills
Director of Engineering
BDCI, 4/F, 2 Dai Wang Street
Tai Po Industrial Estate
Tai Po NT, Hong Kong
1-7-2003

INTENDED USE

Your Black & Decker hedgetrimmer NHT518 has been designed for trimming hedges, shrubs and brambles. This tool is intended for consumer use only.

Your Black & Decker charger has been designed for charging Black & Decker batteries of the type supplied with this tool.

SAFETY INSTRUCTIONS

Warning symbols

The following symbols are used in this manual:



Denotes risk of personal injury, loss of life or damage to the tool in case of non-observance of the instructions in this manual.



Denotes risk of electric shock.



Read the manual prior to operation.



Fire hazard.

Know your tool



- ◆ **Warning!** Carefully observe the instructions in this manual to reduce the risk of personal injury or material damage.
- ◆ Read all of this manual carefully before operating the tool.
- ◆ Before operating the tool, make sure that you know how to switch the tool off in an emergency.
- ◆ Retain this manual for future reference.

General

1. Consider work area environment

Do not expose the tool to rain. Do not use the tool in damp or wet conditions. Keep the work area well lit. Do not use the tool where there is a risk of causing fire or explosion, i.e. in the presence of flammable liquids and gases. Keep the work area free from debris and obstacles.

2. Keep children away

Do not allow children, visitors or animals to come near the work area or to touch the tool.

3. Store idle tools

When not in use, tools and batteries should be stored in a dry place, out of reach of children.

4. Dress properly

Do not wear loose clothing or jewellery, as these can be caught in moving parts. Preferably wear working gloves and non-slip footwear when working outdoors. Wear protective hair covering to keep long hair out of the way.

5. Personal protection

Wear safety goggles and a face or dust mask whenever the operations may produce dust or flying particles. Wear ear protection whenever the sound level seems uncomfortable.

6. Do not overreach

Keep proper footing and balance at all times.

7. Stay alert

Watch what you are doing. Use common sense. Do not operate the tool when you are tired.

8. Use appropriate tool

The intended use is described in this instruction manual. Do not force small tools or attachments to do the job of a heavy-duty tool. The tool will do the job better and safer at the rate for which it was intended. The use of any accessory or attachment or performance of any operation with this tool other than those recommended in this instruction manual may present a risk of personal injury. Do not force the tool.

9. Maintain tools with care

Keep cutting tools sharp and clean for better and safer performance. Follow the instructions for maintenance and changing accessories. Keep handles and switches dry, clean and free from oil and grease.

10. Check for damaged parts

Before using the tool, carefully check it for damage to ensure that it will operate properly and perform its intended function. Check for misalignment and seizure of moving parts, breakage of parts and any other conditions that may affect its operation. Have any defective parts repaired or replaced by an authorised repair agent. Do not use the tool if any part is defective. Never attempt any repairs yourself.

11. Remove the battery

Remove the battery when the tool is not in use, before changing any parts of the tool, accessories or attachments and before servicing.

12. Avoid unintentional starting

Do not carry the tool with a finger on the on/off switch.

13. Do not abuse cord

Never carry the charger by its cord or pull it to disconnect from the socket. Keep the cord away from heat, oil and sharp edges.

Additional safety instructions for batteries and chargers

Batteries

- ◆ Never attempt to open for any reason.
- ◆ Do not expose to water.
- ◆ Do not store in locations where the temperature may exceed 40 °C.
- ◆ Charge only at ambient temperatures between 4 °C and 40 °C.
- ◆ Charge only using the charger provided with the tool (see technical data).
- ◆ Before charging, make sure that the battery is dry and clean.
- ◆ Use only the correct type of battery for the tool (see technical data).
- ◆ When disposing of batteries, follow the instructions given in the section "Protecting the environment".
- ◆ Under extreme conditions, battery leakage may occur. When you notice liquid on the battery, proceed as follows:
 - ◆ Carefully wipe the liquid off using a cloth. Avoid skin contact.

ENGLISH

♦ In case of skin or eye contact, follow the instructions below.



The battery fluid, a 25-30% solution of potassium hydroxide, can be harmful. In case of skin contact, immediately rinse with water. Neutralise with a mild acid such as lemon juice or vinegar. In case of eye contact, rinse abundantly with clean water for at least 10 minutes. Consult a physician.



Fire hazard! Avoid short-circuiting the contacts of a detached battery (e.g. when storing the battery in a toolbox).



Do not incinerate the battery.



Do not attempt to charge damaged batteries.

Chargers

- ♦ Use your Black & Decker charger only to charge batteries of the type supplied with your tool. Other batteries could burst, causing personal injury and damage.
- ♦ Never attempt to charge non-rechargeable batteries.
- ♦ Have defective cords replaced immediately.
- ♦ Do not expose to water.
- ♦ Do not open the charger.
- ♦ Do not probe the charger.



Intended for indoor use only.

Additional safety instructions for hedgetrimmers



Wear safety goggles when operating this tool.



Wear gloves when operating this tool.



Do not expose the tool to rain or high humidity.

- ♦ Do not carry the tool with your hands on the front handle switch or the trigger switch unless the battery has been removed.
- ♦ If you have not used a hedgetrimmer before, preferably seek practical instruction by an experienced user in addition to studying this manual.
- ♦ Never touch the blades while the tool is running.
- ♦ Never attempt to force the blades to come to a standstill.
- ♦ Do not put the tool down until the blades have come to a complete standstill.
- ♦ Regularly check the blades for damage and wear. Do not use the tool when the blades are damaged.
- ♦ Take care to avoid hard objects (e.g. metal wire, railings) when trimming. Should you accidentally hit any such object, immediately switch the tool off and check for any damage.
- ♦ Should the tool start to vibrate abnormally, immediately switch it off and check for any damage.
- ♦ If the tool stalls, immediately switch it off. Remove the battery before attempting to remove any obstructions.
- ♦ After use, place the blade sheath supplied over the blades. Store the tool, making sure that the blade is not exposed.
- ♦ Always ensure that all guards are fitted when using the tool. Never attempt to use an incomplete tool or a tool with unauthorised modifications.
- ♦ Never allow children to use the tool.
- ♦ Be aware of falling debris when cutting the higher sides of a hedge.
- ♦ While operating the machine always be sure of a safe and secure operating position especially when using steps or a ladder.

Additional safety instructions for Australia and New Zealand

- ♦ This appliance is not intended for use by young or infirm persons without supervision. Children must be supervised to ensure they do not play with the appliance.

- ◆ If the supply cord is damaged, it must be replaced by the manufacturer or an authorised Black & Decker Service Centre in order to avoid a hazard.

ELECTRICAL SAFETY

Your charger has been designed for a specific mains voltage. Always check that the mains voltage corresponds to the voltage on the rating plate.



Your charger is double insulated in accordance with EN 60335; therefore no earth wire is required.



Never use a light socket.

CARTON CONTENTS

The carton contains:

- 1 Cordless hedgetrimmer
- 1 Battery
- 1 Charger
- 1 Blade sheath
- 1 Instruction manual

- ◆ Carefully unpack all parts.

OVERVIEW (fig. A)

- 1. Front handle switch
- 2. Trigger switch
- 3. Lock-off button
- 4. Ventilation slots
- 5. Guard
- 6. Battery
- 7. Charger
- 8. Charging indicator
- 9. End of charge indicator
- 10. Blade sheath

ASSEMBLY



Before assembly, remove the battery from the tool.

Fitting and removing the battery (fig. B)

- ◆ To fit the battery (6), line it up with the receptacle on the tool.

- Slide the battery into the receptacle and push until the battery snaps into place.
- ◆ To remove the battery, push the release button (11) while at the same time pulling the battery out of the receptacle.

USE



Let the tool work at its own pace. Do not overload.

Charging the battery (fig. A)

The battery needs to be charged before first use and whenever it fails to produce sufficient power on jobs that were easily done before.

When charging the battery for the first time, or after prolonged storage, it will only accept an 80% charge.

After several charge and discharge cycles, the battery will attain full capacity. The battery may become warm while charging; this is normal and does not indicate a problem.



Do not charge the battery at ambient temperatures below 4 °C or above 40 °C. Recommended charging temperature: approx. 24 °C.

- ◆ To charge the battery (6), remove it from the tool and insert it into the charger (7). The battery will only fit into the charger in one way. Do not force. Be sure that the battery is fully seated in the charger.
- ◆ Plug in the charger.

3 hour charger

The battery will be fully charged in approx. 3 hours. It can be removed at any time or left in the connected charger indefinitely.

1 hour charger

- ◆ Check if the red charging indicator (8) lights up. If the green end of charge indicator (9) lights up now instead, the battery is too hot and cannot be charged. If this happens, remove the battery from the charger, let the battery cool down for approx. 1 hour and re-insert it.

ENGLISH

After approx. 1 hour of charging, the red charging indicator (8) will stop lighting and the green end of charge indicator (9) will light up. The battery is now fully charged.

♦Remove the battery from the charger.

Switching on and off (fig. C)

For your safety, this tool is equipped with a lock-off switching system. This system prevents starting the tool inadvertently. Only allow operate the tool while holding it with both hands.

Switching on

- ♦Grip the front handle (1) with one hand.
- ♦Push the lock-off button (3) forward using your thumb, then squeeze the trigger switch (2) with other hand.
- ♦Release the lock-off button.

Switching off

- ♦Release the trigger switch (2).



Never attempt to lock a switch in the on position.

Hints for optimum use

- ♦Slightly tilt the tool (up to 15° relative to the line of cut) so that the blade tips point slightly towards the hedge (fig. D1). This will cause the blades to cut more effectively.
- ♦Start by trimming the top of the hedge. Hold the tool at the desired angle and move it steadily along the line of cut (fig. D2). The double-sided blade allows you to cut in either direction.
- ♦In order to obtain a very straight cut, stretch a piece of string along the length of the hedge at the desired height. Use the string (12) as a guideline, cutting just above it (fig. D2).
- ♦In order to obtain flat sides, cut upwards with the growth (fig. D3). Younger stems move outwards when the blade cuts downwards, causing shallow patches in the hedge.
- ♦Take care to avoid any foreign objects. Especially avoid hard objects such as metal wire and railings, as these could damage the blades (fig. D4).
- ♦Regularly oil the blades.

- ♦Consider purchasing a spare battery to extend the running time of this tool. The catalogue number of the battery is found in the technical data chart below.

MAINTENANCE

Your Black & Decker tool has been designed to operate over a long period of time with a minimum of maintenance. Continuous satisfactory operation depends upon proper tool care and regular cleaning.

Your charger does not require any maintenance apart from regular cleaning.



- ♦Before performing any maintenance on the tool, remove the battery from the tool.
- ♦Unplug the charger before cleaning it.

- ♦After use, carefully clean the blades. After cleaning, apply a film of light machine oil to prevent the blades from rusting.
- ♦Regularly clean the ventilation slots in your tool and charger using a soft brush or dry cloth.
- ♦Regularly clean the motor housing using a damp cloth. Do not use any abrasive or solvent-based cleaner.

PROTECTING THE ENVIRONMENT



Black & Decker provides a facility for recycling Black & Decker products once they have reached the end of their working life. This service is provided free of charge. To take advantage of this service please return your product to any authorised repair agent who will collect them on our behalf.

You can check the location of your nearest authorised repair agent by contacting your local Black & Decker office at the address indicated in this manual. Alternatively, a list of authorised Black & Decker repair agents and full details of our after-sales service and contacts are available on the Internet at: www.2helpU.com.

Technical data

		NHT518	
Voltage	V_{DC}	18	
Blade strokes (no load)	min^{-1}	1,300	
Blade length	cm	50	
Blade gap	mm	16	
Blade brake time	s	< 0.5	
Weight (without battery)	kg	2.2	

Battery

Voltage	V_{DC}	18	
Capacity	Ah	1.7	
Weight	kg	0.8	

Charger

Input voltage	V_{AC}	230	
(Australia & New Zealand)	V_{AC}	240	
Approx. charging time	h	3	1
Weight	kg	0.4	1.2

GUARANTEE

Black & Decker is confident of the quality of its products and offers an outstanding guarantee. This guarantee statement is in addition to and in no way prejudices your statutory rights. The guarantee is valid within the territories of the Member States of the European Union and the European Free Trade Area.

If a Black & Decker product becomes defective due to faulty materials, workmanship or lack of conformity, within 48 months from the date of purchase, Black & Decker guarantees to replace defective parts, repair products subjected to fair wear and tear or replace such products to ensure minimum inconvenience to the customer unless:

- ♦The product has been used for trade, professional or hire purposes;
- ♦The product has been subjected to misuse or neglect;
- ♦The product has sustained damage through foreign objects, substances or accidents;
- ♦Repairs have been attempted by persons other than authorised repair agents or Black & Decker service staff.

To claim on the guarantee, you will need to submit proof of purchase to the seller or an authorised repair agent. You can check the location of your nearest authorised repair agent by contacting your local Black & Decker office at the address indicated in this manual. Alternatively, a list of authorised Black & Decker repair agents and full details of our after-sales service and contacts are available on the Internet at: www.2helpU.com.

OTHER OUTDOOR TOOLS

Black & Decker has a full range of Outdoor power tools that make life in the garden easy. If you would like further information on the following products, please contact our Service and Information Centre (see the address page towards the end of this manual) or your local Black & Decker retailer.

Blade and string trimmers	Chainsaws
Cordless shears	Cordless trimmers
Hedge trimmers	Lawnmowers
Lawnrakers	Leafblowers
Shredders	
Cordless brooms and shrubbers	

Not all products are available in all countries.

Australia

Black & Decker (Australia) Pty. Ltd. 20
Fletcher Road, Mooroolbark, Victoria,
Australia 3138
Tel. 03-8720 5100
Fax 03-9727 5940

New Zealand

Black & Decker
5 TeApunga Place
Mt Wellington, Auckland, New Zealand
Tel. 0800 339 258
Fax 64 9 259 1122