

If you have questions or comments, contact us.  
 Pour toute question ou tout commentaire, nous contacter.  
 Si tiene dudas o comentarios, contáctenos.

**1-800-4-DEWALT • www.dewalt.com**

INSTRUCTIVO DE OPERACIÓN, CENTROS DE SERVICIO Y PÓLIZA DE GARANTÍA. ADVERTENCIA: LEASE ESTE INSTRUCTIVO ANTES DE USAR EL PRODUCTO.

**INSTRUCTION MANUAL  
 GUIDE D'UTILISATION  
 MANUAL DE INSTRUCCIONES**



D25501, D25553 1-9/16" (40 mm) SDS Max® and Spine Combination Hammers; D25602, D25651 1-3/4" (45 mm) SDS Max® and Spine Combination Hammers; D25831, D25851 SDS Max® and Spine Chipping Hammers

Marteaux mixtes, SDS Max® et cannelures, 40 mm (1-9/16 po), D25501, D25553; Marteaux mixtes, SDS Max® et cannelures, 45 mm (1-3/4 po), D25602, D25651; Marteaux burineurs, SDS Max® et cannelures, D25831, D25851

Martillos de 1-9/16 pulg. (40 mm) SDS Max® y estriados de combinación D25501, D25553; Martillos de 1-3/4 pulg. (45 mm) SDS Max® y estriados de combinación D25602, D25651; Martillos de burilado SDS Max® y estriados D25831, D25851

DEWALT Industrial Tool Co., 701 Joppa Road, Baltimore, MD 21286

(MAY10) Part No. N030713 D25501, D25553, D25602, D25651, D25831, D25851  
 Copyright © 2010 DEWALT

The following are trademarks for one or more DEWALT power tools: the yellow and black color scheme; the "D" shaped air intake grill; the array of pyramids on the handgrip; the kit box configuration; and the array of lozenge-shaped humps on the surface of the tool.

**Definitions: Safety Guidelines**

The definitions below describe the level of severity for each signal word. Please read the manual and pay attention to these symbols.

**▲ DANGER:** Indicates an imminently hazardous situation which, if not avoided, will result in death or serious injury.

**▲ WARNING:** Indicates a potentially hazardous situation which, if not avoided, could result in death or serious injury.

**▲ CAUTION:** Indicates a potentially hazardous situation which, if not avoided, may result in minor or moderate injury.

**NOTICE:** indicates a practice not related to personal injury which, if not avoided, may result in property damage.

IF YOU HAVE ANY QUESTIONS OR COMMENTS ABOUT THIS OR ANY DEWALT TOOL, CALL US TOLL FREE AT: **1-800-4-DEWALT (1-800-433-9258)**.

**WARNING:** To reduce the risk of injury, read the instruction manual.

**General Power Tool Safety Warnings**

**WARNING!** Read all safety warnings and all instructions. Failure to follow the warnings and instructions may result in electric shock, fire and/or serious injury.

**SAVE ALL WARNINGS AND INSTRUCTIONS FOR FUTURE REFERENCE**

The term "power tool" in the warnings refers to your mains-operated (corded) power tool or battery-operated (cordless) power tool.

**1) WORK AREA SAFETY**

- a) **Keep work area clean and well lit.** Cluttered or dark areas invite accidents.
- b) **Do not operate power tools in explosive atmospheres, such as in the presence of flammable liquids, gases or dust.** Power tools create sparks which may ignite the dust or fumes.
- c) **Keep children and bystanders away while operating a power tool.** Distractions can cause you to lose control.

**2) ELECTRICAL SAFETY**

- a) **Power tool plugs must match the outlet. Never modify the plug in any way. Do not use any adapter plugs with earthed (grounded) power tools.** Unmodified plugs and matching outlets will reduce risk of electric shock.
- b) **Avoid body contact with earthed or grounded surfaces such as pipes, radiators, ranges and refrigerators.** There is an increased risk of electric shock if your body is earthed or grounded.
- c) **Do not expose power tools to rain or wet conditions.** Water entering a power tool will increase the risk of electric shock.
- d) **Do not abuse the cord. Never use the cord for carrying, pulling or unplugging the power tool. Keep cord away from heat, oil, sharp edges or moving parts.** Damaged or entangled cords increase the risk of electric shock.
- e) **When operating a power tool outdoors, use an extension cord suitable for outdoor use.** Use of a cord suitable for outdoor use reduces the risk of electric shock.
- f) **If operating a power tool in a damp location is unavoidable, use a ground fault circuit interrupter (GFCI) protected supply.** Use of a GFCI reduces the risk of electric shock.

**3) PERSONAL SAFETY**

- a) **Stay alert, watch what you are doing and use common sense when operating a power tool. Do not use a power tool while you are tired or under the influence of drugs, alcohol or medication.** A moment of inattention while operating power tools may result in serious personal injury.
- b) **Use personal protective equipment. Always wear eye protection.** Protective equipment such as dust mask, non-skid safety shoes, hard hat, or hearing protection used for appropriate conditions will reduce personal injuries.
- c) **Prevent unintentional starting. Ensure the switch is in the off position before connecting to power source and/or battery pack, picking up or carrying the tool.** Carrying power tools with your finger on the switch or energizing power tools that have the switch on invites accidents.
- d) **Remove any adjusting key or wrench before turning the power tool on.** A wrench or a key left attached to a rotating part of the power tool may result in personal injury.

e) **Do not overreach. Keep proper footing and balance at all times.** This enables better control of the power tool in unexpected situations.

f) **Dress properly. Do not wear loose clothing or jewelry. Keep your hair, clothing and gloves away from moving parts.** Loose clothes, jewelry or long hair can be caught in moving parts.

g) **If devices are provided for the connection of dust extraction and collection facilities, ensure these are connected and properly used.** Use of dust collection can reduce dust-related hazards.

**4) POWER TOOL USE AND CARE**

- a) **Do not force the power tool. Use the correct power tool for your application.** The correct power tool will do the job better and safer at the rate for which it was designed.
- b) **Do not use the power tool if the switch does not turn it on and off.** Any power tool that cannot be controlled with the switch is dangerous and must be repaired.
- c) **Disconnect the plug from the power source and/or the battery pack from the power tool before making any adjustments, changing accessories, or storing power tools.** Such preventive safety measures reduce the risk of starting the power tool accidentally.
- d) **Store idle power tools out of the reach of children and do not allow persons unfamiliar with the power tool or these instructions to operate the power tool.** Power tools are dangerous in the hands of untrained users.
- e) **Maintain power tools. Check for misalignment or binding of moving parts, breakage of parts and any other condition that may affect the power tool's operation. If damaged, have the power tool repaired before use.** Many accidents are caused by poorly maintained power tools.
- f) **Keep cutting tools sharp and clean.** Properly maintained cutting tools with sharp cutting edges are less likely to bind and are easier to control.
- g) **Use the power tool, accessories and tool bits etc., in accordance with these instructions taking into account the working conditions and the work to be performed.** Use of the power tool for operations different from those intended could result in a hazardous situation.

**5) SERVICE**

- a) **Have your power tool serviced by a qualified repair person using only identical replacement parts.** This will ensure that the safety of the power tool is maintained.

**Additional Safety Instructions for Rotary Hammers**

- **Wear ear protectors.** Exposure to noise can cause hearing loss.
- **Use auxiliary handle(s), if supplied with the tool.** Loss of control can cause personal injury.
- **Hold power tools by insulated gripping surfaces when performing an operation where the cutting tool may contact hidden wiring or its own cord.** Cutting accessory contacting a "live" wire may make exposed metal parts of the power tool "live" and could give the operator an electric shock.
- **Use clamps or other practical way to secure and support the workpiece to a stable platform.** Holding the work by hand or against your body is unstable and may lead to loss of control.
- **Wear safety goggles or other eye protection.** Hammering operations cause chips to fly. Flying particles can cause permanent eye damage. Wear a dust mask or respirator for applications that generate dust. Ear protection may be required for most applications.
- **Keep a firm grip on the tool at all times. Do not attempt to operate this tool without holding it with both hands.** It is recommended that the side handle be used at all times. Operating this tool with one hand will result in loss of control. Breaking through or encountering hard materials such as re-bar may be hazardous as well. Tighten the side handle securely before use.
- **Do not operate this tool for long periods of time.** Vibration caused by hammer action may be harmful to your hands and arms. Use gloves to provide extra cushion and limit exposure by taking frequent rest periods.
- **Do not recondition bits yourself.** Chisel reconditioning should be done by an authorized specialist. Improperly reconditioned chisels could cause injury.
- **Wear gloves when operating tool or changing bits.** Accessible metal parts on the tool and bits may get extremely hot during operation. Small bits of broken material may damage bare hands.
- **Never lay the tool down until the bit has come to a complete stop.** Moving bits could cause injury.
- **Do not strike jammed bits with a hammer to dislodge them.** Fragments of metal or material chips could dislodge and cause injury.
- **Slightly worn chisels can be resharpened by grinding.**  
**NOTE:** Do not overheat the bit (discoloration) while grinding a new edge. Badly worn chisels require reforging. Do not reharden and temper the chisel.
- **Keep the power cord away from the rotating bit. Do not wrap the cord around any part of your body.** An electric cord wrapped around a spinning bit may cause personal injury and loss of control.
- **Air vents often cover moving parts and should be avoided.** Loose clothes, jewelry or long hair can be caught in moving parts.
- **An extension cord must have adequate wire size (AWG or American Wire Gauge) for safety.** The smaller the gauge number of the wire, the greater the capacity of the cable, that is 16 gauge has more capacity than 18 gauge. An undersized cord will cause a drop in line voltage resulting in loss of power and overheating. When using more than one extension to make up the total length, be sure each individual extension contains at least the minimum wire size. The following table shows the correct size to use depending on cord length and nameplate ampere rating. If in doubt, use the next heavier gauge. The smaller the gauge number, the heavier the cord.

		Minimum Gauge for Cord Sets				
		Volts		Total Length of Cord in Feet (meters)		
Ampere Rating		120V	25 (7.6)	50 (15.2)	100 (30.5)	150 (45.7)
		240V	50 (15.2)	100 (30.5)	200 (61.0)	300 (91.4)
More Than	Not More Than	AWG				
0	6	18	16	16	14	
6	10	18	16	14	12	
10	12	16	16	14	12	
12	16	14	12	Not Recommended		

**▲ WARNING: ALWAYS** use safety glasses. Everyday eyeglasses are NOT safety glasses. Also use face or dust mask if cutting operation is dusty. ALWAYS WEAR CERTIFIED SAFETY EQUIPMENT:

- ANSI Z87.1 eye protection (CAN/CSA Z94.3),
- ANSI S12.6 (S3.19) hearing protection,
- NIOSH/OSHA/MSHA respiratory protection.

**▲ WARNING:** Some dust created by power sanding, sawing, grinding, drilling, and other construction activities contains chemicals known to cause cancer, birth defects or other reproductive harm. Some examples of these chemicals are:

- lead from lead-based paints,
- crystalline silica from bricks and cement and other masonry products, and
- arsenic and chromium from chemically-treated lumber.

Your risk from these exposures varies, depending on how often you do this type of work. To reduce your exposure to these chemicals: work in a well ventilated area, and work with approved safety equipment, such as those dust masks that are specially designed to filter out microscopic particles.

• **Avoid prolonged contact with dust from power sanding, sawing, grinding, drilling, and other construction activities. Wear protective clothing and wash exposed areas with soap and water.** Allowing dust to get into your mouth, eyes, or lay on the skin may promote absorption of harmful chemicals.

**▲ WARNING:** Use of this tool can generate and/or disburse dust, which may cause serious and permanent respiratory or other injury. Always use NIOSH/OSHA approved respiratory protection appropriate for the dust exposure. Direct particles away from face and body.

**▲ WARNING: Always use eye protection.** All users and bystanders must wear eye protection that conforms to ANSI Z87.1.

**▲ WARNING: Always wear proper personal hearing protection that conforms to ANSI S12.6 (S3.19) during use.** Under some conditions and duration of use, noise from this product may contribute to hearing loss.

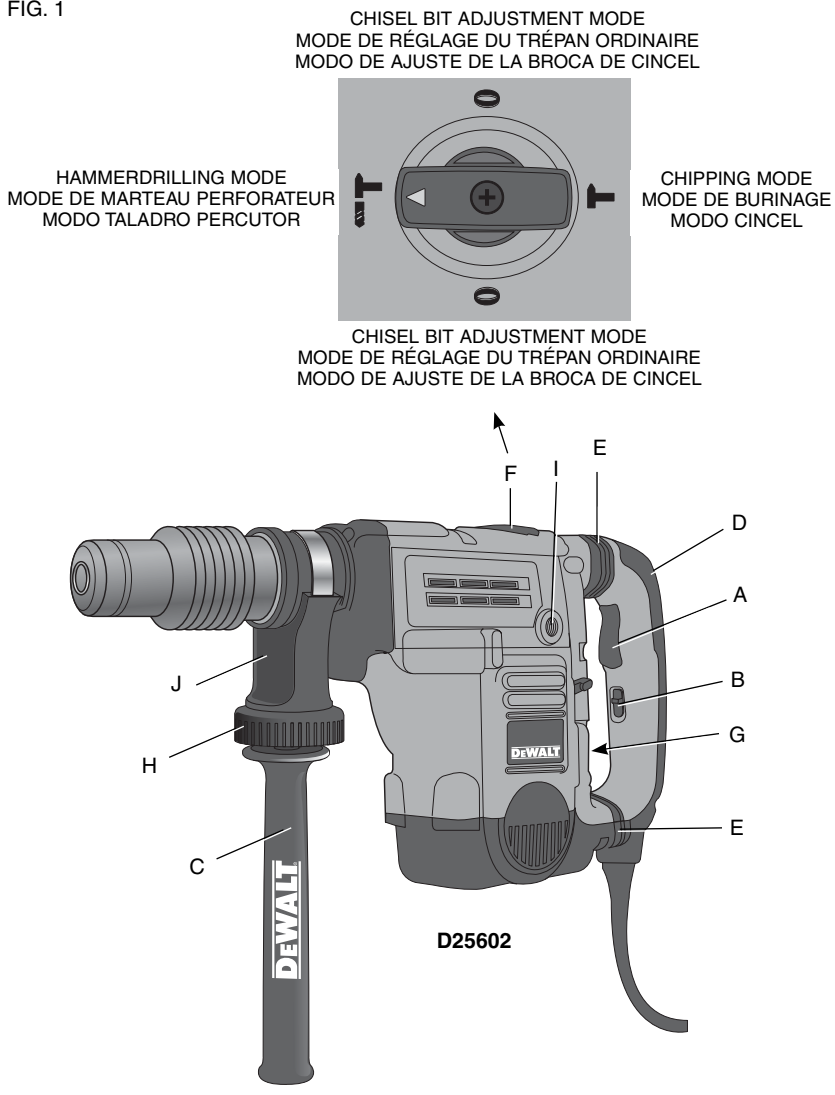
• The label on your tool may include the following symbols. The symbols and their definitions are as follows:

V..... volts	A..... amperes
Hz..... hertz	W..... watts
min..... minutes	~ ..... alternating current
== ..... direct current	⎓ ..... alternating or direct current
Ⓛ ..... Class I Construction (grounded)	n0 ..... no load speed
Ⓜ ..... Class II Construction (double insulated)	Ⓧ ..... earthing terminal
.../min ..... per minute	▲ ..... safety alert symbol
	BPM ..... beats per minute
	RPM ..... revolutions per minute

**Motor**

Your DEWALT tool is powered by a DEWALT-built motor. Be sure your power supply agrees with the nameplate markings. Voltage decrease of more than 10% will cause loss of power and overheating. All DEWALT tools are factory tested.

FIG. 1

**TO MOUNT IN FRONT POSITION (FIG. 2)**

1. Unscrew the side handle (C) and disassemble the side handle clamp (J).
2. Snap the steel ring (K) over the collar (L) behind the tool holder (M). Squeeze both ends of the steel ring together. Mount the bushing (N) and insert the pin (O).
3. Slide the side handle clamp (J) over the bushing and screw on the clamp knob (H)—do not tighten.
4. Screw the side handle (C) into the clamp knob (H) and tighten.
5. Rotate the side handle mounting assembly to the desired position. For hammerdrilling horizontally with a heavy drill bit, place the side handle assembly at an angle of approximately 20° to the tool for optimum control.
6. Lock the side handle mounting assembly in place by tightening the clamp knob (H).

**TO MOUNT IN REAR POSITION (FIG. 3)**

1. Unscrew the side handle (C) and remove it from the side handle mounting assembly. Leave the side handle mounting assembly in the front position.
2. Screw the side handle directly into one of the rear side handle positions (I) on either side of the tool.

**Active Vibration Control (Fig. 1)**

D25602, D25651, D25831, D25851

For best vibration control, hold the tool with one hand on the main handle (D) and the other hand on the side handle (C). Apply just enough pressure so the damping device on the main handle is approximately mid stroke. The hammer only needs enough pressure to engage the active vibration control. Applying too much pressure will not make the tool drill or chip faster and active vibration control will not engage.

**Inserting and Removing Spline Drive Accessories (Fig. 4)**

D25553, D25651, D25851

**▲ WARNING:** To reduce the risk of serious personal injury, turn tool off and disconnect tool from power source before making any adjustments or removing/installing attachments or accessories.

1. Insert the bit shank into the tool holder (M) as far as it will go. The groove on the chisel shank (Q) must be aligned with the symbol (R) on the toolholder. If inserted correctly, the locking sleeve (P) moves back to the end position and shows a closed lock symbol.
2. Pull on the bit to be sure that it is properly locked.
3. If the chisel groove is not aligned with the symbol, or is not inserted to the complete depth the lock symbol remains open.

To remove the bit, pull back the locking sleeve and pull the bit out.

**Inserting and Removing SDS Max® Accessories**

D25501, D25602, D25831

**▲ WARNING:** To reduce the risk of serious personal injury, turn tool off and disconnect tool from power source before making any adjustments or removing/installing attachments or accessories.

1. Pull back the locking sleeve (P) and insert the bit shank. The bit shank must be clean.
2. Turn the bit slightly until the sleeve snaps back into position.
3. Ensure the bit is properly engaged.

**NOTE:** The bit needs to move several centimeters in and out of the tool holder (M) when properly engaged.

4. To remove the bit, pull back the locking sleeve and pull the bit out.

**Complete Torque Control (Fig. 5)**

D25602, D25651

**NOTICE:** Always turn the tool off before changing torque control settings or damage to tool may result.

The Complete Torque Control (CTC) feature of this tool is designed to provide additional control with a two-stage clutch mechanism.

Clutch Setting 1 (S) is designed for most hammerdrilling applications and is designed to easily clutch out when the drill bit encounters re-bar or other foreign substances. Clutch Setting 2 (T) is designed for higher torque applications such as core-bits and deep hole hammerdrilling and is designed to clutch out at a higher torque threshold.

Move the torque control lever (U) to setting 1 or 2 as needed for application.

**NOTE:** Allow the motor housing to rotate a little while changing torque.

Each time the tool is plugged in, it will automatically default to clutch setting 1, the most sensitive setting.

**Electronic Speed and Impact Control (Fig. 5)**

D25602, D25651, D25831, D25851

The electronic speed and impact control allows the use of smaller drill bits without the risk of bit breakage, hammerdrilling into light and brittle materials without shattering and optimal tool control for precise chipping.

To set the control dial, turn the dial (G) to the desired level. The higher the number, the greater the speed and impact energy. Dial settings make the tool extremely adaptable for many different applications. The required setting depends on the bit size and hardness of material being drilled.

**Mode Selector (Fig. 1)**

**▲ CAUTION:** Never change the mode while the unit is running.

**▲ CAUTION:** Do not change to hammerdrill mode with chisel bit in tool holder. Personal injury and damage to tool may result.

The D25501, D25553, D25602, D25651 uses two operating modes. To select the required operating mode, rotate the mode selector (F) until the arrow points to the hammerdrilling or the chipping icon. The D25831 and D25851 use only the chipping mode.

**HAMMERDRILLING MODE (T)**

The tool simultaneously rotates and impacts the work. This mode is appropriate for all concrete and masonry operations.

**CHIPPING MODE (T)**

The spindle lock is engaged during chipping mode so the tool impacts the work without rotating. This mode is appropriate for light chipping, chiseling and demolition applications.

**NOTE:** In chipping mode, the hammerdrill can also be used as a lever to free a jammed drill bit.

**CHISEL BIT ADJUSTMENT (O)**

Turn the mode selector to one of the chisel bit adjustment icons to adjust the chisel to the desired position. There are 18 possible positions to set the angle of the chisel. After finding the desired position, slightly maneuver the chisel bit back and forth to ensure the chisel is properly engaged.

**Power Indicator Lights (Fig. 5)**

The yellow brush wear indicator LED (V) lights up when the carbon brushes are nearly worn out indicating that the tool needs servicing within the next 8 hours of use.

The red indicator LED (W) lights up if the lock-on slider (B) is used in any mode except the chipping mode.

The red indicator LED (W) flashes if there is a fault with the tool or if the brushes are completely worn (refer to **Brushes** under **Maintenance**).

**OPERATION**

**▲ WARNING:** To reduce the risk of serious personal injury, turn tool off and disconnect tool from power source before making any adjustments or removing/installing attachments or accessories.

**▲ WARNING:** To reduce the risk of personal injury, ALWAYS ensure workpiece is anchored or clamped firmly. If hammerdrilling thin material, use a wood "back-up" block to prevent damage to the material.

**▲ WARNING:** To reduce the risk of personal injury, ALWAYS operate the tool with the side handle properly installed and securely tightened. Failure to do so may result in the side handle slipping during tool operation and subsequent loss of control. Hold tool with both hands to maximize control.

**Proper Hand Position (Fig. 1)**

**▲ WARNING:** To reduce the risk of serious personal injury, ALWAYS use proper hand position as shown.

**▲ WARNING:** To reduce the risk of serious personal injury, ALWAYS hold securely in anticipation of a sudden reaction.

Proper hand position requires one hand on the side handle (C), with the other hand on the main handle (D).

**NOTE:** Operating temperature of this tool is 19° to 104° F (-7 to +40° C). Using the tool outside of this temperature range will decrease the life of the tool.

**Trigger Switch (Fig. 1)**

To turn the tool on, depress the trigger switch (A). To stop the tool, release the trigger switch.

D25602, D25651

In chipping mode only, lock the trigger switch on, push the lock-on slider (B) upwards while depressing the trigger switch.

To deactivate the lock-on slider, depress the trigger switch once then release.

The lock-on slider may only be activated in chipping mode. The machine will stop running when trying to engage the lock-on slider in hammerdrilling mode. The motor will stop if the lock-on slider is activated when changing from chisel mode into hammerdrilling mode.

D25831, D25851

For continuous operation, move the toggle switch to the on position. To stop continuous operation, move the toggle switch to the off position.

FIG. 2

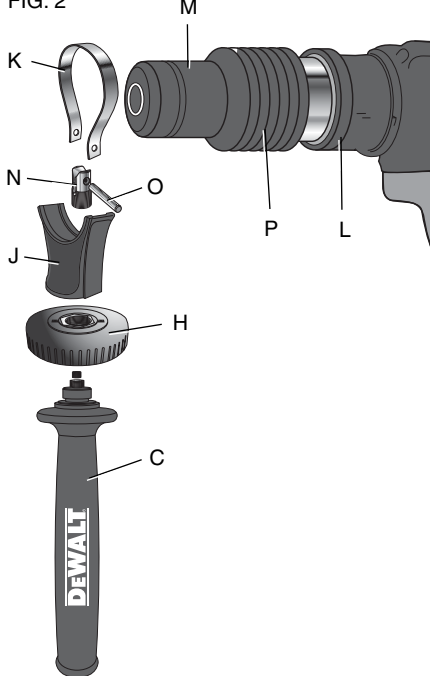


FIG. 3

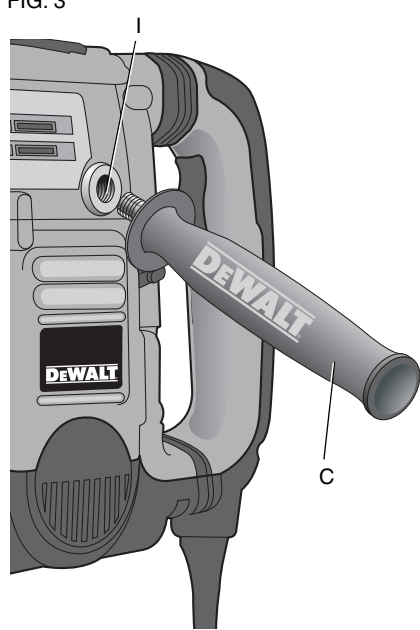


FIG. 4

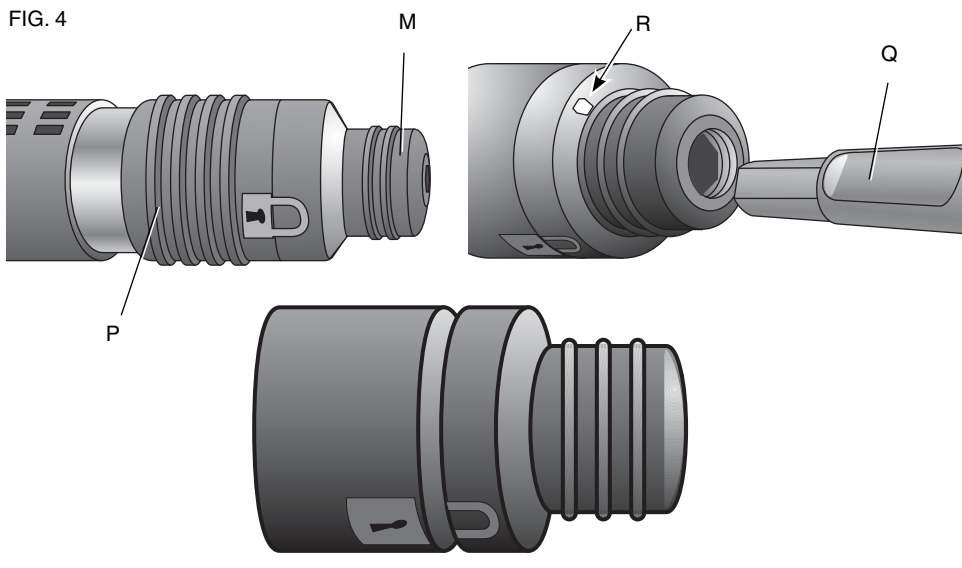
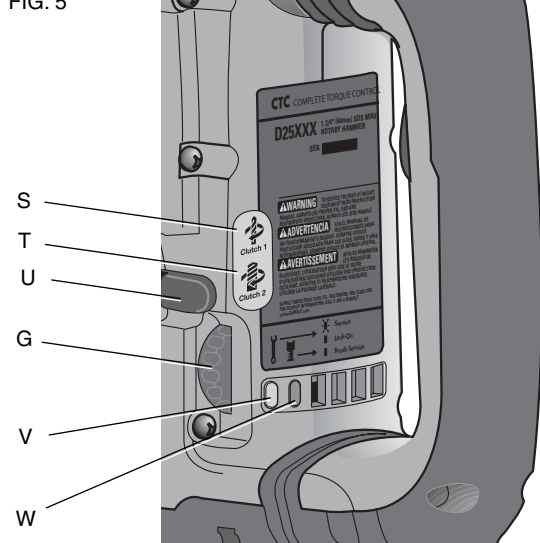


FIG. 5

**COMPONENTS (Fig. 1)**

**▲ WARNING:** Never modify the power tool or any part of it. Damage or personal injury could result.

- |                             |   |
|-----------------------------|---|
| A. Trigger switch           | F. Mode selector                            |
| B. Lock-on slider           | G. Electronic Speed and impact control dial |
| C. Side handle              | H. Clamp knob                               |
| D. Main handle              | I. Rear side handle position                |
| E. Active vibration control |   |

**INTENDED USE**

These heavy-duty rotary hammers have been designed for professional hammerdrilling, and chipping at various work sites (i.e., construction sites). **DO NOT** use under wet conditions or in presence of flammable liquids or gases.

These heavy-duty rotary hammers are professional power tools. **DO NOT** let children come into contact with the tool. Supervision is required when inexperienced operators use this tool.

**ASSEMBLY AND ADJUSTMENTS****Side Handle (Fig. 1)**

**▲ WARNING:** To reduce the risk of personal injury, ALWAYS operate the tool with the side handle properly installed and securely tightened. Failure to do so may result in the side handle slipping during tool operation and subsequent loss of control. Hold tool with both hands to maximize control.

The side handle clamps to the front barrel (collar) and may be rotated 360° to permit right or left-hand use. For operating convenience, the side handle can be installed in front or rear positions.

## SOFT START FEATURE

The soft start feature allows you to build up speed slowly, thus preventing the drill bit from walking off the intended hole position when starting. The soft start feature also reduces the immediate torque reaction transmitted to the gearing and the operator if the hammer is started with the drill bit in an existing hole.

## Hammerdrilling with a Solid Bit

D25501, D25553, D25602, D25651

**NOTE:** The D25831, D25851 have only chipping modes with no hammerdrilling capability.

1. Set the mode selector (F) to hammerdrilling mode.
2. For D25602 and D25651 only, move the torque control lever (U) to Setting 1 (S).
3. Set the speed and impact control dial (G).
4. Insert the appropriate drill bit.
5. Adjust the side handle (front or rear position) (C).
6. Mark the spot where the hole is to be drilled.
7. Place the drill bit on that mark and depress the trigger switch (A).
8. Apply only enough pressure to engage active vibration control (refer to **Active Vibration Control**).
9. To stop the tool, release the trigger switch. Always turn the tool off when work is finished and before unplugging.

## Hammerdrilling with a Core Bit

D25501, D25553, D25602, D25651

**⚠ CAUTION:** Do not use a core bit for hammerdrilling wood. Personal injury and damage to tool may result.

**NOTE:** The D25831, D25851 have only chipping modes with no hammerdrilling capability.

1. Set the mode selector (F) to hammerdrilling mode.
2. For D25602 and D25651 only, move the torque control lever (U) to Setting 2 (T).
3. Turn the speed and impact control dial (G) to the maximum speed (level 7).
4. Adjust the side handle (front or rear position) (C).
5. Assemble the centering bit and adapter shank into core bit.
6. Mark the spot where the hole is to be drilled.
7. Place the centering bit on that mark and depress the trigger switch (A).

**NOTE:** Some core drills require the removal of centering bit after about 1 cm of penetration. If so, remove and continue hammerdrilling.

8. When hammerdrilling through a structure thicker than the depth of the core bit, break away the round cylinder of concrete or core inside the bit at regular intervals. To avoid unwanted breaking away of concrete around the hole, first drill a hole the diameter of the centering bit completely through the structure. Then drill the cored hole halfway from each side of the structure.
9. To stop the tool, release the trigger switch. Always turn the tool off when work is finished and before unplugging.

## Chipping

D25831, D25851

1. Set the mode selector (F) to chipping mode.
2. Set the impact control dial (G) to desired setting (refer to **Electronic Speed and Impact Control**).
3. Insert the appropriate chisel and rotate it by hand to lock it into the desired position.  
**NOTE:** For SDS Max® models, only use SDS Max® bits.
4. Adjust the side handle (front or rear position) (C).
5. Depress the trigger switch (A).
6. Apply only enough pressure to engage active vibration control (refer to **Active Vibration Control**).
7. To stop the tool, release the trigger switch. Always turn the tool off when work is finished and before unplugging.

## MAINTENANCE

**⚠ WARNING:** To reduce the risk of serious personal injury, turn tool off and disconnect tool from power source before making any adjustments or removing/installing attachments or accessories.

## Cleaning

**⚠ WARNING:** Blow dirt and dust out of all air vents with dry air at least once a week. Wear proper ANSI Z87.1 (CAN/CSA Z94.3) eye protection and proper NIOSH/OSHA/MSHA respiratory protection when performing this.

**⚠ WARNING:** Never use solvents or other harsh chemicals for cleaning the non-metallic parts of the tool. These chemicals may weaken the plastic materials used in these parts. Use a cloth dampened only with water and mild soap. Never let any liquid get inside the tool; never immerse any part of the tool into a liquid.

## Lubrication

Your tool was properly lubricated before leaving the factory. In from two to six months, depending upon use, take or send your tool to an authorized service center for a complete cleaning, inspection and lubrication. Tools used constantly on production jobs will need relubrication more often. Also, tools "out of service" for long periods should be relubricated before being put back to work.

## Accessories

**⚠ WARNING:** Since accessories, other than those offered by DEWALT, have not been tested with this product, use of such accessories with this tool could be hazardous. To reduce the risk of injury, only DEWALT, recommended accessories should be used with this product.

Recommended accessories for use with your tool are available at extra cost from your local dealer or authorized service center. If you need assistance in locating any accessory, please contact DEWALT Industrial Tool Co., 701 East Joppa Road, Baltimore, MD 21286, call 1-800-4-DEWALT (1-800-433-9258) or visit our website [www.dewalt.com](http://www.dewalt.com).

	MAXIMUM CAPACITY					
	D25501	D25553	D25602	D25651	D25831	D25851
Concrete	1-9/16" (40 mm)	1-9/16" (40 mm)	1-3/4" (45 mm)	1-3/4" (45 mm)	–	–
RPM	490	490	210–415	210–415	–	–
No load BPM	3300	3300	1430–2840	1430–2840	1430–2840	1430–2840

## Repairs

To assure product SAFETY and RELIABILITY, repairs, maintenance and adjustments (including brush inspection and replacement) should be performed by a DEWALT factory service center, a DEWALT authorized service center or other qualified service personnel. Always use identical replacement parts.

## Three Year Limited Warranty

DEWALT will repair, without charge, any defects due to faulty materials or workmanship for three years from the date of purchase. This warranty does not cover part failure due to normal wear or tool abuse. For further detail of warranty coverage and warranty repair information, visit [www.dewalt.com](http://www.dewalt.com) or call 1-800-4-DEWALT (1-800-433-9258). This warranty does not apply to accessories or damage caused where repairs have been made or attempted by others. This warranty gives you specific legal rights and you may have other rights which vary in certain states or provinces.

In addition to the warranty, DEWALT tools are covered by our:

**2 YEARS FREE SERVICE**  
D25602, D25651, D25831, D25851

DEWALT will maintain the tool and replace worn parts caused by normal use, for free, any time during the first two years after purchase.

**1 YEAR FREE SERVICE**  
D25501, D25553

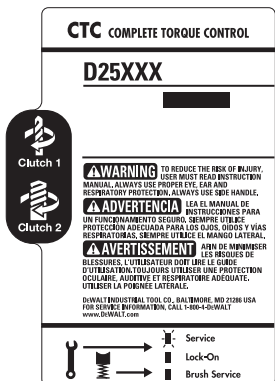
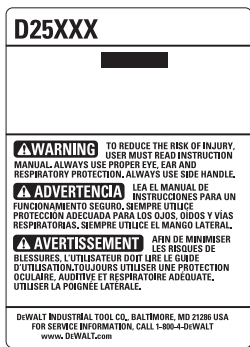
DEWALT will maintain the tool and replace worn parts caused by normal use, for free, any time during the first year after purchase.

**90 DAY MONEY BACK GUARANTEE**

If you are not completely satisfied with the performance of your DEWALT Power Tool, Laser, or Nailer for any reason, you can return it within 90 days from the date of purchase with a receipt for a full refund – no questions asked.

**LATIN AMERICA:** This warranty does not apply to products sold in Latin America. For products sold in Latin America, see country specific warranty information contained either in the packaging, call the local company or see website for warranty information.

**FREE WARNING LABEL REPLACEMENT:** If your warning labels become illegible or are missing, call 1-800-4-DEWALT for a free replacement.



## Définitions : lignes directrices en matière de sécurité

Les définitions ci-dessous décrivent le niveau de danger pour chaque mot-indicateur employé. Veuillez lire le mode d'emploi et porter une attention particulière à ces symboles.

**⚠ DANGER :** indique une situation dangereuse imminente qui, si elle n'est pas évitée, causera la mort ou des blessures graves.

**⚠ AVERTISSEMENT :** indique une situation potentiellement dangereuse qui, si elle n'est pas évitée, pourrait se solder par un décès ou des blessures graves.

**⚠ ATTENTION :** indique une situation potentiellement dangereuse qui, si elle n'est pas évitée pourrait se solder par des blessures mineures ou modérées.

**AVIS :** indique une pratique ne posant aucun risque de dommages corporels mais qui par contre, si rien n'est fait pour l'éviter, pourrait poser des risques de dommages matériels.

POUR TOUTE QUESTION OU TOUT COMMENTAIRE RELATIF À CET OUTIL OU À PROPOS DE TOUT AUTRE OUTIL DEWALT, COMPOSER SANS FRAIS LE : 1-800-4-DEWALT (1-800-433-9258).

**⚠ AVERTISSEMENT :** afin de réduire le risque de blessures, lire le mode d'emploi de l'outil.

## Avvertissements de sécurité généraux pour les outils électriques

**⚠ AVERTISSEMENT!** Lire tous les avertissements de sécurité et les directives. Le non-respect des avertissements et des directives pourrait se solder par un choc électrique, un incendie et/ou une blessure grave.

## CONSERVER TOUS LES AVERTISSEMENTS ET TOUTES LES DIRECTIVES POUR UN USAGE ULTÉRIEUR

Le terme « outil électrique » cité dans les avertissements se rapporte à votre outil électrique à alimentation sur secteur (avec fil) ou par piles (sans fil).

### 1) SÉCURITÉ DU LIEU DE TRAVAIL

- a) **Tenir l'aire de travail propre et bien éclairée.** Les lieux encombrés ou sombres sont propices aux accidents.
- b) **Ne pas faire fonctionner d'outils électriques dans un milieu déflamant, tel qu'en présence de liquides, de gaz ou de poussières inflammables.** Les outils électriques produisent des étincelles qui pourraient enflammer la poussière ou les vapeurs.
- c) **Éloigner les enfants et les personnes à proximité pendant l'utilisation d'un outil électrique.** Une distraction pourrait en faire perdre la maîtrise à l'utilisateur.

### 2) SÉCURITÉ EN MATIÈRE D'ÉLECTRICITÉ

- a) **Les fiches des outils électriques doivent correspondre à la prise. Ne jamais modifier la fiche d'aucune façon. Ne jamais utiliser de fiche d'adaptation avec un outil électrique mis à la terre.** Le risque de choc électrique sera réduit par l'utilisation de fiches non modifiées correspondant à la prise.
- b) **Éviter tout contact physique avec des surfaces mises à la terre comme des tuyaux, des radiateurs, des cuisinières et des réfrigérateurs.** Le risque de choc électrique est plus élevé si votre corps est mis à la terre.
- c) **Ne pas exposer les outils électriques à la pluie ou à l'humidité.** La pénétration de l'eau dans un outil électrique augmente le risque de choc électrique.
- d) **Ne pas utiliser le cordon de façon abusive. Ne jamais utiliser le cordon pour transporter, tirer ou débrancher un outil électrique. Tenir le cordon éloigné de la chaleur, de l'huile, des bords tranchants et des pièces mobiles.** Les cordons endommagés ou enchevêtrés augmentent les risques de choc électrique.
- e) **Pour l'utilisation d'un outil électrique à l'extérieur, se servir d'une rallonge convenant à cette application.** L'utilisation d'une rallonge conçue pour l'extérieur réduira les risques de choc électrique.
- f) **S'il est impossible d'éviter l'utilisation d'un outil électrique dans un endroit humide, brancher l'outil dans une prise ou sur un circuit d'alimentation dotés d'un disjoncteur de fuite à la terre (GFCI).** L'utilisation de ce type de disjoncteur réduit les risques de choc électrique.

### 3) SÉCURITÉ PERSONNELLE

- a) **Être vigilant, surveiller le travail effectué et faire preuve de jugement lorsqu'un outil électrique est utilisé. Ne pas utiliser d'outil électrique en cas de fatigue ou sous l'influence de drogues, d'alcool ou de médicaments.** Un simple moment d'inattention en utilisant un outil électrique peut entraîner des blessures corporelles graves.
- b) **Utiliser des équipements de protection individuelle. Toujours porter une protection oculaire.** L'utilisation d'équipements de protection comme un masque antipoussière, des chaussures antidérapantes, un casque de sécurité ou des protecteurs auditifs lorsque la situation le requiert réduira les risques de blessures corporelles.
- c) **Empêcher les démarrages intempestifs. S'assurer que l'interrupteur se trouve à la position d'arrêt avant de relier l'outil à une source d'alimentation et/ou d'insérer un bloc-piles, de ramasser ou de transporter l'outil.** Transporter un outil électrique alors que le doigt repose sur l'interrupteur ou brancher un outil électrique dont l'interrupteur est à la position de marche risque de provoquer un accident.
- d) **Retirer toute clé de réglage ou clé avant de démarrer l'outil.** Une clé ou une clé de réglage attachée à une partie pivotante de l'outil électrique peut provoquer des blessures corporelles.
- e) **Ne pas trop tendre les bras. Conserver son équilibre en tout temps.** Cela permet de mieux maîtriser l'outil électrique dans les situations imprévues.
- f) **S'habiller de manière appropriée. Ne pas porter de vêtements amples ni de bijoux. Garder les cheveux, les vêtements et les gants à l'écart des pièces mobiles.** Les vêtements amples, les bijoux ou les cheveux longs risquent de rester coincés dans les pièces mobiles.
- g) **Si des composants sont fournis pour le raccordement de dispositifs de dépoussiérage et de ramassage, s'assurer que ceux-ci sont bien raccordés et utilisés.** L'utilisation d'un dispositif de dépoussiérage peut réduire les dangers engendrés par les poussières.

### 4) UTILISATION ET ENTRETIEN D'UN OUTIL ÉLECTRIQUE

- a) **Ne pas forcer un outil électrique. Utiliser l'outil électrique approprié à l'application.** L'outil électrique approprié effectuera un meilleur travail, de façon plus sûre et à la vitesse pour laquelle il a été conçu.
- b) **Ne pas utiliser un outil électrique dont l'interrupteur est défectueux.** Tout outil électrique dont l'interrupteur est défectueux est dangereux et doit être réparé.
- c) **Débrancher la fiche de la source d'alimentation et/ou du bloc-piles de l'outil électrique avant de faire tout réglage ou changement d'accessoire ou avant de ranger l'outil.** Ces mesures préventives réduisent les risques de démarrage accidentel de l'outil électrique.
- d) **Ranger les outils électriques hors de la portée des enfants et ne permettre à aucune personne n'étant pas familière avec un outil électrique ou son mode d'emploi d'utiliser cet outil.** Les outils électriques deviennent dangereux entre les mains d'utilisateurs inexpérimentés.
- e) **Entretien des outils électriques. Vérifier si les pièces mobiles sont mal alignées ou coincées, si des pièces sont brisées ou présentent toute autre condition susceptible de nuire au bon fonctionnement de l'outil électrique. En cas de dommage, faire réparer l'outil électrique avant toute nouvelle utilisation.** Beaucoup d'accidents sont causés par des outils électriques mal entretenus.
- f) **S'assurer que les outils de coupe sont aiguisés et propres.** Les outils de coupe bien entretenus et affûtés sont moins susceptibles de se coincer et sont plus faciles à maîtriser.
- g) **Utiliser l'outil électrique, les accessoires, les forets, etc. conformément aux présentes directives en tenant compte des conditions de travail et du travail à effectuer.** L'utilisation d'un outil électrique pour toute opération autre que celle pour laquelle il a été conçu est dangereuse.

### 5) RÉPARATION

- a) **Faire réparer l'outil électrique par un réparateur professionnel en n'utilisant que des pièces de rechange identiques.** Cela permettra de maintenir une utilisation sécuritaire de l'outil électrique.

## Consignes de sécurité additionnelles propres aux marteaux rotatifs

- **Porter un dispositif de protection auditif.** Le bruit en résultant pourrait occasionner une perte de l'acuité auditive.
- **Utiliser la/les poignée(s) auxiliaire(s) si fournie(s) avec l'outil.** Une perte de contrôle de l'outil pourrait occasionner des dommages corporels.
- **Tenir l'outil par les surfaces isolées prévues à cet effet pendant toute utilisation où l'organe de coupe pourrait entrer en contact avec des fils électriques cachés ou son propre cordon.** Tout contact de l'organe de coupe avec le fil sous tension mettra les parties métalliques exposées de l'outil sous tension et électrocutera l'utilisateur.
- **Utiliser des serre-joints, ou tout autre moyen, pour fixer et immobiliser le matériau sur une surface stable.** Tenir la pièce à la main ou contre son corps offre une stabilité insuffisante qui pourrait vous en faire perdre le contrôle.
- **Porter des lunettes de protection ou toute autre protection oculaire.** Le martelage pourrait faire voltiger des éclats. Ces particules volantes pourraient occasionner des dommages oculaires permanents. Porter un masque anti-poussières ou un appareil de protection des voies respiratoires pour toute application productrice de poussières. Une protection auditive peut s'avérer nécessaire pour la plupart des applications.







