

DEWALT[®]

**XR FLEX
VOLT™**
LI-ION

WWW.DEWALT.com

DCB500

Fig. A

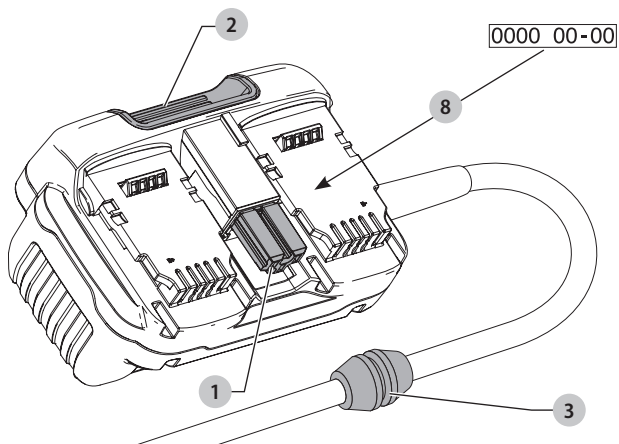


Fig. B

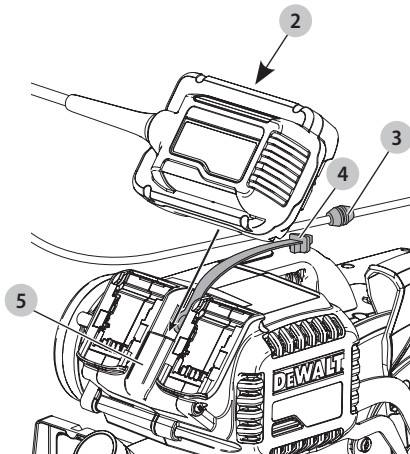


Fig. C

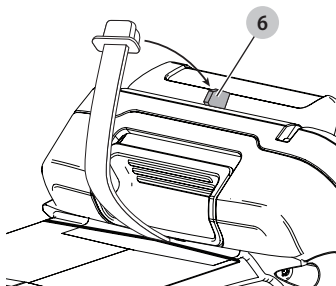
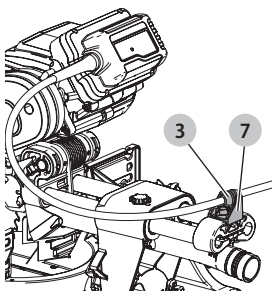


Fig. D



CORDED POWER SUPPLY

DCB500

Congratulations!

You have chosen a DeWALT tool. Years of experience, thorough product development and innovation make DeWALT one of the most reliable partners for professional power tool users.

Technical Data

	DCB500-QS	DCB500-GB	DCB500-LX	DCB500-XE
Power source	AC	AC	AC	AC
Type	1	1	1	1
Max. current	A 16	13	16	10
Mains voltage	V _{AC} 230	230	115	230
Weight	kg 1.1	1.1	1.1	1.1

Definitions: Safety Guidelines

The definitions below describe the level of severity for each signal word. Please read the manual and pay attention to these symbols.



DANGER: Indicates an imminently hazardous situation which, if not avoided, **will** result in **death or serious injury**.



WARNING: Indicates a potentially hazardous situation which, if not avoided, **could** result in **death or serious injury**.



CAUTION: Indicates a potentially hazardous situation which, if not avoided, **may** result in **minor or moderate injury**.

NOTICE: Indicates a practice **not related to personal injury** which, if not avoided, **may** result in **property damage**.



Denotes risk of electric shock.








Denotes risk of fire.



WARNING: Read all safety warnings and all instructions. Failure to follow the warnings and instructions may result in electric shock, fire and/or serious injury.

**SAVE ALL WARNINGS AND INSTRUCTIONS
FOR FUTURE REFERENCE**

Safety Rules for the Corded Power Supply

-  **DANGER: High voltage present inside the unit. Do not probe with conductive objects.** *Danger of electric shock or electrocution.*
 -  **DANGER: If the corded power supply case is cracked or damaged, do not plug into AC outlet or insert into tool.** *Return the unit to an authorized DeWALT service center. Danger of electric shock or electrocution.*
 -  **DANGER: The corded power supply and power tool may produce a small magnetic field. Users with cardiac pacemakers should keep the corded power supply and power tool at least 15 cm away from implanted device. Users should immediately stop using this product, remove power, and call physician if any physical effects are felt.**
 -  **WARNING: We recommend the use of a residual current device with a residual current rating of 30mA or less.**
 -  **WARNING: Review and follow all instructions and warnings contained within the tool's instruction manual connected with the corded power supply manual.** *Failure to follow the warnings and instructions may result in electric shock, fire and/or serious injury.*
- Do not use under wet conditions or in presence of flammable liquids or gases.
 - Do not expose corded power supply to rain or snow.
 - Use of an attachment not recommended or sold by DeWALT may result in a risk of fire, electric shock, or injury to persons.
 - This corded power supply is not intended for any uses other than powering DeWALT 2x 54V FLEXVOLT™ tools. Any other uses may result in risk of fire, electric shock or electrocution.
 - **Pull by the plug rather than the cord when disconnecting the corded power supply.** *This will reduce the risk of damage to the electric plug and cord.*
 - **Make sure that the cord is located so that it will not be stepped on, tripped over or otherwise subjected to damage or stress.**
 - **Do not use an extension cord unless it is absolutely necessary.** *Use of improper extension cord could result in risk of fire, electric shock or electrocution.*
 - **When operating the corded power supply outdoors, always provide a dry location and use an extension cord suitable for outdoor use.** *Use of a cord suitable for outdoor use reduces the risk of electric shock.*
 - **Do not force the corded power supply.** *Use the correct power tool for your application.*
 - **Avoid body contact with earthed or grounded surfaces, such as pipes, radiators, ranges and refrigerators.** *There is an increased risk of electric shock if your body is earthed or grounded.*

- **Do not operate the corded power supply with damaged cord or plug.** In case of damaged power supply cord, the supply cord must be replaced immediately by the manufacturer, its service agent or similar qualified person to prevent any hazard.
- **Keep cord away from heat, oil, sharp edges or moving parts.** Damaged or entangled cords increase the risk of electric shock.
- **Do not operate corded power supply if it has received a sharp blow, been dropped, or otherwise damaged in any way.** Take it to an authorised service centre.
- Do not store or use the tool and battery pack in locations where the temperature may reach or exceed 40 °C.

NOTICE: Under certain conditions, with the corded power supply plugged into the power supply, the corded power supply can be shorted by foreign material. Foreign materials of a conductive nature such as, but not limited to, grinding dust, metal chips, steel wool, aluminum foil, or any buildup of metallic particles should be kept away from corded power supply. Always unplug the corded power supply from the power supply when not connected to the tool. Unplug the corded power supply before attempting to clean.

Electrical Safety

The DeWALT corded power supply may be used on all 2x 54V FLEXVOLT™ tools with a current rating less than or equal to the current rating shown on the DeWALT corded power supply rating label. Always check that the power supply corresponds to the voltage on the rating plate of the corded power supply.



Your DeWALT corded power supply is double insulated in accordance with EN62841; therefore, no earth wire is required.



WARNING: 115 V units have to be operated via a fail-safe isolating transformer with an earth screen between the primary and secondary winding.

If the supply cord is damaged, it must be replaced by a specially prepared cord available through the DeWALT service organisation.

Mains Plug Replacement (U.K. & Ireland Only)

If a new mains plug needs to be fitted:

- Safely dispose of the old plug.
- Connect the brown lead to the live terminal in the plug.
- Connect the blue lead to the neutral terminal.



WARNING: No connection is to be made to the earth terminal.

ENGLISH

Follow the fitting instructions supplied with good quality plugs. Recommended fuse: 13 A.

Using an Extension Cable

An extension cord should not be used unless absolutely necessary. Use an approved extension cable suitable for the power input of your charger (see **Technical Data**). The minimum conductor size is 1.5 mm²; the maximum length is 30 m.

When using a cable reel, always unwind the cable completely.

SAVE THESE INSTRUCTIONS

Package Contents

The package contains:

- 1 Corded power supply
- 1 Instruction manual
- *Check for damage to the tool, parts or accessories which may have occurred during transport.*
- *Take the time to thoroughly read and understand this manual prior to operation.*

Markings on Corded Power Supply

The following pictograms are shown on the tool:



Read instruction manual before use.

Date Code Position (Fig. A)

The date code **8**, which also includes the year of manufacture, is printed into the housing.
Example:

2016 XX XX
Year of Manufacture

Description (Fig. A–D)



WARNING: *Never modify the power tool or any part of it. Damage or personal injury could result.*

- | | |
|-----------------------|---|
| 1 AC connector | 5 Tool's corded power supply AC connector receptacle (Fig. B) |
| 2 Release button | 6 Dust cover holder (Fig. C) |
| 3 Cord clip | 7 Tool's cord clip holder (Fig. D) |
| 4 Dust cover (Fig. B) | |

Intended Use

This corded power supply is designed for professional use in DeWALT 2x 54V FLEXVOLT™ tools.

DO NOT use or store under wet conditions or in the presence of flammable liquids or gases.

DO NOT let children come into contact with the tool. Supervision is required when inexperienced operators use this tool.

- **Young children and the infirm.** This appliance is not intended for use by young children or infirm persons without supervision.
- This product is not intended for use by persons (including children) suffering from diminished physical, sensory or mental abilities; lack of experience, knowledge or skills unless they are supervised by a person responsible for their safety. Children should never be left alone with this product.

Introduction

The DCB500 DeWALT corded power supply is designed to provide power for DeWALT 2x 54V FLEXVOLT™ cordless tools.

Your DeWALT corded power supply should only be used with a power supply corresponding to the voltage on the rating plate of the DCB500, and not with DC power sources.

The DCB500 corded power supply is suitable for use with double insulated 2x 54V FLEXVOLT™ cordless tools.

Additional Specific Usage Instructions

The corded power supply may become warm to the touch during use. This is a normal condition and does not indicate a problem.

IMPORTANT. The power supply is not user serviceable. There are no user serviceable parts inside the power supply. Cord replacement may be conducted at an authorized service centre.

Installing and Removing the Corded Power Supply into and from Tool (Fig. B–D)

Before inserting the corded power supply into your tool, remove the end of the dust cover (4, Fig. B) from the tool's corded power supply receptacle if applicable. Pull the dust cover away from the tool's corded power supply receptacle so that it does not interfere with insertion of the corded power supply. Inspect the tool's corded power supply receptacle for debris. Debris inside the receptacle can prevent the corded power supply from fully seating. If debris is present, clean it using low pressure air or vacuum cleaner. Refer to tool manual.

ENGLISH



WARNING: To minimize the risk of eye injury, always wear ANSI Z87.1 approved eye protection and respiratory protection when performing this.

NOTICE: The corded power supply is for AC power sources only when used with a tool. Use with DC power sources could result in damage to the tool.

To install the corded power supply into your tool

- With the corded power supply unplugged, align its AC connector **1** with the tool's corded power supply receptacle (**5**, Fig. B) then snap into place.
- Ensure that it is fully seated in the tool and does not disengage.
- If applicable, attach the dust cover **4** to the dust cover holder (**6**, Fig. C) in the corded power supply.
- Secure the cord clip **3** into the tool's cord holder (**7**, Fig. D), if applicable. Firmly press the clip into the holder.
- With the tool turned off, plug the corded power supply into a standard 230 V household electric power outlet. UK 115V units should be plugged into a 115V transformer. Do not attempt to use the corded power supply on any other voltage.
- Use the tool according to the tool instructions, making sure the cord is located so that it will not be stepped on, tripped over, or otherwise subjected to damage or stress.
- To remove the corded power supply from the tool (Fig. B), first unplug the corded power supply from the outlet, then press the release button **2** and firmly pull the corded power supply out of the tool. If applicable, firmly press the end of the dust cover **4** into the tool's corded power supply receptacle **5**.

MAINTENANCE

The corded power supply is not serviceable. There are no serviceable parts inside the corded power supply.

Do not attempt to repair the corded power supply. To assure product safety and reliability, repairs, maintenance, and adjustments should be performed by authorized DeWALT service centers. Your DeWALT corded power supply has been designed to operate over a long period of time with a minimum of maintenance. Continuous satisfactory operation depends upon proper care and regular cleaning.



WARNING: To reduce the risk of serious personal injury, turn tool off and disconnect battery pack before making any adjustments or removing/installing attachments or accessories. An accidental start-up can cause injury.



Cleaning

Cleaning the DeWALT Corded Power Supply



WARNING: Never use solvents or other harsh chemicals for cleaning the non-metallic parts of the corded power supply. These chemicals may weaken the materials used in these parts. Use a cloth dampened only with water and mild soap. Never let any liquid get inside the corded power supply; never immerse any part of the tool into a liquid.

Cleaning the Corded Power Supply Receptacle of the Tool



WARNING: Blow dirt and dust out of the main housing with dry air as often as dirt is seen collecting in and around the air vents. Wear approved eye protection and approved dust mask when performing this procedure.

Optional Accessories



WARNING: Since accessories, other than those offered by DeWALT, have not been tested with this product, use of such accessories with this tool could be hazardous. To reduce the risk of injury, only DeWALT recommended accessories should be used with this product.

Consult your dealer for further information on the appropriate accessories.

Protecting the Environment



Separate collection. Products and batteries marked with this symbol must not be disposed of with normal household waste.

Products and batteries contain materials that can be recovered or recycled

reducing the demand for raw materials. Please recycle electrical products and batteries according to local provisions. Further information is available at www.2helpU.com.

Belgique et Luxembourg België en Luxemburg	DeWALT - Belgium BVBA Egide Walschaertsstraat 16 2800 Mechelen	Tel: NL 32 15 47 37 63 Tel: FR 32 15 47 37 64 Fac: 32 15 47 37 99	www.dewalt.be enduser.BE@SBDinc.com
Danmark	DeWALT Roskildevej 22 2620 Albertslund	Tel: 70 20 15 10 Fac: 70 22 49 10	www.dewalt.dk kundeservice.dk@sbdinc.com
Deutschland	DeWALT Richard Klinger Str. 11 65510 Idstein	Tel: 06126-21-1 Fac: 06126-21-2770	www.dewalt.de infodwge@sbdinc.com
Ελλάς	DeWALT (Ελλάς) A.E. ΕΑΡΑ-ΓΡΑΦΕΙΑ : Σιρόβουλος 7 & Α. Βουλγαμένης, Γλυφάδα 166 74, Αθήνα SERVICE : Ημεροσ, Τόπος 2 (Χάν Αδάμ) – 193 00 Ασπρόπυργος	Τηλ: 00302108981616 Φαξ: 00302108983570	www.dewalt.gr Greece.Service@sbdinc.com
España	DeWALT Ibérica, S.C.A. Parc de Negocios "Mas Blau" Edificio Muntadas, c/Bergadà, 1, Of. A6 08820 El Prat de Llobregat (Barcelona)	Tel: 934797 400 Fac: 934797 419	www.dewalt.es respuesta.postventa@sbdinc.com
France	DeWALT 5, allée des Hêtres BP 30084, 69579 Limonest Cedex	Tel: 04 72 20 39 20 Fac: 04 72 20 39 00	www.dewalt.fr scufi@sbdinc.com
Schweiz Suisse Svizzera	DeWALT In der Luberzen 42 8902 Urdorf	Tel: 044 - 755 60 70 Fac: 044 - 730 70 67	www.dewalt.ch service@rofoag.ch
Ireland	DeWALT Calpe House Rock Hill Black Rock, Co. Dublin	Tel: 00353-2781800 Fac: 00353-2781811	www.dewalt.ie
Italia	DeWALT via Energypark 20871 Vimercate (MB), IT	Tel: 800-014353 39 039 9590200 Fac: 39 039 9590313	www.dewalt.it
Nederlands	DeWALT Netherlands BV Holtum Noordweg 35 6121 RE BORN, Postbus 83, 6120 AB BORN	Tel: 31 164 283 063 Fac: 31 164 283 200	www.dewalt.nl
Norge	DeWALT Postboks 4613, Nydalen 0405 Oslo	Tel: 45 25 13 00 Fac: 45 25 08 00	www.dewalt.no kundeservice.no@sbdinc.com
Österreich	DeWALT Werkzeug Vertriebsges m.b.H Oberlaaerstrasse 248, A-1230 Wien	Tel: 01 - 66116 - 0 Fac: 01 - 66116 - 614	www.dewalt.at service.austria@sbdinc.com
Portugal	DeWALT Limited, SARL Centro de Escritórios de Sintra Avenida Almirante Gago Coutinho, 132/134, Edifício 14 2710-418 Sintra	Tel: 214 66 75 00 Fac: 214 66 75 80	www.dewalt.pt resposta.posvend@sbdinc.com
Suomi	DeWALT PL 47 00521 Helsinki	Puh: 010 400 4333 Faksi: 0800 411 340	www.dewalt.fi asiakaspalvelu.fi@sbdinc.com
Sverige	DeWALT Box 94 431 22 Mölndal	Tel: 031 68 61 60 Fac: 031 68 60 08	www.dewalt.se kundservice.se@sbdinc.com
Türkiye	KALE Hirdavat ve Makina A.Ş. Defterdar Mah. Savaklar Cad. No:15 Edirnekapı / Eyyüp / İSTANBUL 34050 TÜRKİYE	Tel: 0212 533 52 55 Faks: 0212 533 10 05	www.dewalt.com.tr
United Kingdom	DeWALT, 210 Bath Road, Slough, Berks SL1 3YD	Tel: 01753-567055 Fac: 01753-572112	www.dewalt.co.uk emeaservice@sbdinc.com
Australia	DeWALT 810 Whitehorse Road Box Hill VIC 3103 Australia	Tel: Aust 1800 338 002 Tel: NZ 0800 339 258	www.dewalt.com.au www.dewalt.co.nz
Middle East Africa	DeWALT P.O. Box - 17164, Jebel Ali Free Zone (South), Dubai, UAE	Tel: 971 4 812 7400 Fac: 971 4 2822765	www.dewalt.ae Service.MEA@sbdinc.com