

DEWALT®

XR®

English (**original instructions**)

5

Русский (*перевод с оригинала инструкции*)

18

Українська (*переклад з оригінальної інструкції*)

37

Fig. A

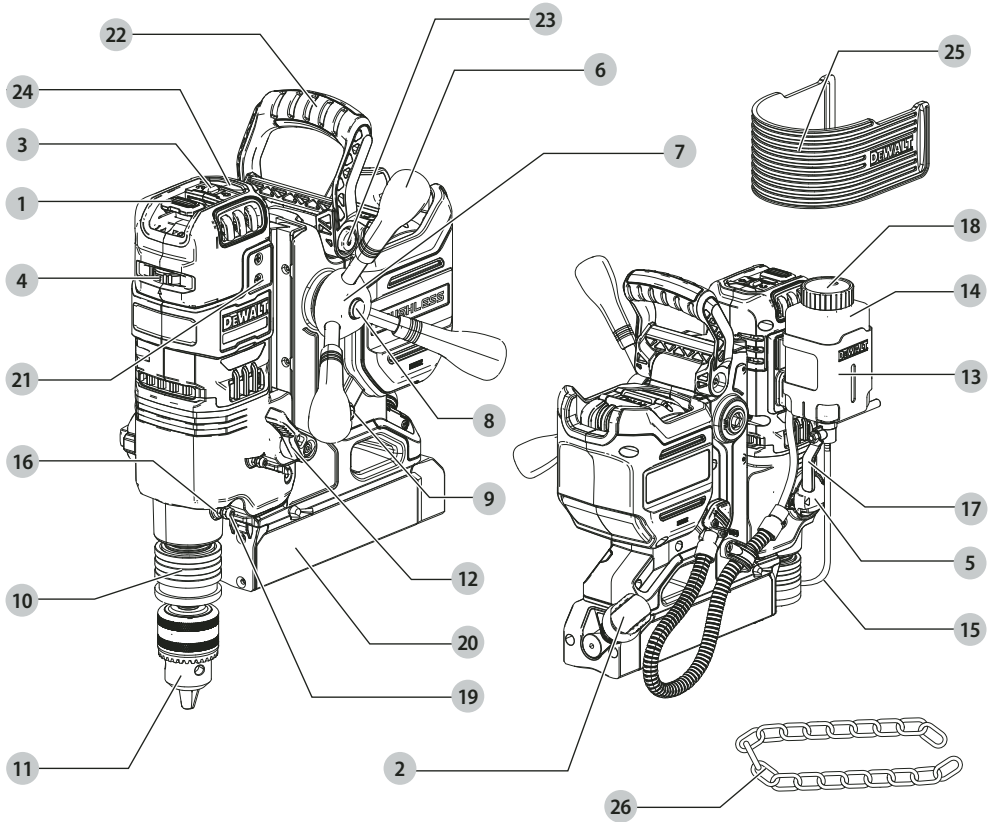


Fig. B

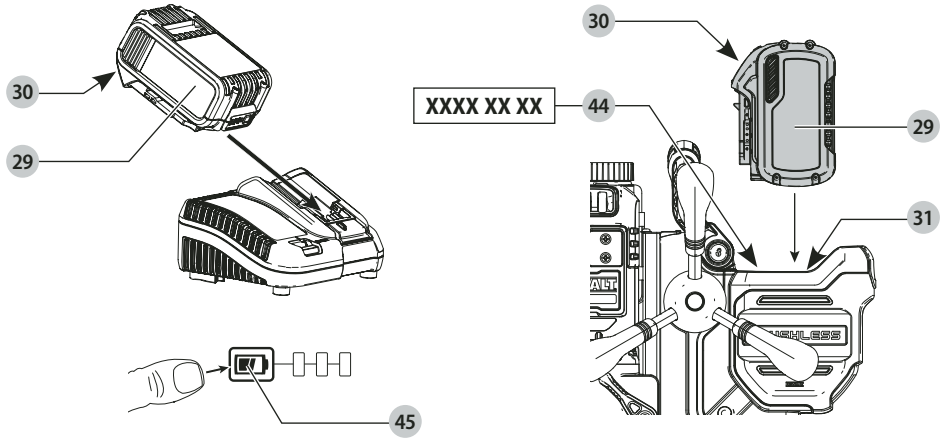


Fig. C

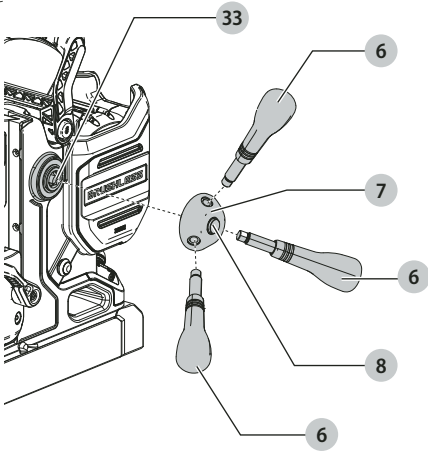


Fig. D

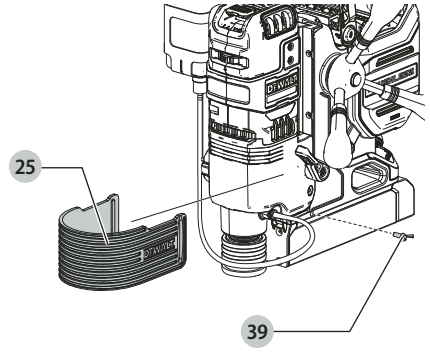


Fig. E

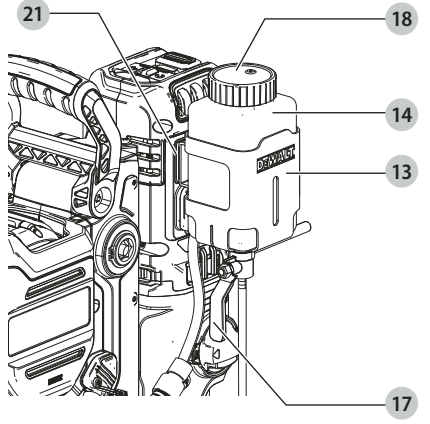
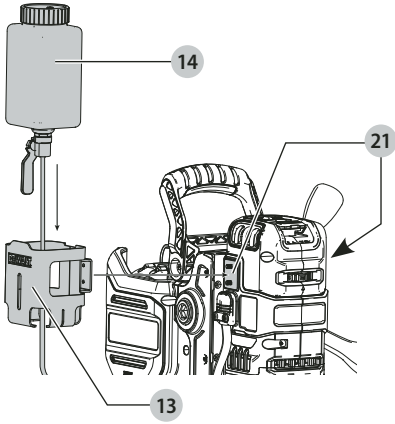


Fig. F

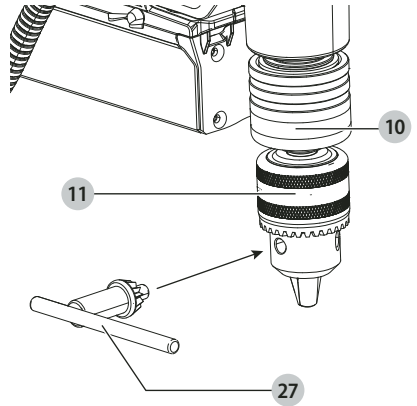
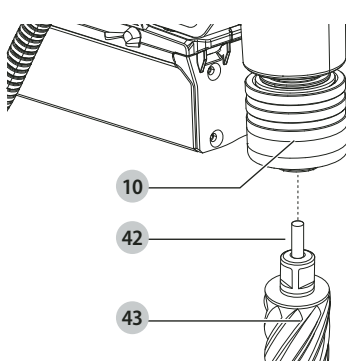


Fig. G

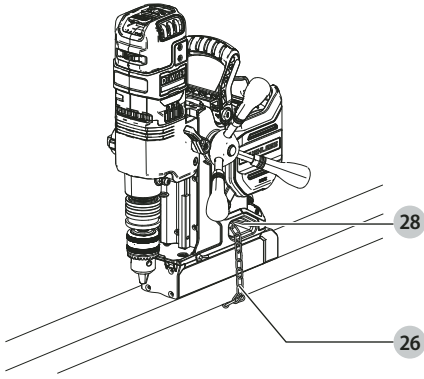


Fig. H

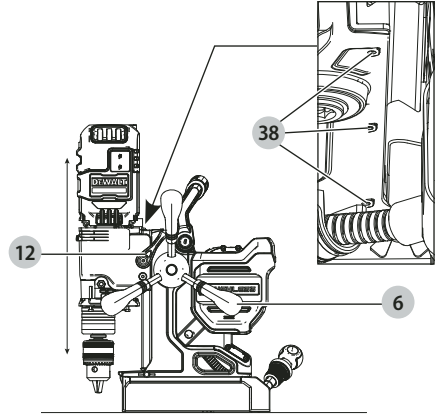


Fig. I

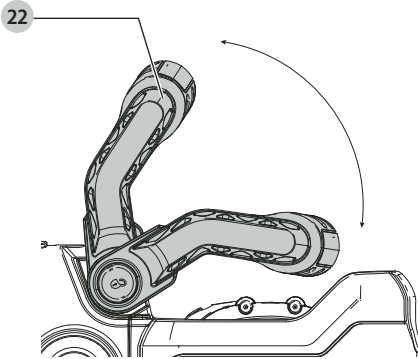


Fig. J

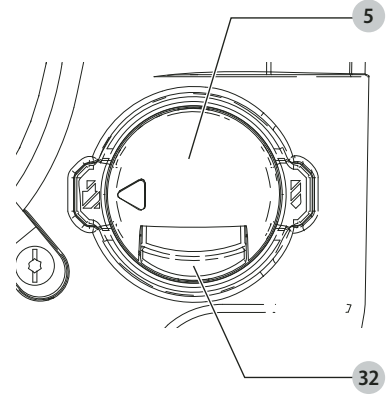


Fig. K

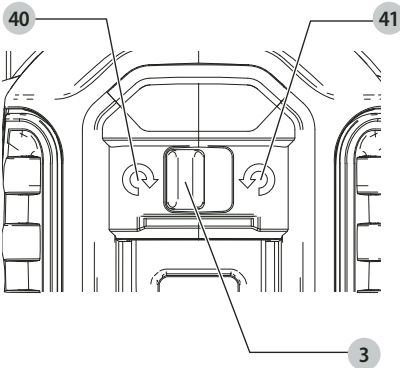


Fig. L

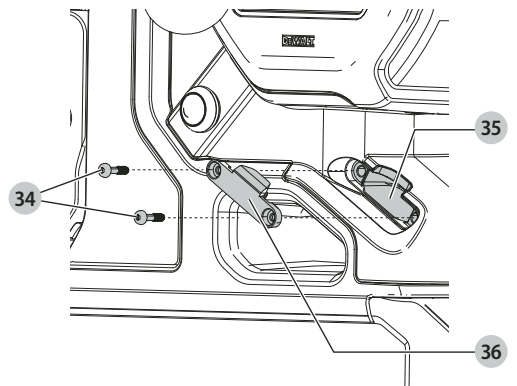
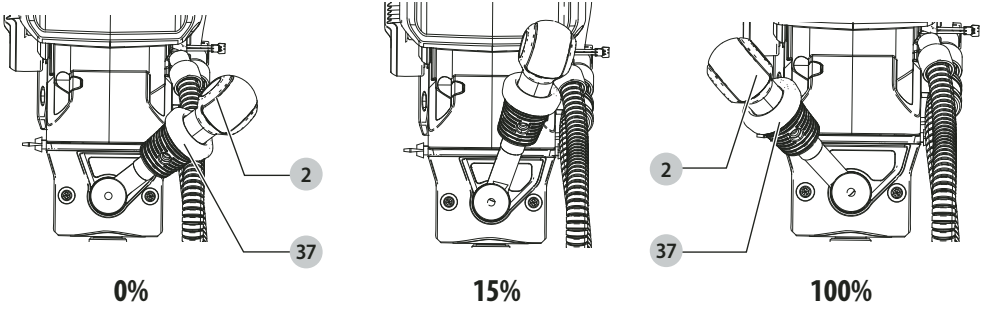


Fig. M



MAGNETIC DRILL PRESS

DCD1623

Congratulations!

You have chosen a DEWALT tool. Years of experience, thorough product development and innovation make DEWALT one of the most reliable partners for professional power tool users.

Technical Data

		DCD1623
Voltage	V _{DC}	18
Type		1
Max. power output w/ 9Ah battery	W	1100
No load speed forward		
Low gear	min-1	130–420
High gear	min-1	250–810
No load speed reverse		
Low gear	min-1	350
High gear	min-1	680
Max. drill diameter with twist drill bit	mm	16
Max. drill diameter with annular cutter	mm	50
Max. Taping		M14
Max. cutting depth in steel	mm	50
Tool holder (flat shank)	mm	19
Weight	kg	14.4

Noise values and/or vibration values (triax vector sum) according to EN62841-1:

L _{PA} (emission sound pressure level)	dB(A)	85
L _{WA} (sound power level)	dB(A)	94
K (uncertainty for the given sound level)	dB(A)	3

The vibration and/or noise emission level given in this information sheet has been measured in accordance with a standardised test given in EN62841 and may be used to compare one tool with another. It may be used for a preliminary assessment of exposure.



WARNING: *The declared vibration and/or noise emission level represents the main applications of the tool. However if the tool is used for different applications, with different accessories or poorly maintained, the vibration and/or noise emission may differ. This may significantly increase the exposure level over the total working period.*

An estimation of the level of exposure to vibration and/or noise should also take into account the times when the tool is switched off or when it is running but not actually doing the job. This may significantly reduce the exposure level over the total working period.

Identify additional safety measures to protect the operator from the effects of vibration and/or noise such as: maintain the tool and the accessories, keep the hands warm (relevant for vibration), organisation of work patterns.

EC-Declaration of Conformity

Machinery Directive



Magnetic Drill Press DCD1623

DEWALT declares that these products described under **Technical Data** are in compliance with: 2006/42/EC, EN62841-1:2015.

These products also comply with Directive 2014/30/EU and 2011/65/EU. For more information, please contact DEWALT at the following address or refer to the back of the manual.

The undersigned is responsible for compilation of the technical file and makes this declaration on behalf of DEWALT.

Markus Rompel
Vice-President Engineering, PTE-Europe
DEWALT, Richard-Klinger-Straße 11,
65510, Idstein, Germany
29.04.2022

DECLARATION OF CONFORMITY

THE SUPPLY OF MACHINERY (SAFETY)

REGULATIONS 2008



Magnetic Drill Press DCD1623

DEWALT declares that these products described under "technical data" are in compliance with: EN62841-1:2015.

These products conform to the following UK Regulations The Supply of Machinery (Safety) Regulations, 2008, S.I. 2008/1597 (as amended).

Electromagnetic Compatibility Regulations, 2016, S.I.2016/1091 (as amended).

The Restriction of the Use of Certain Hazardous Substances in Electrical and Electronic Equipment Regulations 2012, S.I. 2012/3032 (as amended).

For more information, please contact DEWALT at the following address or refer to the back of the manual.

The undersigned is responsible for compilation of the technical file and makes this declaration on behalf of DEWALT.

Batteries				Chargers/Charge Times (Minutes)**									
Cat #	V _{DC}	Ah	Weight (kg)	DCB104	DCB107	DCB112	DCB113	DCB115	DCB116	DCB117	DCB118	DCB132	DCB119
DCB547G	18/54	9.0/3.0	1.46	75*	420	270	220	135*	110*	60	75*	135*	X
DCB184G	18	5.0	0.62	75/50**	240	150	120	75	75/60**	75/50**	75/50**	75	150

*Date code 201811475B or later

**Date code 201536 or later

**Battery charge times matrix provided for guidance only; charge times will vary depending on temperature and condition of batteries.



Karl Evans
 Vice President Professional Power Tools EANZ GTS
 270 Bath Road, Slough
 Berkshire, SL1 4DX
 England
 29.04.2022



WARNING: To reduce the risk of injury, read the instruction manual.

Definitions: Safety Guidelines

The definitions below describe the level of severity for each signal word. Please read the manual and pay attention to these symbols.



DANGER: Indicates an imminently hazardous situation which, if not avoided, **will** result in **death or serious injury**.



WARNING: Indicates a potentially hazardous situation which, if not avoided, **could** result in **death or serious injury**.



CAUTION: Indicates a potentially hazardous situation which, if not avoided, **may** result in **minor or moderate injury**.

NOTICE: Indicates a practice **not related to personal injury** which, if not avoided, **may** result in **property damage**.



Denotes risk of electric shock.



Denotes risk of fire.

GENERAL POWER TOOL SAFETY WARNINGS



WARNING: Read all safety warnings, instructions, illustrations and specifications provided with this power tool. Failure to follow all instructions listed below may result in electric shock, fire and/or serious injury.

SAVE ALL WARNINGS AND INSTRUCTIONS FOR FUTURE REFERENCE

The term "power tool" in the warnings refers to your mains-operated (corded) power tool or battery-operated (cordless) power tool.

1) Work Area Safety

- Keep work area clean and well lit.** Cluttered or dark areas invite accidents.
- Do not operate power tools in explosive atmospheres, such as in the presence of flammable liquids, gases or dust.** Power tools create sparks which may ignite the dust or fumes.
- Keep children and bystanders away while operating a power tool.** Distractions can cause you to lose control.

2) Electrical Safety

- Power tool plugs must match the outlet. Never modify the plug in any way. Do not use any adapter plugs with earthed (grounded) power tools.** Unmodified plugs and matching outlets will reduce risk of electric shock.
- Avoid body contact with earthed or grounded surfaces, such as pipes, radiators, ranges and refrigerators.** There is an increased risk of electric shock if your body is earthed or grounded.
- Do not expose power tools to rain or wet conditions.** Water entering a power tool will increase the risk of electric shock.
- Do not abuse the cord. Never use the cord for carrying, pulling or unplugging the power tool. Keep cord away from heat, oil, sharp edges or moving parts.** Damaged or entangled cords increase the risk of electric shock.
- When operating a power tool outdoors, use an extension cord suitable for outdoor use.** Use of a cord suitable for outdoor use reduces the risk of electric shock.
- If operating a power tool in a damp location is unavoidable, use a residual current device (RCD) protected supply.** Use of an RCD reduces the risk of electric shock.

3) Personal Safety

- Stay alert, watch what you are doing and use common sense when operating a power tool. Do not use a power tool while you are tired or under the influence of drugs, alcohol or medication.** A moment of inattention while operating power tools may result in serious personal injury.
- Use personal protective equipment. Always wear eye protection.** Protective equipment such as a dust mask, non-skid safety shoes, hard hat or hearing protection used for appropriate conditions will reduce personal injuries.
- Prevent unintentional starting. Ensure the switch is in the off-position before connecting to power**

source and/or battery pack, picking up or carrying the tool. Carrying power tools with your finger on the switch or energising power tools that have the switch on invites accidents.

- d) **Remove any adjusting key or wrench before turning the power tool on.** A wrench or a key left attached to a rotating part of the power tool may result in personal injury.
- e) **Do not overreach. Keep proper footing and balance at all times.** This enables better control of the power tool in unexpected situations.
- f) **Dress properly. Do not wear loose clothing or jewellery. Keep your hair and clothing away from moving parts.** Loose clothes, jewellery or long hair can be caught in moving parts.
- g) **If devices are provided for the connection of dust extraction and collection facilities, ensure these are connected and properly used.** Use of dust collection can reduce dust-related hazards.
- h) **Do not let familiarity gained from frequent use of tools allow you to become complacent and ignore tool safety principles.** A careless action can cause severe injury within a fraction of a second.

4) Power Tool Use and Care

- a) **Do not force the power tool. Use the correct power tool for your application.** The correct power tool will do the job better and safer at the rate for which it was designed.
- b) **Do not use the power tool if the switch does not turn it on and off.** Any power tool that cannot be controlled with the switch is dangerous and must be repaired.
- c) **Disconnect the plug from the power source and/or remove the battery pack, if detachable, from the power tool before making any adjustments, changing accessories, or storing power tools.** Such preventive safety measures reduce the risk of starting the power tool accidentally.
- d) **Store idle power tools out of the reach of children and do not allow persons unfamiliar with the power tool or these instructions to operate the power tool.** Power tools are dangerous in the hands of untrained users.
- e) **Maintain power tools and accessories. Check for misalignment or binding of moving parts, breakage of parts and any other condition that may affect the power tool's operation. If damaged, have the power tool repaired before use.** Many accidents are caused by poorly maintained power tools.
- f) **Keep cutting tools sharp and clean.** Properly maintained cutting tools with sharp cutting edges are less likely to bind and are easier to control.
- g) **Use the power tool, accessories and tool bits etc. in accordance with these instructions, taking into account the working conditions and the work to be performed.** Use of the power tool for operations different from those intended could result in a hazardous situation.
- h) **Keep handles and grasping surfaces dry, clean and free from oil and grease.** Slippery handles and grasping

surfaces do not allow for safe handling and control of the tool in unexpected situations.

5) Battery Tool Use and Care

- a) **Recharge only with the charger specified by the manufacturer.** A charger that is suitable for one type of battery pack may create a risk of fire when used with another battery pack.
- b) **Use power tools only with specifically designated battery packs.** Use of any other battery packs may create a risk of injury and fire.
- c) **When battery pack is not in use, keep it away from other metal objects, like paper clips, coins, keys, nails, screws or other small metal objects, that can make a connection from one terminal to another.** Shorting the battery terminals together may cause burns or a fire.
- d) **Under abusive conditions, liquid may be ejected from the battery; avoid contact. If contact accidentally occurs, flush with water. If liquid contacts eyes, additionally seek medical help.** Liquid ejected from the battery may cause irritation or burns.
- e) **Do not use a battery pack or tool that is damaged or modified.** Damaged or modified batteries may exhibit unpredictable behaviour resulting in fire, explosion or risk of injury.
- f) **Do not expose a battery pack or tool to fire or excessive temperature.** Exposure to fire or temperature above 130 °C may cause explosion.
- g) **Follow all charging instructions and do not charge the battery pack or tool outside the temperature range specified in the instructions.** Charging improperly or at temperatures outside the specified range may damage the battery and increase the risk of fire.

6) Service

- a) **Have your power tool serviced by a qualified repair person using only identical replacement parts.** This will ensure that the safety of the power tool is maintained.
- b) **Never service damaged battery packs.** Service of battery packs should only be performed by the manufacturer or authorized service providers.

Additional Specific Safety Rules for Drill Presses

- Keep your hands out of the drilling area while the tool is running. Contact with rotating parts or chips may result in personal injury.
- Always use the drill guard. Before turning on machine ensure the guard is closed securely.
- Always use the safety chain.
- The magnetic stand is suitable for use on steel with a thickness starting from 10 mm, with zero air gap between the magnet core surface and the mounting surface. Curvature, coats of paint and surface irregularities will create an air gap. Keep the air gap to a minimum.
- Always place the machine on a flat surface. Do not clamp the stand on small or irregularly shaped objects.

- Always place the machine on a surface that is clear of shavings, chips, swarf and surface dirt.
- Keep the magnet clean and free of debris and swarf.
- Do not turn on the machine until it has been mounted and installed according to these instructions.
- Do not turn on the machine before having checked that the magnetic stand has been tightened firmly to the mounting surface.
- Adjust the table so cutter does not extend into the workpiece before drilling. Do not perform any design, assembly or construction activities on the workpiece while the machine is turned on.
- Before turning on the machine, make sure the accessory has been mounted correctly.
- Always use the recommended speed for the accessories and the material.
- Do not use the machine on the same workpiece on which electric welders are being used.
- Use only an appropriate cutting fluid. Use a general metal cutting coolant diluted with water.
- Do not use liquid cutting fluids while drilling vertically or overhead. Dip the cutter in cutting paste or apply an appropriate spray for these applications.
- Do not pour cutting fluid into the reservoir while it is mounted in the bracket. Do not allow cutting fluid to enter the drill motor.
- Before use, ensure movable chuck guard operates properly.
- Ensure that metal chips or resinous residue cannot lead to blockage of the function.
- In case of jammed cutter disconnect the machine from the power supply, remove the reason for the jam before turning on the machine again.

Residual Risks

In spite of the application of the relevant safety regulations and the implementation of safety devices, certain residual risks cannot be avoided. These are:

- Impairment of hearing.
- Risk of personal injury due to flying particles.
- Risk of burns due to accessories becoming hot during operation.
- Risk of personal injury due to prolonged use.

SAVE THESE INSTRUCTIONS

Chargers

DEWALT chargers require no adjustment and are designed to be as easy as possible to operate.

Electrical Safety

The electric motor has been designed for one voltage only. Always check that the battery pack voltage corresponds to the voltage on the rating plate. Also make sure that the voltage of your charger corresponds to that of your mains.



Your DEWALT charger is double insulated in accordance with EN60335; therefore no earth wire is required.

If the supply cord is damaged, it must be replaced only by DEWALT or an authorised service organisation.

Mains Plug Replacement (U.K. & Ireland Only)

If a new mains plug needs to be fitted:

- Safely dispose of the old plug.
- Connect the brown lead to the live terminal in the plug.
- Connect the blue lead to the neutral terminal.



WARNING: No connection is to be made to the earth terminal.

Follow the fitting instructions supplied with good quality plugs. Recommended fuse: 3 A.

Using an Extension Cable

An extension cord should not be used unless absolutely necessary. Use an approved extension cable suitable for the power input of your charger (see **Technical Data**). The minimum conductor size is 1 mm²; the maximum length is 30 m.

When using a cable reel, always unwind the cable completely.

Important Safety Instructions for All Battery Chargers

SAVE THESE INSTRUCTIONS: This manual contains important safety and operating instructions for compatible battery chargers (refer to **Technical Data**).

- Before using charger, read all instructions and cautionary markings on charger, battery pack, and product using battery pack.



WARNING: Shock hazard. Do not allow any liquid to get inside charger. Electric shock may result.



WARNING: We recommend the use of a residual current device with a residual current rating of 30mA or less.



CAUTION: Burn hazard. To reduce the risk of injury, charge only DEWALT rechargeable batteries. Other types of batteries may burst causing personal injury and damage.



CAUTION: Children should be supervised to ensure that they do not play with the appliance.

NOTICE: Under certain conditions, with the charger plugged into the power supply, the exposed charging contacts inside the charger can be shorted by foreign material. Foreign materials of a conductive nature such as, but not limited to, steel wool, aluminum foil or any buildup of metallic particles should be kept away from charger cavities. Always unplug the charger from the power supply when there is no battery pack in the cavity. Unplug charger before attempting to clean.

- **DO NOT attempt to charge the battery pack with any chargers other than the ones in this manual.** The charger and battery pack are specifically designed to work together.
- **These chargers are not intended for any uses other than charging DEWALT rechargeable batteries.** Any other uses may result in risk of fire, electric shock or electrocution.
- **Do not expose charger to rain or snow.**

- **Pull by plug rather than cord when disconnecting charger.** This will reduce risk of damage to electric plug and cord.
- **Make sure that cord is located so that it will not be stepped on, tripped over, or otherwise subjected to damage or stress.**
- **Do not use an extension cord unless it is absolutely necessary.** Use of improper extension cord could result in risk of fire, electric shock, or electrocution.
- **Do not place any object on top of charger or place the charger on a soft surface that might block the ventilation slots and result in excessive internal heat.** Place the charger in a position away from any heat source. The charger is ventilated through slots in the top and the bottom of the housing.
- **Do not operate charger with damaged cord or plug—** have them replaced immediately.
- **Do not operate charger if it has received a sharp blow, been dropped, or otherwise damaged in any way.** Take it to an authorised service centre.
- **Do not disassemble charger; take it to an authorised service centre when service or repair is required.** Incorrect reassembly may result in a risk of electric shock, electrocution or fire.
- *In case of damaged power supply cord, the supply cord must be replaced immediately by the manufacturer, its service agent or similar qualified person to prevent any hazard.*
- **Disconnect the charger from the outlet before attempting any cleaning.** This will reduce the risk of electric shock. Removing the battery pack will not reduce this risk.
- **NEVER** attempt to connect two chargers together.
- **The charger is designed to operate on standard 230V household electrical power. Do not attempt to use it on any other voltage.** This does not apply to the vehicular charger.










Charging a Battery (Fig. B)

1. Plug the charger into an appropriate outlet before inserting battery pack.
2. Insert the battery pack **29** into the charger, making sure the battery pack is fully seated in the charger. The red (charging) light will blink repeatedly indicating that the charging process has started.
3. The completion of charge will be indicated by the red light remaining ON continuously. The battery pack is fully charged and may be used at this time or left in the charger. To remove the battery pack from the charger, push the battery release button **30** on the battery pack.

NOTE: To ensure maximum performance and life of lithium-ion battery packs, charge the battery pack fully before first use.

Charger Operation

Refer to the indicators below for the charge status of the battery pack.

Charge Indicators	
 Charging	 
 Fully Charged	 
 Hot/Cold Pack Delay*	 

*The red light will continue to blink, but a yellow indicator light will be illuminated during this operation. Once the battery pack has reached an appropriate temperature, the yellow light will turn off and the charger will resume the charging procedure. The compatible charger(s) will not charge a faulty battery pack. The charger will indicate faulty battery by refusing to light.

NOTE: This could also mean a problem with a charger.

If the charger indicates a problem, take the charger and battery pack to be tested at an authorised service centre.

Hot/Cold Pack Delay

When the charger detects a battery pack that is too hot or too cold, it automatically starts a Hot/Cold Pack Delay, suspending charging until the battery pack has reached an appropriate temperature. The charger then automatically switches to the pack charging mode. This feature ensures maximum battery pack life.

A cold battery pack will charge at a slower rate than a warm battery pack. The battery pack will charge at that slower rate throughout the entire charging cycle and will not return to maximum charge rate even if the battery pack warms.

The DCB118 charger is equipped with an internal fan designed to cool the battery pack. The fan will turn on automatically when the battery pack needs to be cooled. Never operate the charger if the fan does not operate properly or if ventilation slots are blocked. Do not permit foreign objects to enter the interior of the charger.

Electronic Protection System

XR Li-Ion tools are designed with an Electronic Protection System that will protect the battery pack against overloading, overheating or deep discharge.

The tool will automatically turn off if the Electronic Protection System engages. If this occurs, place the lithium-ion battery pack on the charger until it is fully charged.

Wall Mounting

These chargers are designed to be wall mountable or to sit upright on a table or work surface. If wall mounting, locate the charger within reach of an electrical outlet, and away from a corner or other obstructions which may impede air flow. Use the back of the charger as a template for the location of the mounting screws on the wall. Mount the charger securely using drywall screws (purchased separately) at least 25.4 mm long with a screw head diameter of 7–9 mm, screwed into wood to an optimal depth leaving approximately 5.5 mm of the screw exposed. Align the slots on the back of the charger with the exposed screws and fully engage them in the slots.

Charger Cleaning Instructions



WARNING: Shock hazard. Disconnect the charger from the AC outlet before cleaning. Dirt and grease may be removed from the exterior of the charger using a

cloth or soft non-metallic brush. Do not use water or any cleaning solutions. Never let any liquid get inside the tool; never immerse any part of the tool into a liquid.

Battery Packs

Important Safety Instructions for All Battery Packs

When ordering replacement battery packs, be sure to include catalogue number and voltage.

The battery pack is not fully charged out of the carton. Before using the battery pack and charger, read the safety instructions below. Then follow charging procedures outlined.

READ ALL INSTRUCTIONS

- **Do not charge or use battery in explosive atmospheres, such as in the presence of flammable liquids, gases or dust.** Inserting or removing the battery from the charger may ignite the dust or fumes.
- **Never force battery pack into charger. Do not modify battery pack in any way to fit into a non-compatible charger as battery pack may rupture causing serious personal injury.**
- Charge the battery packs only in DEWALT chargers.
- **DO NOT splash or immerse in water or other liquids.**
- **Do not store or use the tool and battery pack in locations where the temperature may fall below 4 °C (39.2 °F) (such as outside sheds or metal buildings in winter), or reach or exceed 40 °C (104 °F) (such as outside sheds or metal buildings in summer).**
- **Do not incinerate the battery pack even if it is severely damaged or is completely worn out.** The battery pack can explode in a fire. Toxic fumes and materials are created when lithium-ion battery packs are burned.
- **If battery contents come into contact with the skin, immediately wash area with mild soap and water.** If battery liquid gets into the eye, rinse water over the open eye for 15 minutes or until irritation ceases. If medical attention is needed, the battery electrolyte is composed of a mixture of liquid organic carbonates and lithium salts.
- **Contents of opened battery cells may cause respiratory irritation.** Provide fresh air. If symptoms persists, seek medical attention.



WARNING: Burn hazard. Battery liquid may be flammable if exposed to spark or flame.



WARNING: Never attempt to open the battery pack for any reason. If battery pack case is cracked or damaged, do not insert into charger. Do not crush, drop or damage battery pack. Do not use a battery pack or charger that has received a sharp blow, been dropped, run over or damaged in any way (i.e., pierced with a nail, hit with a hammer, stepped on). Electric shock or electrocution may result. Damaged battery packs should be returned to service centre for recycling.



WARNING: Fire hazard. Do not store or carry the battery pack so that metal objects can contact exposed battery terminals. For example, do not place

the battery pack in aprons, pockets, tool boxes, product kit boxes, drawers, etc., with loose nails, screws, keys, etc.



CAUTION: When not in use, place tool on its side on a stable surface where it will not cause a tripping or falling hazard. Some tools with large battery packs will stand upright on the battery pack but may be easily knocked over.

Transportation



WARNING: Fire hazard. Transporting batteries can possibly cause fire if the battery terminals inadvertently come in contact with conductive materials. When transporting batteries, make sure that the battery terminals are protected and well insulated from materials that could contact them and cause a short circuit. **NOTE:** Lithium-ion batteries should not be put in checked baggage.

DEWALT batteries comply with all applicable shipping regulations as prescribed by industry and legal standards which include UN Recommendations on the Transport of Dangerous Goods; International Air Transport Association (IATA) Dangerous Goods Regulations, International Maritime Dangerous Goods (IMDG) Regulations, and the European Agreement Concerning The International Carriage of Dangerous Goods by Road (ADR). Lithium-ion cells and batteries have been tested to section 38.3 of the UN Recommendations on the Transport of Dangerous Goods Manual of Tests and Criteria.

In most instances, shipping a DEWALT battery pack will be excepted from being classified as a fully regulated Class 9 Hazardous Material. In general, only shipments containing a lithium-ion battery with an energy rating greater than 100 Watt Hours (Wh) will require being shipped as fully regulated Class 9. All lithium-ion batteries have the Watt Hour rating marked on the pack. Furthermore, due to regulation complexities, DEWALT does not recommend air shipping lithium-ion battery packs alone regardless of Watt Hour rating. Shipments of tools with batteries (combo kits) can be air shipped as excepted if the Watt Hour rating of the battery pack is no greater than 100 Wh. Regardless of whether a shipment is considered excepted or fully regulated, it is the shipper's responsibility to consult the latest regulations for packaging, labeling/marketing and documentation requirements.

The information provided in this section of the manual is provided in good faith and believed to be accurate at the time the document was created. However, no warranty, expressed or implied, is given. It is the buyer's responsibility to ensure that its activities comply with the applicable regulations.

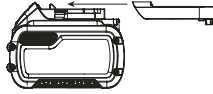
Transporting the FLEXVOLT™ Battery

The DEWALT FLEXVOLT™ battery has two modes: **Use** and **Transport**.

Use Mode: When the FLEXVOLT™ battery stands alone or is in a DEWALT 18V product, it will operate as an 18V battery. When the FLEXVOLT™ battery is in a 54V or a 108V (two 54V batteries) product, it will operate as a 54V battery.

Transport Mode: When the cap is attached to the FLEXVOLT™ battery, the battery is in Transport mode. Keep the cap for shipping.

When in Transport mode, strings of cells are electrically disconnected within the pack resulting in 3 batteries with a lower Watt hour (Wh) rating as compared to 1 battery with a higher Watt hour rating. This increased quantity of 3 batteries with the lower Watt hour rating can exempt the pack from certain shipping regulations that are imposed upon the higher Watt hour batteries.



For example, the Transport Wh rating might indicate 3 x 36 Wh, meaning 3 batteries of 36 Wh each. The Use Wh rating might indicate 108 Wh (1 battery implied).



Storage Recommendations

1. The best storage place is one that is cool and dry away from direct sunlight and excess heat or cold. For optimum battery performance and life, store battery packs at room temperature when not in use.
2. For long storage, it is recommended to store a fully charged battery pack in a cool, dry place out of the charger for optimal results.

NOTE: Battery packs should not be stored completely depleted of charge. The battery pack will need to be recharged before use.

Labels on Charger and Battery Pack

In addition to the pictographs used in this manual, the labels on the charger and the battery pack may show the following pictographs:



Read instruction manual before use.



See **Technical Data** for charging time.



Do not probe with conductive objects.



Do not charge damaged battery packs.



Do not expose to water.



Have defective cords replaced immediately



Charge only between 4 °C and 40 °C.



Only for indoor use.



Discard the battery pack with due care for the environment.



Charge battery packs only with designated DeWALT chargers. Charging battery packs other than the designated DeWALT batteries with a DeWALT charger may make them burst or lead to other dangerous situations.



Do not incinerate the battery pack.



USE (without transport cap). Example: Wh rating indicates 108 Wh (1 battery with 108 Wh).



TRANSPORT (with built-in transport cap). Example: Wh rating indicates 3 x 36 Wh (3 batteries of 36 Wh).

Battery Type

The following tools operate on a 18 volt battery pack: DCD1623
These battery packs may be used: DCB184G, DCB547G. Refer to **Technical Data** for more information.

Package Contents

The package contains:

- 1 Magnetic drill press
- 1 16 mm Keyed chuck attachment
- 1 Chuck key
- 1 Coolant bottle with tube
- 1 Chip guard
- 1 Safety chain
- 2 Ejection pins
- 1 Feed handle set
- 1 Coolant bottle bracket
- 1 Allen key
- 1 Wrench
- 2 Wing bolts
- 1 Kitbox
- 1 Instruction manual

NOTE: Battery packs and chargers are not included with N models. Battery packs and chargers are not included with NT models. B models include Bluetooth® battery packs.

NOTE: The Bluetooth® word mark and logos are registered trademarks owned by the Bluetooth®, SIG, Inc. and any use of such marks by DeWALT is under license. Other trademarks and trade names are those of their respective owners.

- Check for damage to the tool, parts or accessories which may have occurred during transport.
- Take the time to thoroughly read and understand this manual prior to operation.

Markings on Tool

The following pictographs are shown on the tool:



Read instruction manual before use.



Wear ear protection.



Wear eye protection



Visible radiation. Do not stare into light.



Do not use this tool if you or any bystanders have a cardiac pacemaker or other medical implants.



Always use the safety chain. Secure the tool on the workpiece.

Date Code Position (Fig. B)

The date code **44**, which also includes the year of manufacture, is etched on the inside of battery port.

Example:

2022 XX XX

Year and Week of Manufacture

Description (Fig. A)



WARNING: Never modify the power tool or any part of it. Damage or personal injury could result.

- | | |
|------------------------------------|--|
| 1 ON/OFF switch | 14 Coolant bottle |
| 2 Magnet engagement lever | 15 Coolant tube |
| 3 Forward/reverse switch | 16 Coolant coupling connector |
| 4 Speed selector | 17 Coolant flow regulator |
| 5 Gear selector | 18 Coolant bottle cap |
| 6 Feed handle | 19 Coupler nut |
| 7 Feed handle hub | 20 Magnetic base |
| 8 Feed handle release button | 21 Magnetic coolant bottle attachment point |
| 9 LED button | 22 Carry handle |
| 10 19 mm Weldon quick-change chuck | 23 Handle release button |
| 11 16 mm Keyed chuck | 24 Magnet engagement and gyro protection indicator |
| 12 Motor height adjustment lever | 25 Chip guard |
| 13 Coolant bottle bracket | 26 Safety chain |

Intended Use

Your DCD1623 magnetic drill press has been designed for drilling holes in steel construction surfaces. Do not drill into non-ferrous metal.

DO NOT use under wet conditions or in the presence of flammable liquids or gases.

This drill press is a professional power tool.

DO NOT let children come into contact with the tool.

Supervision is required when inexperienced operators use this tool.

- **Young children and the infirm.** This appliance is not intended for use by young children or infirm persons without supervision.
- This product is not intended for use by persons (including children) suffering from diminished physical, sensory or mental abilities; lack of experience, knowledge or skills

unless they are supervised by a person responsible for their safety. Children should never be left alone with this product.

ASSEMBLY AND ADJUSTMENTS



WARNING: To reduce the risk of serious personal injury, turn tool off and disconnect battery pack before making any adjustments or removing/installing attachments or accessories. An accidental start-up can cause injury.



WARNING: Use only DEWALT battery packs and chargers.

Transporting the Drill (Fig. A)



WARNING: To reduce the risk of serious personal injury, turn tool off, and remove the battery pack, before transporting, making any adjustments, cleaning, repairing, or removing/installing attachments or accessories. An accidental start-up can cause injury.

In order to conveniently carry the tool from place to place, a carry handle **22** has been included on the top of the tool.

Installing the Machine (Fig. A, G)

1. Assemble the feed handle.
2. Install the chip guard.
3. Fit the lubrication system as necessary.
4. This machine features a concave base making it possible to install on a solid surface, or a pipe with a diameter of no less than 101 mm and a thickness of no less than 9,5 mm. Remove any particles that will obstruct full contact between the magnetic base **20** and the mounting surface.
5. Fit and tighten the safety chain **26**.

Assembling the Feed Handle (Fig. C)

The quick-release feed handle can be mounted in one simple operation both to the left and the right of the machine.

1. Screw the handles **6** into the hub **7**. Ensure that the handles are secure.
2. Keep the hub release button **8** depressed while inserting the hub shaft into the hole **33**.
3. Release the button.

Assemble the Chip Guard (Fig. D)



WARNING: Always use the chip guard.


1. Hold the chip guard **25** in front of the tool holder, aligning the slots in the chip guard with the holes in the machine.
2. Fit the wing bolts **39** (from the accessories bag) into the holes located in the front of the frame.

Lubrication System (Fig. A, E)

Filling the Coolant Bottle



WARNING: Do not pour cutting fluid into the bottle while mounted in the bracket. Do not allow cutting fluid to enter the drill motor. Electric shock may result.


 **WARNING:** Do not allow cutting fluid to enter the battery port or come in contact with the battery pack.

NOTE: If battery comes in contact with cutting fluid wipe it off immediately. The cutting fluid used with this drill may compromise certain battery pack housings. It is highly recommended that battery packs with oil resistant housings (glass filled nylon, designated by a G suffix in the model number) be used.

NOTE: The lubrication system is designed for dispensing cutting fluids specifically intended for drilling. Other liquids may damage the system.

1. Turn the flow regulator **17** counterclockwise to close.
2. Remove coolant bottle **14** from magnetic coolant bottle bracket **13**.
3. Unscrew the cap **18**.
4. Fill the container with cutting coolant diluted with water.
5. Screw the cap back on.
6. Place coolant bottle into magnetic coolant bottle bracket **13**.

Fitting the Lubrication System (Fig. A, E)

 **WARNING:** Do not use the lubrication system in vertical surfaces or overhead drilling applications.

Only use the lubrication system for horizontal drilling applications, as shown in Figure A.

1. Place coolant bottle **14** into the magnetic coolant bottle bracket **13**, then slide the magnetic coolant bottle bracket onto the either side of the magnetic coolant bottle attachment point **21**.
2. Attach the coolant tube **15** to the coupling connector **16** on the gearbox.
 - a. Unscrew the nut **19** by the wrench first, and place the nut through the end of the coolant tube **15**.
 - b. Press the coolant tube onto the coupling connector **16** first, then use a wrench to tighten the nut.
 - c. To remove, unscrew the nut and then pull the coolant tube from the coupling connector.

NOTE: After the coolant tube has been removed, tighten the nut on the coupling connector to prevent losing it.

In order to use the lubrication system, the coolant bottle **14** must be filled with a sufficient amount of cutting fluid.


Lubrication in Horizontal Applications (Fig. A, E)

1. Adjust the fluid flow as required using the flow regulator **17**.
2. Add more cutting fluid if the shavings become blue.

Lubrication in Vertical and Overhead Applications

Dip the cutter in cutting paste or apply an appropriate spray.

Fitting the Safety Chain (Fig. G)

 **WARNING:** Always use the safety chain.

 **WARNING:** Never attach the safety chain through the carry handle.

Feed the provided safety chain **26** through the safety chain opening **28** of unit and around the workpiece and secure in place.

Inserting and Removing an Accessory (Fig. F)

The tool holder accepts annular cutters with a Weldon 19 mm shank with two flats.

 **CAUTION:** Laceration hazard. The cutter teeth are sharp.

1. Slide the pilot pin **42** through the hole in the center of the cutter shank.
2. Push up on the 19 mm Weldon quick-change chuck **11**.
3. Insert the cutter **43** with pilot pin and turn until the flat meets the locking pin. When the flat meets the locking pin the collar will snap down.
4. Check that the cutter is securely held in the arbor.
5. Lift the 19 mm Weldon quick-change chuck to release the cutter.

Three-Jaw Chuck (Fig. F)

A 3-jaw chuck **11** can be installed to fit the drill press for various bit sizes. Refer to **Inserting and Removing an Accessory** for installation instructions.

1. Place chuck key **27** in each of the three holes, and tighten in clockwise direction. It's important to tighten chuck with all three holes to prevent slippage.
2. To release bit, turn chuck key counterclockwise in just one hole, then loosen the chuck by hand.

NOTE: It may be necessary to adjust the motor position when chuck is installed. Please refer to **Adjusting the Motor Height** for instructions.

Refer to the **Accessories** section for further information on appropriate accessories.

Magnet Engagement Lever (Fig. M)

The magnetic strength can be switched by using the magnet engagement lever **2**.

Moving the magnet engagement lever towards the middle position increases the magnetic power to 15%. This is a feature to provide some user assistance while securing the unit into place.

Moving the magnet engagement lever to the left position increases the magnet power to 100%.



With the magnet engagement lever positioned to the right the magnetic power is turned off. When moving the handle from the left to the right the collar **37** on the handle must be lifted to move out of either 100% engaged or 15% engaged.



NOTE: The unit will not turn on until the magnet engagement lever is in the left position at 100%.

Gear Selector (Fig. J)

 **CAUTION:** Do not change gears while motor is running.

The machine is equipped with a two-gear selector to vary the speed/torque ratio.

- Press in the gear selector button **32** and rotate the gear selector dial **5** into the desired mode.
- LOW SPEED AND HIGH TORQUE:**  Rotate the gear selector to the left for low speed and high torque.
HIGH SPEED AND LOW TORQUE:  Rotate the gear selector to the right for high speed and low torque.

	1	2	3	4	5
	250	370	500	660	810
	130	190	260	340	420

Speed Selection (Fig. A)

The tool features five speed settings for greater versatility.

- To select a higher RPM setting, rotate the speed selector **4** to a higher number.
- To select a lower RPM setting, rotate the speed selector to a lower number.

If the tool does not change speeds, confirm that the speed selection switch is completely engaged in the forward or back position.

Refer to the **Speed (RPM) and Drill Settings** chart at the back of this section for speed and cutter size recommendations.

Forward/Reverse Button (Fig. K)

A forward/reverse control button **3** determines the direction of bit rotation.

NOTE: The reverse feature of this tool is used for tapping screw holes. Reverse speed will be 350 rpms in low gear and 680 rpm in high gear regardless of variable speed.

To select forward rotation, release the ON/OFF switch **1** and switch the forward/reverse control button towards the forward icon **40**.

To select reverse, switch the forward/reverse control button towards the reverse icon **41**.

Adjusting the Motor Height (Fig. H)

The motor height can be adjusted to accommodate the need for more or less bit clearance over the workpiece.

- Loosen the motor slide lever **12**.
- Position the motor to the desired height.
- Tighten the motor slide lever firmly to secure the motor in position.

NOTE: There are three set screws **38** along the side of the frame that can be tightened or loosened to adjust how easily the motor housing moves with the feed handle **6**.

OPERATION

Instructions for Use



WARNING: Always observe the safety instructions and applicable regulations.



WARNING: To reduce the risk of serious personal injury, turn tool off and disconnect battery pack before making any adjustments or removing/installing attachments or accessories. An accidental start-up can cause injury.

Carry handle (Fig. I)

This carry handle has two functions:

- Carry the tool when it is in vertical position.
- Protect the battery from dropping off in its folded position for tool's upside down application.

Installing and Removing the Battery Pack (Fig. B)



WARNING: Ensure the tool/appliance is in the off position before inserting the battery pack.



WARNING: Keep cutting fluid away from the battery pack. Contact with cutting fluid may cause the battery housing to crack. If battery comes in contact with cutting fluid, clean the battery immediately.

NOTE: It is highly recommended that battery packs with oil resistant housings (glass filled nylon, designated by a G suffix in the model number) be used. For best results, make sure your battery pack is fully charged.

To install the battery pack **29** into the battery port **31** press and hold the carry handle release button **8** and move the carry handle **22** into the vertical position. Align the battery pack with the rails inside the battery port and slide it in until the battery pack is firmly seated in the tool and ensure that it does not disengage.

To remove the battery pack from the tool, press and hold the carry handle release button **8** and move the carry handle **22** into the vertical position. Press the release button **30** and firmly pull the battery pack out of the battery port. Insert it into the charger as described in the charger section of this manual.

NOTE: If the battery is still difficult to remove with the carry handle in the vertical position, press and hold the carry handle release button and push the carry handle a little further towards the front of the tool to create more space for the battery to be removed.

Fuel Gauge Battery Packs (Fig. B)

Some DEWALT battery packs include a fuel gauge which consists of three green LED lights that indicate the level of charge remaining in the battery pack.

To actuate the fuel gauge, press and hold the fuel gauge button **45**. A combination of the three green LED lights will illuminate designating the level of charge left. When the level of charge in the battery is below the usable limit, the fuel gauge will not illuminate and the battery will need to be recharged.

NOTE: The fuel gauge is only an indication of the charge left on the battery pack. It does not indicate tool functionality and is subject to variation based on product components, temperature and end-user application.

Prior to operation



WARNING: Inspect the chain before each use, for wear or damage. Replace if necessary.

Try a few simple projects using scrap material until you develop a “feel” for the machine.

Switching On and Off (Fig. A)

In order to operate properly, the machine has to be switched following the procedure as described below.

Switching the power on and off



WARNING: In a vertical or upside down application, the tool will drop off from the workpiece if the magnet engagement lever is **NOT** at the 100% position.

Push the power switch **1** up (**I**) to run the tool.

NOTE: The tool will not run unless magnet is at 100% engagement. An orange light will illuminate indicating the magnet is not fully engaged.

Press the switch down (**O**) to shut down the tool.

E-Clutch® System and Low Voltage Indicator LED (Fig. A)

The DCD1623 is equipped with the DEWALT E-Clutch® system. This feature senses the motion of the tool and shuts the tool down if necessary. The E-Clutch® indicator **24** will illuminate red to indicate status.

The working LED on the front of the magnetic base **20** will flash to alert the user of low voltage conditions.

INDICATOR	DIAGNOSIS	SOLUTION
OFF	Tool is functioning normally	Follow all warnings and instructions when operating the tool.
RED SOLID	E-Clutch® System has been activated (ENGAGED)	With the tool properly supported, release trigger. The tool will function normally when the trigger is depressed again and the indicator light will go out.
ORANGE SOLID	The magnet engagement lever is not in the 100% position with the power switch on.	Move the magnet engagement lever to the 100% position.
WHITE FLASHING	Low voltage battery conditions	Suspend use of the tool and replace with fully charged battery.

Drilling with Annular Cutters

- Annular cutters only cut material at the periphery of the hole, rather than converting the entire hole to shavings. As a result the energy required to make a hole is lower than for a twist drill.
- When drilling with an annular cutter, it is not necessary to drill a pilot hole.



CAUTION: Do not touch the cutter or the parts close to the cutter immediately after operation, as they may be

extremely hot and cause burns to the skin. Ensure nobody is in the work area where the metal core is ejected.

Drilling Conditions

The ease with which material can be drilled is dependent on several factors including tensile strength and abrasion resistance. Hardness and /or strength is the usual criterion, wide variations in machine ability can exist among material showing similar physical properties. The drilling conditions are dependent on requirements for tool life and surface finish. These conditions are further restricted by the rigidity of the tool and the workpiece, lubrication and machine power available. The harder the material the lower the cutting speed. Some materials of low hardness contain abrasive substances leading to rapid cutting edge wear at high speeds. Feed rates are governed by rigidity of set-up, volume of material to be removed, surface finish and available machine power.

Drilling a Hole (Fig. A)

- Always apply an appropriate cutting fluid/coolant on the cutting area.
- Lower the guard **25** so that it screens the surface to be drilled.
- Make sure the drill point or cutter pilot is properly installed over the spot to be drilled.
- Push the power switch **1** up (**I**) to run the tool.
- Slowly feed the accessory into the workpiece using the feed handle **6**.
- At the start of the cut, apply light pressure to allow the accessory to perform the initial groove.
- Continue applying sufficient pressure to achieve a smooth progressive cut. Do not force.
- Take extra care when the accessory is about to break through the surface to prevent splintering.
- Always turn off the motor, the magnet and the power, in that particular order, when work is finished and before removing the battery.

MAINTENANCE

Your power tool has been designed to operate over a long period of time with a minimum of maintenance. Continuous satisfactory operation depends upon proper tool care and regular cleaning.



WARNING: To reduce the risk of serious personal injury, turn tool off and disconnect battery pack before making any adjustments or removing/installing attachments or accessories. An accidental start-up can cause injury.

The charger and battery pack are not serviceable.



Lubrication

Your power tool requires no additional lubrication.

Tool Connect™ Chip (Fig. L)

Optional Accessory



WARNING: To reduce the risk of serious personal injury, turn unit off and remove the battery pack before making any adjustments or removing/installing attachments or accessories. An accidental start-up can cause injury.

Your tool is Tool Connect™ Chip ready and has a location for installation of a Tool Connect™ Chip.

Tool Connect™ chip ❶ communicates with an optional application for your smart device (such as a smart phone or tablet) that connects the device to utilize the mobile application for inventory management functions.

Refer to **Tool Connect™ Chip Instruction Sheet** for more information.

Installing the Tool Connect™ Chip

1. Remove the retaining screws ❸4 that hold the Tool Connect™ Chip protective cover ❸6 into the tool.
2. Remove the protective cover and insert the Tool Connect™ Chip into the empty pocket ❸5.
3. Ensure that the Tool Connect™ Chip is flush with the housing. Secure it with the retaining screws and tighten the screws.
4. Refer to **Tool Connect™ Chip Instruction Sheet** for further instructions.

Cleaning



WARNING: Blow dirt and dust out of all air vents with clean, dry air at least once a week. To minimize the risk of eye injury, always wear ANSI Z87.1 approved eye protection when performing this procedure.



WARNING: Never use solvents or other harsh chemicals for cleaning the non-metallic parts of the tool. These chemicals may weaken the plastic materials used in these parts. Use a cloth dampened only with water and mild soap. Never let any liquid get inside the tool; never immerse any part of the tool into a liquid.

Optional Accessories



WARNING: Since accessories, other than those offered by DEWALT, have not been tested with this product, use of such accessories with this tool could be hazardous. To reduce the risk of injury, only DEWALT recommended accessories should be used with this product.

Consult your dealer for further information on the appropriate accessories.

Protecting the Environment



Separate collection. Products and batteries marked with this symbol must not be disposed of with normal household waste.

Products and batteries contain materials that can be recovered or recycled reducing the demand for raw materials. Please recycle electrical products and batteries according to local provisions. Further information is available at www.2helpU.com.

Rechargeable Battery Pack

This long life battery pack must be recharged when it fails to produce sufficient power on jobs which were easily done before. At the end of its technical life, discard it with due care for our environment:

- Run the battery pack down completely, then remove it from the tool.
- Li-Ion cells are recyclable. Take them to your dealer or a local recycling station. The collected battery packs will be recycled or disposed of properly.

Speed (RPM) and Drill Settings (with 9Ah pack)

Cutter Size	Mild Steel	Iron Plate
14 mm–16 mm	600–1000 RPM	800–1200 RPM
	High Gear, Speed 4–5	High Gear, Speed 5
16 mm–21 mm	480–800 RPM	640–960 RPM
	High Gear, Speed 3–5	High Gear, Speed 4–5
21 mm–25 mm	400–660 RPM	530–800 RPM
	High Gear, Speed 3–4	High Gear, Speed 3–5
25 mm–30 mm	320–530 RPM	420–640 RPM
	Low Gear, Speed 4–5	High Gear, Speed 3–4
30 mm–35 mm	270–460 RPM	360–550 RPM
	Low Gear, Speed 4–5	Low Gear, Speed 4–5
35 mm–40 mm	230–400 RPM	320–480 RPM
	Low Gear, Speed 3–4	Low Gear, Speed 4–5
40 mm–45 mm	210–320 RPM	280–420 RPM
	Low Gear, Speed 3–4	Low Gear, Speed 3–5
45 mm–50 mm	190–320 RPM	260–380 RPM
	Low Gear, Speed 2–3	Low Gear, Speed 3–4
For 38 mm diameter or thicker than 25 mm and above use a 9Ah pack.		

СВЕРЛИЛЬНЫЙ СТАНОК С МАГНИТНЫМ ОСНОВАНИЕМ DCD1623

Поздравляем!

Вы приобрели инструмент DEWALT. Многолетний опыт, тщательная разработка изделий и инновации делают компанию DEWALT одним из самых надёжных партнеров для пользователей профессионального электроинструмента.

Технические характеристики

		DCD1623
Напряжение	$V_{\text{пост. тока}}$	18
Тип		1
Макс. выходная мощность с батарей 9 Ач	Вт	1100
Число оборотов вперед без нагрузки		
Низкая передача	об/мин.	130–420
Высокая передача	об/мин.	250–810
Число оборотов назад без нагрузки		
Низкая передача	об/мин.	350
Высокая передача	об/мин.	680
Макс. диаметр сверления спиральным сверлом	мм	16
Макс. диаметр сверления полый фрезой	мм	50
Макс. измерение		M14
Макс. глубина реза в стали	мм	50
Держатель насадки (плоский хвостовик)	мм	19
Вес	кг	14,4
Значения шума и/или вибрации (сумма векторов в трех плоскостях) в соответствии с EN62841-1:		
L_{PA} (уровень звукового давления)	дБ(A)	85
L_{WA} (уровень акустической мощности)	дБ(A)	94
K (погрешность для заданного уровня мощности)	дБ(A)	3

Значение шумовой эмиссии и/или эмиссии вибрации, указанное в данном справочном листке, было получено в соответствии со стандартным тестом, приведенным в EN62841, и может использоваться для сравнения инструментов. Кроме того, оно может использоваться для предварительной оценки воздействия вибрации.



ОСТОРОЖНО! Заявленное значение шумовой эмиссии и/или эмиссии вибрации относится к основным областям применения инструмента. Однако, если инструмент используется для различных целей, с различными дополнительными принадлежностями или при ненадлежащем уходе, то уровень шума и/или вибрации может измениться. Это может привести к значительному увеличению уровня воздействия вибрации в течение всего рабочего периода.

При расчете приблизительного значения уровня воздействия шума и/или вибрации также необходимо учитывать время, когда инструмент выключен или то время, когда он работает на холостом ходу. Это может привести к значительному снижению уровня воздействия вибрации в течение всего рабочего периода. Определите дополнительные меры техники безопасности для защиты оператора от воздействия шума и/или вибрации, а именно: поддержание инструмента и дополнительных принадлежностей в рабочем состоянии, создание комфортных условий работы (соответствующих вибрации), хорошая организация рабочего места.

Декларация о соответствии нормам ЕС Директива по механическому оборудованию



Сверлильный станок с магнитным основанием DCD1623

DEWALT заявляет, что продукция, описанная в разделе «Технические характеристики» соответствует: 2006/42/EC, EN62841-1:2015.

Эти продукты также соответствуют Директивам 2014/30/EU и 2011/65/EU. Для получения дополнительной информации обратитесь в компанию DEWALT по адресу, указанному ниже или приведенному на задней стороне обложки руководства. Неподписавший несет ответственность за составление технической документации и составил данную декларацию по поручению компании DEWALT.

Маркус Ромпел (Markus Rompel)
Вице-президент по инженерным разработкам, PTE-Europe
DEWALT, Richard-Klinger-Straße 11,
65510, Idstein, Germany
29.04.2022



ВНИМАНИЕ: Во избежание риска получения травм ознакомьтесь с инструкцией.

Обозначения: правила техники безопасности

Ниже описывается уровень опасности, обозначаемый каждым из предупреждений. Прочитайте руководство и обратите внимание на данные символы.



ОПАСНО: Обозначает опасную ситуацию, которая неизбежно приведет к серьезной травме или

Батареи				Зарядные устройства/время зарядки (мин)***									
Кат. №	V _{пост. тока}	Ah	Вес (kg)	DCB104	DCB107	DCB112	DCB113	DCB115	DCB116	DCB117	DCB118	DCB132	DCB119
DCB547G	18/54	9.0/3.0	1.46	75*	420	270	220	135*	110*	60	75*	135*	X
DCB184G	18	5.0	0.62	75/50**	240	150	120	75	75/60**	75/50**	75/50**	75	150

*Код даты 201811475В или новее

**Код даты 201536 или новее

**Battery charge times matrix provided for guidance only; charge times will vary depending on temperature and condition of batteries.

смертельному исходу, в случае несоблюдения соответствующих мер безопасности.



ВНИМАНИЕ: Указывает на потенциально опасную ситуацию, которая, в случае несоблюдения соответствующих мер безопасности, может привести к **серьезной травме или смертельному исходу**.



ПРЕДУПРЕЖДЕНИЕ: Указывает на потенциально опасную ситуацию, которая, в случае несоблюдения соответствующих мер безопасности **может** стать причиной травм **средней или легкой степени тяжести**.

ПОЯСНЕНИЕ: Указывает на практики, использование которых не связано с получением травмы, но если ими пренебречь, могут привести к **порче имущества**.



Указывает на риск поражения электрическим током.



Указывает на риск возгорания.

ОБЩИЕ ПРАВИЛА ТЕХНИКИ БЕЗОПАСНОСТИ ПРИ ИСПОЛЬЗОВАНИИ ЭЛЕКТРОИНСТРУМЕНТОВ



ВНИМАНИЕ: Прочитайте и просмотрите все предупреждения, инструкции, иллюстрации и спецификации по данному электроинструменту. Несоблюдение всех приведенных ниже инструкций может стать причиной поражения электрическим током, возгорания и/или тяжелой травмы.

СОХРАНИТЕ ВСЕ ИНСТРУКЦИИ ДЛЯ ПОСЛЕДУЮЩЕГО ИСПОЛЬЗОВАНИЯ

Термин «электроинструмент» в предупреждениях относится к работающим от сети (проводным) электроинструментам или работающим от аккумуляторной батареи (беспроводным) электроинструментам.

1) Безопасность на рабочем месте

- Следите за чистой и хорошим освещением на рабочем месте.** Захламленное или плохо освещенное рабочее место может стать причиной несчастного случая.
- Запрещается работать с электроинструментами во взрывоопасных местах, например, вблизи легковоспламеняющихся жидкостей, газов**

и пыли. Искры, которые появляются при работе электроинструментов могут привести к воспламенению пыли или паров.

- Следите за тем, чтобы во время работы с электроинструментом в зоне работы не было посторонних и детей.** Отвлекаясь от работы вы можете потерять контроль над инструментом.

2) Электробезопасность

- Штепсельная вилка электроинструмента должна соответствовать розетке. Никогда не меняйте вилку инструмента. Запрещается использовать переходники к вилкам для электроинструментов с заземлением.**
Использование оригинальных штепсельных вилок, соответствующих типу сетевой розетки снижает риск поражения электрическим током.
- Избегайте контакта с заземленными поверхностями, такими как трубы, радиаторы и холодильники.** Если вы будете заземлены, увеличивается риск поражения электрическим током.
- Запрещается оставлять электроинструмент под дождем и в местах повышенной влажности.**
При попадании воды в электроинструмент риск поражения электротоком возрастает.
- Берегите кабель от повреждений. Никогда не используйте кабель для переноски инструмента, не тяните за него, пытайтесь отключить инструмент от сети. Держите кабель подальше от источников тепла, масла, острых углов или движущихся предметов.**
Поврежденный или запутанный кабель питания повышает риск поражения электрическим током.
- При работе с электроинструментом на открытом воздухе используйте удлинитель, подходящий для использования на улице.**
Использование кабеля питания, предназначенного для использования вне помещения, снижает риск поражения электрическим током.
- Если использование электроинструмента в условиях повышенной влажности неизбежно, используйте устройства защитного отключения (УЗО) для защиты сети.**
Использование УЗО сокращает риск поражения электрическим током.

3) Обеспечение индивидуальной безопасности

- a) **Будьте внимательны, смотрите, что делаете и не забывайте о здравом смысле при работе с электроинструментом. Запрещается работать с электроинструментом в состоянии усталости, наркотического, алкогольного опьянения или под воздействием лекарственных препаратов.** Невнимательность при работе с электроинструментом может привести к серьезным телесным повреждениям.
- b) **Используйте индивидуальные средства защиты. Всегда используйте защитные очки.** Средства защиты, такие как пылезащитная маска, обувь с нескользящей подошвой, каска и защитные наушники, используемые при работе, уменьшают риск получения травм.
- c) **Примите меры для предотвращения случайного включения. Перед тем как подключить электроинструмент к сети и/или аккумуляторной батарее, взять инструмент или перенести его на другое место, убедитесь в том, что выключатель находится в положении «Выкл.».** Если при переноске электроинструмента он подключен к сети, и при этом ваш палец находится на выключателе, это может стать причиной несчастных случаев.
- d) **Уберите все регулировочные или гаечные ключи перед включением электроинструмента.** Ключ, оставленный на вращающейся части электроинструмента, может привести к травме.
- e) **Не пытайтесь дотянуться до слишком удаленных поверхностей. Обувь должна быть удобной, чтобы вы всегда могли сохранять равновесие.** Это позволит лучше контролировать электроинструмент в непредвиденных ситуациях.
- f) **Одевайтесь соответствующим образом. Избегайте носить свободную одежду и ювелирные украшения. Следите за тем, чтобы волосы и одежда не попадали под движущиеся детали.** Возможно наматывание свободной одежды, ювелирных изделий и длинных волос на движущиеся детали.
- g) **При наличии устройств для подключения оборудования для удаления и сбора пыли необходимо обеспечить правильность их подключения и эксплуатации.** Использование устройств для пылеудаления сокращает риски, связанные с пылью.
- h) **Не позволяйте хорошему знанию от частого использования инструментов стать причиной самонадеянности и игнорирования правил техники безопасности.** Небрежное действие может повлечь серьезные травмы за долю секунды.

4) Эксплуатация электроинструмента и уход за ним

- a) **Избегайте чрезмерной нагрузки электроинструмента. Используйте электроинструмент в соответствии с назначением.** Правильно подобранный электроинструмент выполнит работу более эффективно и безопасно при стандартной нагрузке.
- b) **Не пользуйтесь инструментом, если не работает выключатель.** Любой инструмент, управлять выключением и включением которого невозможно, опасен, и его необходимо отремонтировать.
- c) **Перед выполнением любых настроек, сменной аксессуаров или прежде чем убрать инструмент на хранение, отключите его от сети и/или снимите с него аккумуляторную батарею, если ее можно снять.** Такие превентивные меры безопасности сокращают риск случайного включения электроинструмента.
- d) **Храните электроинструмент в недоступном для детей месте и не позволяйте работать с инструментом людям, не имеющим соответствующих навыков работы с такого рода инструментами.** Электроинструмент представляет опасность в руках неопытных пользователей.
- e) **Поддерживайте электроинструмент и принадлежности в исправном состоянии. Проверьте, не нарушена ли центровка или не заклинены ли движущиеся детали, нет ли повреждений или иных неисправностей, которые могли бы повлиять на работу электроинструмента. В случае обнаружения повреждений, прежде чем приступить к эксплуатации электроинструмента, его нужно отремонтировать.** Большинство несчастных случаев происходит из-за электроинструментов, которые не обслуживаются должным образом.
- f) **Содержите режущий инструмент в остро заточенном и чистом состоянии.** Вероятность заклинивания инструмента, за которым следят должным образом и который хорошо заточен, значительно меньше, а работать с ним легче.
- g) **Используйте электроинструменты, принадлежности и насадки в соответствии с данными инструкциями, принимая во внимание условия работы и характер выполняемой работы.** Использование электроинструмента для выполнения операций, для которых он не предназначен, может привести к созданию опасных ситуаций.
- h) **Все рукоятки и поверхности захватывания должны быть сухими и без следов смазки.** Скользкие рукоятки и поверхности захватывания не позволяют обеспечить безопасность

работы и управления инструментом в непредвиденных ситуациях.

5) Использование аккумуляторных электроинструментов и уход за ними

- a) **Используйте для зарядки аккумуляторной батареи только указанное производителем зарядное устройство.** Использование зарядного устройства определенного типа для зарядки других батарей может привести к возгоранию.
- b) **Используйте для электроинструмента только батареи указанного типа.** Использование других аккумуляторных батарей может стать причиной травмы и пожара.
- c) **Оберегайте батарею от попадания в нее скрепок, монет, ключей, гвоздей, болтов или других мелких металлических предметов, которые могут вызывать замыкание контактов.** Короткое замыкание контактов аккумуляторной батареи может привести к пожару или получению ожогов.
- d) **При повреждении батареи, из нее может вытечь электролит. Не прикасайтесь к нему. При случайном контакте с электролитом смойте его водой. При попадании электролита в глаза обратитесь за медицинской помощью.** Жидкость, находящаяся внутри батареи, может вызвать раздражение или ожоги.
- e) **Не используйте поврежденные или измененные аккумуляторные батареи или инструменты.** Поврежденные или измененные аккумуляторные батареи могут работать непредсказуемо, что может привести к возгоранию, взрыву или риску получения травм.
- f) **Не подвергайте аккумуляторные батареи или инструмент воздействию огня или повышенной температуры.** Открытый огонь или воздействие высокой температуры выше 130 °C может привести к взрыву.
- g) **Следуйте всем инструкциям по зарядке и не заряжайте аккумуляторную батарею или инструмент вне температурного диапазона, указанного в инструкции.** Неправильная зарядка или зарядка вне указанного температурного диапазона может привести к повреждению батареи и увеличить риск возгорания.

6) Обслуживание

- a) **Обслуживание электроинструмента должен проводить квалифицированный специалист с использованием только оригинальных запасных частей.** Это позволит обеспечить безопасность обслуживаемого электрифицированного инструмента.
- b) **Не выполняйте обслуживание поврежденных аккумуляторных батарей.** Обслуживание аккумуляторных батарей должно выполняться только производителем или авторизованными поставщиками услуг.

Дополнительные специальные правила безопасности при работе сверлильными станками

- Держите пальцы на безопасном расстоянии от зоны сверления при работающем инструменте. Контакт с вращающимися деталями или стружкой может привести к получению травмы.
- Всегда используйте защитный щиток. Перед включением станка убедитесь, что щиток надежно закрыт.
- Всегда используйте страховочную цепь.
- Магнитное основание допустимо использовать на металлической поверхности металла толщиной не менее 10 мм, без зазора между основанием и монтажной поверхностью. Неровности, облицовка и краска на поверхности создают воздушную прослойку. Постарайтесь свести ее к минимуму.
- Всегда размещайте станок на ровной поверхности. Не крепите магнитное основание на объектах малых размеров и с неровной поверхностью.
- Всегда размещайте станок на поверхность, очищенную от стружки, осколков и грязи.
- Следите, чтобы на магнитном основании не было мусора и железной стружки.
- Не запускайте станок до тех пор, пока он не собран и настроен согласно правилам, изложенным в данном руководстве по эксплуатации.
- Не запускайте станок, предварительно не убедившись, что магнитное основание прочно закреплено на рабочей поверхности.
- Отрегулируйте стол, чтобы фреза не касалась заготовки до начала сверления. Запрещается производить модификацию, сборку, обработку другими инструментами или любые другие действия с обрабатываемой заготовкой при включенном станке.
- Перед включением станка убедитесь, что все вспомогательные принадлежности подсоединены правильно.
- Всегда используйте рекомендованную скорость для фрезы и обрабатываемого материала.
- Запрещается использование данного станка для обработки заготовок, прошедших электросварку.
- Разрешается использование только подходящей смазочно-охлаждающей жидкости (СОЖ). Используйте стандартную СОЖ для резки металлов, разбавленную водой.
- Не используйте СОЖ при сверлении вертикальных поверхностей или в потолочном положении. В таких случаях, опустите фрезу в смазочно-охлаждающую пасту или используйте специальный спрей.
- Запрещается заливать СОЖ в резервуар, когда он закреплен на станке. СОЖ не должна попадать внутрь моторного отсека.

- Перед началом эксплуатации убедитесь, что щиток патрона функционирует надлежащим образом.
- Убедитесь, что металлическая стружка или смолистые остатки не блокируют ни одну из функций инструмента.
- В случае заклинивания фрезы отсоедините станок от электросети, удалите причину заклинивания и снова включите его.

Остаточные риски

Несмотря на соблюдение соответствующих инструкций по технике безопасности и использование предохранительных устройств, некоторые остаточные риски невозможно полностью исключить. А именно:

- ухудшение слуха;
- риск травм от разлетающихся частиц;
- риск получения ожогов в результате нагревания инструмента в процессе работы;
- риск получения травмы в результате продолжительной работы.

СОХРАНИТЕ НАСТОЯЩЕЕ РУКОВОДСТВО

Зарядные устройства

Зарядные устройства DEWALT не требуют регулировки и максимально просты в использовании.

Электробезопасность

Электродвигатель рассчитан на работу только при одном напряжении сети. Необходимо обязательно убедиться в том, что напряжение источника питания соответствует указанному на шильдике устройства. Необходимо также убедиться в том, что напряжение работы зарядного устройства соответствует напряжению в сети.



Зарядное устройство DEWALT оснащено двойной изоляцией в соответствии с требованиями EN60335; поэтому провод заземления не требуется.

В случае повреждения кабеля питания его необходимо заменить специально подготовленным кабелем, который можно приобрести в сервисных центрах DEWALT.

Использование удлинительного кабеля

Используйте удлинитель только в случаях крайней необходимости. Используйте только утвержденные удлинители промышленного изготовления, рассчитанные на мощность не меньшую, чем потребляемая мощность зарядного устройства (см. **Технические характеристики**). Минимальное поперечное сечение провода электрического кабеля должно составлять 1 мм²; максимальная длина 30 м. При использовании кабельного барабана всегда полностью разматывайте кабель.

Важные инструкции по технике безопасности для всех зарядных устройств

СОХРАНИТЕ НАСТОЯЩЕЕ РУКОВОДСТВО. В данном руководстве содержатся важные инструкции по технике

безопасности для совместимых зарядных устройств (см. **Технические характеристики**).

- Перед тем как использовать зарядное устройство, внимательно изучите все инструкции и предупреждающие этикетки на зарядном устройстве, батарее и инструменте, для которого используется батарея.



ВНИМАНИЕ: Опасность поражения электрическим током. Не допускайте попадания жидкости в зарядное устройство. Это может привести к поражению электрическим током.



ВНИМАНИЕ: Рекомендуется использовать устройство защитного отключения (УЗО) с током утечки до 30 мА.



ВНИМАНИЕ: Опасность ожога. Во избежание травм, следует использовать только аккумуляторные батареи производства DEWALT. Использование батарей другого типа может привести к взрыву, травмам и повреждениям.



ПРЕДУПРЕЖДЕНИЕ: Не позволяйте детям играть с данным устройством.

Пояснение: В определенных условиях, при подключении зарядного устройства к источнику питания, может произойти короткое замыкание контактов внутри зарядного устройства посторонними материалами. Не допускайте попадания в полость зарядного устройства таких токопроводящих материалов, как стальная стружка, алюминиевая фольга или другие металлические частицы и т. п. Всегда отключайте зарядное устройство от источника питания, если в нем нет аккумуляторной батареи. Всегда отключайте зарядное устройство от сети перед тем, как приступить к очистке инструмента

- **НЕ ПЫТАЙТЕСЬ** заряжать батарею с помощью каких-либо других зарядных устройств, кроме тех, которые указаны в данном руководстве. Зарядное устройство и батарея предназначены для совместного использования.
- Эти зарядные устройства не предназначены ни для какого другого использования, помимо зарядки аккумуляторных батарей DEWALT. Использование любых других батарей может привести к возгоранию, поражению электротоком или гибели от электрического шока.
- Не подвергайте зарядное устройство воздействию снега или дождя.
- При отключении зарядного устройства от сети всегда тяните за штепсельную вилку, а не за кабель. Это поможет избежать повреждения штепсельной вилки и розетки.
- Убедитесь в том, что кабель расположен таким образом, чтобы на него не наступили, не споткнулись об него, а также в том, что он не натянут и не может быть поврежден.

- **Не используйте удлинительный кабель без крайней необходимости.** Использование удлинительного кабеля неподходящего типа может привести к пожару или поражению электрическим током.
- **Не ставьте на зарядное устройство никакие предметы и не устанавливайте зарядное устройство на мягкую поверхность, которая может закрыть вентиляционные отверстия и привести к перегреву.** Не размещайте зарядное устройство поблизости от источников тепла. Вентиляция зарядного устройства происходит с помощью отверстий в верхней и нижней части корпуса.
- **Не используйте зарядное устройство при наличии повреждений кабеля или штепсельной вилки** – в этом случае необходимо немедленно их заменить.
- **Не используйте зарядное устройство, если его роняли, либо если оно подвергалось сильным ударам или было повреждено каким-либо иным образом.** Обратитесь в авторизованный сервисный центр.
- **Не разбирайте зарядное устройство. При необходимости обратитесь в специализированный сервисный центр, если нужно провести обслуживание или ремонт инструмента.** Неправильная сборка может стать причиной пожара или поражения электрическим током.
- В случае повреждения кабеля питания его необходимо немедленно заменить у производителя, в его сервисном центре или с привлечением другого специалиста аналогичной квалификации для предотвращения несчастного случая.
- **Перед очисткой отключите зарядное устройство от сети. В противном случае, это может привести к поражению электрическим током.** Извлечение аккумуляторной батареи не приведет к снижению степени этого риска.
- **НИКОГДА не подключайте два зарядных устройства вместе.**
- **Зарядное устройство предназначено для работы при стандартном напряжении сети в 230 В. Не пытайтесь использовать его при каком-либо ином напряжении.** Это не относится к автомобильному зарядному устройству.

Зарядка батареи (Рис. [Fig.] B)

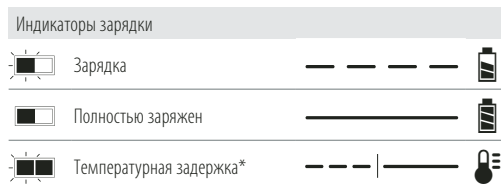
1. Перед установкой батареи подключите зарядное устройство к соответствующей сетевой розетке.
2. Вставьте аккумуляторную батарею **29** в зарядное устройство, убедившись в том, что она хорошо установлена. Красный индикатор зарядки начнет мигать. Это означает, что процесс зарядки начался.
3. По окончании зарядки красный индикатор будет гореть непрерывно, не мигая. Теперь батарея полностью заряжена, и ее можно использовать или оставить в зарядном устройстве. Чтобы извлечь аккумуляторную

батарею из зарядного устройства, нажмите кнопку фиксатора батареи **30** и извлеките батарею.

ПРИМЕЧАНИЕ: Чтобы обеспечить максимальную производительность и срок службы литий-ионных батарей, перед первым использованием полностью зарядите аккумуляторную батарею.

Работа с зарядным устройством

См. состояние зарядки аккумуляторной батареи на приведенных ниже индикаторах.



*В это время красный индикатор продолжит мигать, а когда начнется зарядка, загорится желтый. После того, как батарея достигнет рабочей температуры, желтый индикатор погаснет, и зарядка продолжится.

Зарядное(-ые) устройство(-а) не может(-гут) полностью зарядить неисправную аккумуляторную батарею. При неисправной аккумуляторной батарее, индикатор на зарядном устройстве не загорится.

ПРИМЕЧАНИЕ: Также это может указывать на проблему с зарядным устройством.

Если зарядное устройство указывает на наличие проблемы, проверьте аккумулятор и зарядное устройство в специализированном сервисном центре.

Температурная задержка

Если температура батареи слишком низкая или слишком высокая, зарядное устройство автоматически переходит в режим температурной задержки; при этом зарядка не начинается до тех пор, пока батарея не достигнет нужной температуры. После того, как нужный уровень температуры будет достигнут, устройство перейдет в режим зарядки. Данная функция обеспечивает максимальный срок эксплуатации батареи.

Зарядка холодной батареи занимает больше времени, чем теплой. Аккумуляторная батарея заряжается медленнее во время цикла зарядки и максимального заряда не удастся добиться даже после того, как аккумуляторная батарея будет теплой.

Зарядное устройство DCB118 оснащено внутренним вентилятором для охлаждения батареи. Вентилятор включится автоматически, если батарея нуждается в охлаждении. Не используйте зарядное устройство, если вентилятор не функционирует или если забиты вентиляционные отверстия. Не позволяйте посторонним предметам попадать внутрь зарядного устройства.

Система электронной защиты

Литий-ионные аккумуляторные батареи XR оснащены системой электронной защиты, которая защищает

аккумуляторную батарею от перегрузки, перегрева или глубокой разрядки.

При срабатывании системы электронной защиты инструмент автоматически отключается. В этом случае поставьте литий-ионную батарею на зарядку до тех пор, пока она полностью не зарядится.

Крепление на стену

Данные зарядные устройства могут крепиться на стены или устанавливаться на стол или рабочую поверхность. При креплении на стену расположите зарядное устройство в пределах досягаемости розетки и подальше от углов и других препятствий, которые могут помешать потоку воздуха. Используйте заднюю часть зарядного устройства в качестве образца для положения монтажных болтов на стене. Надежно закрепите зарядное устройство при помощи саморезов (приобретаются отдельно) длиной минимум в 25,4 мм с диаметром шляпки самореза в 7–9 мм, вкрученных в дерево до оптимальной глубины, оставляющей на поверхности примерно 5,5 мм самореза. Совместите отверстия на задней стороне зарядного устройства с выступающими саморезами и полностью вставьте их в отверстия.

Инструкции по очистке зарядного устройства



ВНИМАНИЕ: Опасность поражения электрическим током. Перед чисткой отключите зарядное устройство от сети питания. Грязь и жир можно удалить с наружной поверхности зарядного устройства с помощью тряпки или мягкой неметаллической щетки. Не используйте воду или чистящие растворы. Не допускайте попадания жидкости внутрь инструмента; никогда не погружайте никакие из деталей инструмента в жидкость.

Аккумуляторные батареи

Важные инструкции по технике безопасности для всех батарей

При заказе запасных батарей не забудьте указать номер по каталогу и напряжение.

При покупке батарея заряжена не полностью. Перед тем, как использовать батарею и зарядное устройство, прочтите следующие инструкции по технике безопасности. Затем выполните необходимые действия для зарядки.

ВНИМАТЕЛЬНО ПРОЧИТЕ ВСЕ ИНСТРУКЦИИ

- **Не заряжайте и не используйте батарею во взрывоопасной атмосфере, например, при наличии горючих жидкостей, газов или пыли.** Установка или удаление батареи из зарядного устройства может привести к воспламенению пыли или газов.
- **Никогда не прилагайте больших усилий, вставляя батарею в зарядное устройство. Не вносите изменения в конструкцию батарей с целью установить их в зарядное устройство, к которому они не подходят. Это может привести к серьезным травмам.**

- **Заряжайте батареи только с помощью зарядных устройств DeWALT.**
- **НЕ ПРОЛИВАЙТЕ** на них и не погружайте их в воду или другие жидкости.
- **Не храните и не используйте данное устройство и батарею при температуре выше 40 °C (например, на внешних пристройках или на металлических поверхностях зданий в летнее время).**
- **Не сжигайте батареи, даже поврежденные или полностью отработавшие.** При попадании в огонь батареи могут взорваться. При сжигании литий-ионных батарей образуются токсичные вещества и газы.
- **При попадании содержимого батареи на кожу, немедленно промойте это место водой с мылом.** При попадании содержимого батареи в глаза, необходимо промыть открытые глаза проточной водой в течение 15 минут или до тех пор, пока не пройдет раздражение. При необходимости обращения к врачу, может потребоваться следующая информация: электролит представляет собой смесь жидких органических углекислых и литиевых солей.
- **При вскрытии батареи, ее содержимое может вызвать раздражение дыхательных путей.** Обеспечьте наличие свежего воздуха. Если симптомы сохраняются, обратитесь к врачу.



ВНИМАНИЕ: Опасность ожога. Содержимое батареи может воспламениться при попадании искр или огня.



ВНИМАНИЕ: Ни в коем случае не разбирайте батарею. При наличии трещин или других повреждений батареи, не устанавливайте ее в зарядное устройство. Не роняйте батарею и не подвергайте ее ударам или другим повреждениям. Не используйте батарею или зарядное устройство после удара, падения или получения каких-либо других повреждений (например, после того, как ее проткнули гвоздем, ударили молотком или наступили на нее). Это может привести к удару или поражению электрическим током. Поврежденные батареи необходимо вернуть в сервисный центр для повторной переработки.



ВНИМАНИЕ: Риск воспламенения. Избегайте замыкание выводов батарей металлическими предметами во время хранения или переноски. Например, не кладите аккумуляторные батареи в передники, карманы, ящики для инструментов, выдвижные ящики и т. п. с гвоздями, гайками, ключами и т. п.



ПРЕДУПРЕЖДЕНИЕ: Когда устройство не используется, кладите его на бок на устойчивую поверхность в таком месте, где оно не может упасть и об него нельзя споткнуться. Некоторые устройства

с батареями большого размера, стоят сверху на батарее, и могут легко упасть.

Транспортировка



ВНИМАНИЕ: Риск воспламенения. При транспортировке аккумуляторных батарей может произойти возгорание, если терминалы аккумуляторных батарей случайно будут замкнуты электропроводящими материалами. При транспортировке аккумуляторных батарей убедитесь в том, что терминалы защищены и хорошо изолированы от материалов, контакт с которыми может привести к короткому замыканию.

ПРИМЕЧАНИЕ: Литий-ионные аккумуляторные батареи запрещается сдавать в багаж.

Батареи DEWALT соответствуют всем применимым правилам транспортировки, как предусмотрено промышленными и юридическими стандартами, включая рекомендации ООН по транспортировке опасных грузов; Ассоциация международных авиаперевозчиков (IATA) правила перевозки опасных грузов, Международные правила перевозки опасных грузов морским путем (IMDG), и европейское соглашение о международной дорожной перевозке опасных грузов (ADR). Литий-ионные элементы и аккумуляторные батареи были протестированы в соответствии с разделом 38.3 Рекомендаций ООН по транспортировке опасных грузов руководства по тестами и критериям.

В большинстве случаев транспортировка аккумуляторных батарей DEWALT не попадает под классификацию, поскольку они не являются опасными материалами Класса 9. В целом, полностью под правила Класса 9 подпадают только перевозки литий-ионных батарей с энергоемкостью выше 100 Ватт час (Вт ч). Энергоемкость всех литий-ионных аккумуляторных батарей в Ватт-часах указана на упаковке. Кроме того, из-за сложности правил, DEWALT не рекомендует перевозку литий-ионных батарей по воздуху вне зависимости от их энергоемкости. Поставки инструментов с батареями (комбинированные наборы) могут перевозиться по воздуху согласно исключениям, если энергоемкость батареи не превышает 100 Вт ч.

Независимо от того, является ли перевозка исключением или выполняется по правилам, перевозчик должен уточнить последние требования к упаковке, маркировке и оформлению документации.

Информация, изложенная в данном руководстве обоснована и на момент создания данного документа может считаться точной. Но эта гарантия не является ни выраженной, ни подразумеваемой. Покупатель должен обеспечить то, что бы его деятельность соответствовала всем применимым законам.

Транспортировка батареи FLEXVOLT™

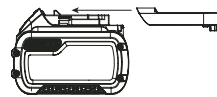
Батарея DEWALT FLEXVOLT™ оснащена двумя режимами: **эксплуатация** и **транспортировка**.

Режим эксплуатации: если батарея FLEXVOLT™ используется отдельно или в изделии DEWALT на 18 В, то

она будет работать в качестве батареи 18 В. Если батарея FLEXVOLT™ используется в изделии на 54 В или 108 В (две батареи 54 В), то она будет работать в качестве батареи 54 В.

Режим транспортировки: если к батарее FLEXVOLT™ прикреплена крышка, то батарея находится в режиме транспортировки. Сохраните крышку для транспортировки.

При режиме транспортировки ряды элементов электрически отсоединяются внутри батареи, что в итоге дает 3 батареи с более низкой энергоемкостью в ватт-часах (Вт ч) по сравнению с 1 батареей с более высокой емкостью в ватт-часах. Данное увеличенное количество в 3 батареи с более низкой энергоемкостью может исключить комплект из некоторых ограничений на перевозку, налагаемых на батареи с более высокой энергоемкостью.



Например, энергоемкость в режиме транспортировки указана как 3 × 36 Вт ч, что может означать 3 батареи с емкостью

Пример маркировки режимов эксплуатации и транспортировки



в 36 Вт ч каждая. Энергоемкость в режиме эксплуатации указана как 108 Вт ч (подразумевается 1 батарея).

Рекомендации по хранению

1. Лучшим местом для хранения является прохладное и сухое место, защищенное от прямых солнечных лучей, высокой или низкой температуры. Для оптимальной работы и продолжительного срока службы, храните неиспользуемые аккумуляторные батареи при комнатной температуре.
2. Для достижения максимальных результатов при продолжительном хранении рекомендуется полностью зарядить батарейный комплект и хранить его в прохладном сухом месте вне зарядного устройства.

ПРИМЕЧАНИЕ: Аккумуляторные батареи не должны храниться в полностью разряженном состоянии. Перед использованием аккумуляторная батарея требует повторной зарядки.

Маркировка на зарядном устройстве и аккумуляторной батарее

Помимо пиктограмм, используемых в данном руководстве, на зарядном устройстве и батарее имеются следующие обозначения:



Перед началом работы прочтите руководство по эксплуатации.



Чтобы узнать время зарядки, см. **Технические характеристики**.



Не касайтесь токопроводящими предметами контактов батареи и зарядного устройства.



Не пытайтесь заряжать поврежденную батарею.



Не подвергайте электроинструмент или его элементы воздействию влаги.



Немедленно заменяйте поврежденный кабель питания.



Зарядку осуществляйте только при температуре от 4 °C до 40 °C.



Для использования внутри помещений.



Утилизируйте отработанные батареи безопасным для окружающей среды способом.



Заряжайте аккумуляторные батареи DeWALT только с помощью соответствующих зарядных устройств DeWALT. Зарядка иных аккумуляторных батарей, кроме DeWALT на зарядных устройствах DeWALT может привести к возгоранию аккумуляторных батарей и возникновению других опасных ситуаций.



Не сжигайте аккумуляторную батарею.



ЭКСПЛУАТАЦИЯ (без крышки для транспортировки). Пример: энергоемкость указана как 108 Вт ч (1 батарея с 108 Вт ч).



ТРАНСПОРТИРОВКА (с крышкой для транспортировки). Пример: энергоемкость указана как 3 x 36 Вт ч (3 батареи по 36 Вт ч).

Тип батареи

Модели, работающие от аккумуляторных батарей 18 В: DCD1623

Могут использоваться следующие типы батарей: DCB184G, DCB547G. См. в разделе **«Технические характеристики»** более подробную информацию.

Комплект поставки

В упаковку входят:

- 1 Сверлильный станок с магнитным основанием
- 1 Ключевой патрон 16 мм
- 1 Патронный ключ
- 1 Емкость со смазочно-охлаждающей жидкостью с трубкой
- 1 Защитный щиток
- 1 Страховочная цепь
- 2 Штифта
- 1 Набор рукоятки подачи
- 1 Кронштейн для емкости со смазочно-охлаждающей жидкостью
- 1 Шестигранный ключ
- 1 Гаечный ключ
- 2 Барашковых болта
- 1 Чемодан
- 1 Руководство по эксплуатации

ПРИМЕЧАНИЕ: Аккумуляторные батареи и зарядные устройства не входят в комплект поставки для моделей N. Аккумуляторные батареи и зарядные устройства не входят в комплект поставки для моделей NT. Модели B оснащены аккумуляторной батареей Bluetooth®.

ПРИМЕЧАНИЕ: Словесный товарный знак и логотип Bluetooth® являются зарегистрированными товарными знаками Bluetooth®, SIG, Inc. любое использование этих знаков DeWALT осуществляется на основании лицензии. Другие торговые марки и названия принадлежат их владельцам.

- Проверьте инструмент, детали и дополнительные принадлежности на предмет повреждений, которые могли произойти во время транспортировки.
- Перед эксплуатацией внимательно прочтите данное руководство.

Маркировка инструмента

На инструмент нанесены следующие обозначения:



Перед началом работы прочтите руководство по эксплуатации.



Используйте защитные наушники.



Используйте защитные очки



Видимое излучение. Не направляйте луч в глаза.



Не используйте этот инструмент, если у вас или у окружающих есть кардиостимулятор или другие медицинские имплантаты.



Всегда используйте страховочную цепь. Закрепляйте инструмент на заготовке.

Местоположение кода даты (Рис. В)

Код даты **44**, который также включает год изготовления, напечатан внутри батарейного отсека.

Пример:

2022 XX XX

Год и неделя изготовления

Описание (Рис. А)



ВНИМАНИЕ: Никогда не вносите изменения в конструкцию электроинструмента или какой-либо его части. Это может привести к повреждениям или травмам.

- | | |
|--------------------------------------|-------------------------------------|
| 1 Пусковой выключатель | 5 Переключатель передач |
| 2 Рычаг включения магнита | 6 Рукоятка подачи |
| 3 Переключатель направления движения | 7 Ступица рукоятки подачи |
| 4 Переключатель скоростей | 8 Отпирающая кнопка рукоятки подачи |

- 9 Кнопка светодиодной подсветки
- 10 19 мм быстрозажимной патрон Weldon
- 11 16 мм Ключевой патрон
- 12 Рычаг регулировки высоты двигателя
- 13 Кронштейн для емкости со смазочно-охлаждающей жидкостью
- 14 Емкость со смазочно-охлаждающей жидкостью
- 15 Трубка для смазочно-охлаждающей жидкости
- 16 Соединитель для смазочно-охлаждающей жидкости
- 17 Регулятор подачи смазочно-охлаждающей жидкости
- 18 Крышка емкости со смазочно-охлаждающей жидкости
- 19 Гайка соединителя
- 20 Магнитное основание
- 21 Место крепления емкости со смазочно-охлаждающей жидкостью
- 22 Ручка для переноски
- 23 Кнопка разблокировки ручки для переноски
- 24 Индикатор включения магнита и защиты гироскопа
- 25 Защитный щиток
- 26 Страховочная цепь

Назначение

Ваш сверлильный станок с магнитным основанием DCD1623 предназначен для высверливания отверстий в металлических конструкциях. Запрещается сверлить заготовки из цветных металлов.


НЕ ИСПОЛЬЗУЙТЕ в условиях повышенной влажности или поблизости от легковоспламеняющихся жидкостей или газов.


Этот сверлильный станок является профессиональным электроинструментом.

НЕ ПОЗВОЛЯЙТЕ детям прикасаться к инструменту. Использование инструмента неопытными пользователями должно происходить под контролем опытного лица.


- **Малолетние дети и люди с ограниченными физическими возможностями.** Этот инструмент не предназначен для использования малолетними детьми или людьми с ограниченными физическими возможностями кроме как под контролем лица, отвечающего за их безопасность.
- Данный инструмент не предназначен для использования лицами (включая детей) с ограниченными физическими, психическими и умственными возможностями, не имеющими опыта, знаний или навыков работы с ним, если они не находятся под наблюдением лица, ответственного за их безопасность. Никогда не оставляйте детей с этим инструментом без присмотра.

СБОРКА И РЕГУЛИРОВКА

-  **ВНИМАНИЕ:** Чтобы снизить риск получения серьезной травмы, необходимо выключить инструмент и отсоединить батарею, прежде чем выполнять какую-либо регулировку либо удалять/устанавливать какие-либо насадки или дополнительные принадлежности. Случайный запуск может привести к травме.

-  **ВНИМАНИЕ:** Используйте только зарядные устройства и аккумуляторные батареи марки DeWALT.

Переноска сверлильного станка (Рис. А)

-  **ВНИМАНИЕ:** Для снижения риска получения тяжелой травмы выключайте инструмент и извлекайте из него аккумуляторную батарею перед переноской, каждой операцией по регулировке, чистке, техническому обслуживанию, а также перед снятием/установкой принадлежностей или насадок. Случайный запуск может привести к травме.

Для удобства переноски инструмента с места на место имеется ручка для переноски **22**, расположенная в верхней части инструмента.

Сборка станка (Рис. А, G)

1. Установите рукоятку подачи.
2. Установите защитный щиток.
3. Если необходимо, подключите систему смазки и охлаждения.
4. Данный станок имеет вогнутое основание, что позволяет устанавливать его на твердую поверхность или трубу диаметром не менее 101 мм и толщиной не менее 9,5 мм. Удалите все частицы, которые будут препятствовать полному контакту между магнитным основанием **20** и монтажной поверхностью.
5. Установите и затяните страховочную цепь **26**.

Сборка рукоятки подачи (Рис. С)

Рукоятка подачи легко собирается и устанавливается как с правой, так и с левой стороны станка.

1. Винтите рукоятки **6** в ступицу **7**. Убедитесь, что рукоятки надежно затянуты.
2. Удерживая нажатой отпирающую кнопку ступицы **8**, вставьте хвостовик ступицы в отверстие **33**.
3. Отпустите кнопку.


Установка защитного щитка (Рис. D)

-  **ВНИМАНИЕ:** Всегда используйте защитный щиток.

1. Совместите прорези щитка **25** с отверстиями для крепления щитка на станке.
2. Вставьте барашковые болты **39** (из пакета с дополнительными принадлежностями) в отверстия, расположенные в передней части рамы.

Система смазки (Рис. А, Е)

Заполнение емкости для смазочно-охлаждающей жидкости

-  **ВНИМАНИЕ:** Запрещается заливать СОЖ в емкость, закрепленную на кронштейне. СОЖ не должна попадать внутрь моторного отсека. Это может привести к поражению электрическим током.

ВНИМАНИЕ: Следите, чтобы СОЖ не попала в батарейный отсек или на аккумуляторную батарею.

ПРИМЕЧАНИЕ: Если на аккумуляторную батарею попала смазочно-охлаждающая жидкость, немедленно очистите батарею. Смазочно-охлаждающая жидкость, используемая с данным инструментом, может повредить корпус некоторых аккумуляторных батарей. Настоятельно рекомендуется использовать аккумуляторные батареи с маслостойким корпусом (стеклонаполненный нейлон, обозначенный суффиксом G в номере модели).

ПРИМЕЧАНИЕ: Система смазки предназначена для дозирования смазочно-охлаждающих жидкостей, специально предназначенных для сверления. Другие жидкости могут повредить систему.

1. Поверните регулятор подачи **17** против часовой стрелки, чтобы закрыть его.
2. Снимите емкость **14** с магнитного кронштейна **13**.
3. Отверните крышку **18**.
4. Наполните емкость смазочно-охлаждающей жидкостью, разбавленной водой.
5. Закрутите крышку.
6. Поместите емкость на магнитный кронштейн **13**.

Установка системы смазки (Рис. А, Е)

ВНИМАНИЕ: Запрещается использовать систему смазки при вертикальном применении или использовании над головой.

Используйте систему смазки только при горизонтальном сверлении, как показано на Рис. А.

1. Установите емкость со смазочно-охлаждающей жидкостью **14** на магнитный кронштейн **13**, затем передвиньте магнитный кронштейн с емкостью на одно из мест крепления **21**.
2. Подсоедините трубку **15** к соединителю **16** на коробке передач.
 - a. Сначала гаечным ключом отвинтите гайку **19**, затем проденьте трубку через гайку **15**.
 - b. Вставьте трубку в соединитель **16** и гаечным ключом затяните гайку.
 - c. Чтобы снять, отвинтите гайку и вытяните трубку из соединителя.

ПРИМЕЧАНИЕ: После извлечения трубки снова затяните гайку на соединителе, чтобы предотвратить ее потерю.

Для использования системы смазки и охлаждения, емкость **14** необходимо заполнить достаточным количеством СОЖ.

Смазка при горизонтальном применении (Рис. А, Е)

1. Отрегулируйте подачу СОЖ с помощью регулятора **17**.
2. Увеличивайте количество подаваемой СОЖ, если стружка становится синей.

Смазка в вертикальном и потолочном положении

Окуните фрезу в смазочную пасту или используйте спрей.

Крепление страховочной цепи (Рис. G)

ВНИМАНИЕ: Всегда используйте страховочную цепь.

ВНИМАНИЕ: Никогда не закрепляйте страховочную цепь, протянув ее через ручку для переноски.

Проденьте предусмотренную страховочную цепь **26** через отверстие для страховочной цепи **28** на станке и вокруг заготовки, после чего закрепите ее на месте.

Установка и извлечение насадки (Рис. F)

Держатель насадок подходит для полых фрез с 19 мм хвостовиком с двумя плоскими сторонами.

ПРЕДУПРЕЖДЕНИЕ: Опасность порезов. Зубья фрезы очень острые.

1. Вставьте направляющий штифт **42** в отверстие в центре хвостовика фрезы.
2. Надавите на быстрозажимной патрон Weldon 19 мм **11**.
3. Вставьте фрезу **43** с направляющим штырем и поверните, чтобы плоская поверхность уперлась в стопорный штифт. Когда плоская поверхность соприкоснется со стопорным штифтом, патрон зафиксируется.
4. Убедитесь, что фреза надежно удерживается в установочном отверстии.
5. Чтобы извлечь фрезу, поднимите быстрозажимной патрон Weldon 19 мм.

3-кулачковый патрон (Рис. F)

Можно установить 3-кулачковый патрон **11** для использования сверлильного станка с насадками различного размера и диаметра. См. в разделе «Установка и извлечение насадки» инструкции по установке.

1. Вставьте патронный ключ **27** в каждое из трех отверстий и затяните в направлении по часовой стрелке. Важно затянуть патрон через все три отверстия, чтобы предотвратить его смещение.
2. Чтобы извлечь насадку, поверните патрон против часовой стрелки только в одном отверстии, затем ослабьте патрон вручную.

ПРИМЕЧАНИЕ: При установке патрона может понадобиться переместить электродвигатель. См. раздел «Регулировка высоты двигателя» для получения инструкций.

См. в разделе «Дополнительные принадлежности» более подробную информацию о дополнительных принадлежностях.

Рычаг включения магнита (Рис. M)

Силу магнитного поля можно переключать с помощью рычага включения магнита **2**.

Перемещение рычага включения магнита в среднее положение увеличивает магнитную мощность до 15%. Эта

функция помогает пользователю закрепить инструмент на месте.

Перемещение рычага включения магнита в левое положение увеличивает магнитную мощность до 100%.



Когда рычаг включения магнита смещен вправо, питание магнита отключается. При перемещении рукоятки слева направо хомут **37** на рукоятке должен быть поднят, чтобы выйти из положения 100% или 15%.



ПРИМЕЧАНИЕ: Инструмент не включится, пока рычаг включения магнита не будет находиться в левом положении на 100%.

Переключатель передач (Рис. J)

 **ПРЕДУПРЕЖДЕНИЕ:** Не меняйте передачи при работающем двигателе.

Данный станок оборудован двухпозиционным переключателем скоростей, чтобы менять соотношение скорости/крутящего момента.

1. Нажмите на кнопку переключателя передач **32** и поверните дисковый переключатель передач **5** на нужный режим.
2. **НИЗКАЯ СКОРОСТЬ/ВЫСОКИЙ КРУТЯЩИЙ МОМЕНТ:**
 Для установки низкой скорости и высокого крутящего момента поверните переключатель передач влево.
ВЫСОКАЯ СКОРОСТЬ/НИЗКИЙ КРУТЯЩИЙ МОМЕНТ:
 Для установки высокой скорости и низкого крутящего момента поверните переключатель передач вправо.

	1	2	3	4	5
	250	370	500	660	810
	130	190	260	340	420

Выбор скорости (Рис. A)

Инструмент способен работать на одной из пяти скоростей для большей универсальности.

1. Чтобы установить более высокую скорость, поворачивайте регулятор скорости **4** на более высокую цифру.
2. Чтобы установить более низкую скорость, поворачивайте регулятор скорости на более низкую цифру.

Если скорость инструмента не изменится, убедитесь, что переключатель скоростей полностью стоит в крайнем переднем или заднем положении.

Рекомендации по выбору скорости и размера насадки см. в таблице **Скорость (об/мин.) и режимы сверления** в конце данного раздела.

Переключатель направления вращения (Рис. K)

Переключатель направления вращения **3** определяет направление вращения насадки.

ПРИМЕЧАНИЕ: Функция вращения назад этого инструмента

используется для отверстий для самонарезных винтов. Скорость при вращении назад будет составлять 350 об/мин. на пониженной передаче и 680 об/мин. на высокой передаче независимо от переменной скорости.

Для установки вращения вперед отпустите пусковой выключатель **1** и переведите переключатель направления вращения в сторону значка вперед **40**.

Для установки вращения назад переведите переключатель направления вращения в сторону значка назад **41**.

Регулировка высоты двигателя (Рис. H)



Для обеспечения большего или меньшего пространства над заготовкой высоту двигателя можно отрегулировать.

1. Ослабьте передвижной рычаг двигателя **12**.
2. Установите двигатель на желаемую высоту.
3. Надежно затяните передвижной рычаг двигателя, фиксируя его на месте.

ПРИМЕЧАНИЕ: На боковых поверхностях рамы расположены три установочных винта **38**, которые можно затягивать или ослаблять, чтобы регулировать легкость перемещения корпуса двигателя с помощью рукоятки подачи **6**.

ЭКСПЛУАТАЦИЯ

Инструкции по использованию


-  **ВНИМАНИЕ:** Всегда следуйте указаниям действующих норм и правил безопасности.
-  **ВНИМАНИЕ:** Чтобы снизить риск получения серьезной травмы, необходимо выключить инструмент и отсоединить батарею, прежде чем выполнять какую-либо регулировку либо удалять/устанавливать какие-либо насадки или дополнительные принадлежности.
Случайный запуск может привести к травме.


Ручка для переноски (Рис. I)

Ручка для переноски имеет две функции:

- Переноска инструмента, находящегося в вертикальном положении.
- Защита аккумуляторной батареи от падения в сложенном положении при использовании инструмента в перевернутом положении.

Установка и извлечение аккумуляторной батареи (Рис. B)

 **ВНИМАНИЕ:** Перед установкой аккумуляторной батареи убедитесь, что пусковой выключатель находится в положении ВЫКЛ.

 **ВНИМАНИЕ:** Держите смазочно-охлаждающую жидкость подальше от аккумуляторной батареи. Контакт со смазочно-охлаждающей жидкостью может привести к растрескиванию корпуса аккумуляторной батареи. Если на аккумуляторную

батарею попала смазочно-охлаждающая жидкость, немедленно очистите батарею.

ПРИМЕЧАНИЕ: Настоятельно рекомендуется использовать аккумуляторные батареи с маслястым корпусом (стеклонаполненный нейлон, обозначенный суффиксом G в номере модели). Для получения наилучших результатов перед использованием убедитесь, что аккумуляторная батарея полностью заряжена.

Чтобы установить аккумуляторную батарею **29** в батарейный отсек **31**, нажмите и удерживайте нажатой кнопку разблокировки ручки для переноски **8** и переведите ручку для переноски **22** в вертикальное положение. Совместите аккумуляторную батарею с направляющими внутри батарейного отсека и вдвиньте ее в отсек таким образом, чтобы она зафиксировалась в инструменте и не выпадала.

Чтобы извлечь аккумуляторную батарею из инструмента, нажмите и удерживайте нажатой кнопку разблокировки ручки для переноски **8** и переведите ручку для переноски **22** в вертикальное положение. Нажмите на опирающую кнопку **30** и извлеките аккумуляторную батарею из батарейного отсека. Вставьте ее в зарядное устройство, как указано в разделе данного руководства, посвященном зарядному устройству.

ПРИМЕЧАНИЕ: Если батарею по-прежнему трудно извлечь, когда ручка для переноски находится в вертикальном положении, нажмите и удерживайте кнопку разблокировки ручки для переноски, а затем немного сдвиньте ручку для переноски в направлении передней части инструмента, чтобы освободить место для извлечения батареи.


Батареи с расходомером (Рис. В)

Некоторые аккумуляторные батареи DEWALT имеют расходомер, который включает в себя три зеленых светодиодных индикатора, показывающих уровень оставшегося заряда аккумуляторной батареи.

Для активирования расходомера нажмите и удерживайте кнопку **45**. Комбинация из трех горящих зеленых светодиодных индикаторов обозначает текущий уровень заряда батареи. Когда уровень заряда аккумуляторной батареи упадет ниже эксплуатационного предела, датчик погаснет, и батарею нужно будет зарядить.

ПРИМЕЧАНИЕ: Расходомер является индикатором только лишь уровня заряда, оставшегося в батарее. Он не является индикатором работоспособности инструмента и его показания могут меняться в зависимости от компонентов продукта, температуры и области применения.

Перед началом работ

 **ВНИМАНИЕ:** Перед каждым использованием проверьте инструмент на наличие изношенных и поврежденных частей. При необходимости замените.

Изготовьте несколько простых изделий из отходов, чтобы почувствовать уверенность при управлении станком.

Включение и выключение (Рис. А)

Для нормальной эксплуатации необходимо включать и выключать станок, пользуясь следующими правилами.

Включение и выключение подачи электропитания



ВНИМАНИЕ: В вертикальном или перевернутом положении инструмент упадет с заготовки, если рычаг включения магнита **НЕ НАХОДИТСЯ** в положении 100%.

Переведите пусковой выключатель **1** вверх (**I**), чтобы запустить инструмент.

ПРИМЕЧАНИЕ: Инструмент не начнет работу, пока магнит не будет задействован на 100%. Загорится оранжевый индикатор, указывающий, что магнит не полностью задействован.

Переведите пусковой выключатель вниз (**0**), чтобы выключить инструмент.

Система электронной муфты E-Clutch® и светодиодный индикатор низкого напряжения (Рис. А)

Инструмент DCD1623 оборудован системой электронной муфты DeWALT E-Clutch®. Данная функция обнаруживает движение инструмента и снижает крутящий момент двигателя в случае необходимости. Индикатор E-Clutch® **24** загорится красным, указывая состояние.

Светодиодная подсветка в передней части магнитного основания **20** начнет мигать, оповещая пользователя о низком напряжении.

ИНДИКАТОР	РАСШИФРОВКА	РЕШЕНИЕ
ВЫКЛ.	Инструмент работает исправно	Следуйте всем предупреждениям и инструкциям при эксплуатации инструмента.
КРАСНЫЙ НЕПРЕРЫВНЫЙ	Система E-Clutch® включена (ЗАДЕЙСТВОВАНА)	Надежно удерживая инструмент, отпустите курковый выключатель. Инструмент снова будет работать исправно при повторном нажатии на пусковой выключатель, а индикатор выключится.
ОРАНЖЕВЫЙ НЕПРЕРЫВНЫЙ	Рычаг включения магнита не находится в положении 100% при включенном выключателе питания.	Переведите рычаг включения магнита в положение 100%.
БЕЛЫЙ МИГАНИЕ	Оповещение о низком напряжении	Приостановите использование инструмента и замените аккумуляторную батарею на полностью заряженную.

Сверление с использованием полых фрез

1. Полые фрезы режут металл только по краю отверстия, в отличие от обычных сверл, которые превращают в стружку весь металл отверстия. В результате, при сверлении полыми фрезами расход энергии меньше, чем при сверлении обычными сверлами.
2. При сверлении полыми фрезами не нужно высверливать направляющее отверстие.



ПРЕДУПРЕЖДЕНИЕ: Не прикасайтесь к фрезе или деталям, расположенным рядом с фрезой, сразу же после использования, так как они могут быть очень горячими и вызвать ожог. Убедитесь, что в рабочей зоне нет посторонних, поскольку там может упасть высверленный из металла диск.

Условия сверления

Легкость сверления зависит от нескольких факторов, включая сопротивление растяжению и истиранию. Хотя прочность и/или твердость металла являются основными факторами, влияющими на обработку металла, необходимо учитывать и другие факторы. Условия сверления зависят как от инструмента, так и от покрытия поверхности. Они также зависят от жесткости инструмента и обрабатываемого металла, смазки и мощности станка. Чем тверже материал, тем ниже скорость сверления. Некоторые мягкие металлы содержат абразивные добавки, приводящие к быстрому износу режущей кромки фрезы на высоких оборотах. Скорость подачи фрезы зависит от твердости, толщины и поверхности металла, а также от мощности станка.

Сверление отверстий (Рис. А)

1. Всегда используйте подходящую смазочно-охлаждающую жидкость (СОЖ) при работе.
2. Опустите защитный щиток **25**, чтобы он закрывал обрабатываемую поверхность.
3. Убедитесь, что острие фрезы или направляющее сверло правильно указывают на центр будущего отверстия.
4. Переведите пусковой выключатель **1** вверх (**I**), чтобы запустить инструмент.
5. Медленно вводите принадлежность в заготовку, используя рукоятку подачи **6**.
6. Немного надавите при врезании, чтобы принадлежность могла сделать начальную канавку.
7. Продолжайте сверлить, прикладывая достаточное давление для достижения плавного постепенного резания. Не прилагайте чрезмерных усилий.
8. Будьте особенно внимательны в тот момент, когда насадка уже почти просверлила отверстие, и не допустите расщепления поверхности.
9. По окончании работы используйте правильный порядок выключения: сначала двигатель, затем магнит и, наконец, электропитание.

ТЕХНИЧЕСКОЕ ОБСЛУЖИВАНИЕ

Электроинструмент имеет длительный срок эксплуатации и требует минимальных затрат на техобслуживание. Для

длительной безотказной работы необходимо обеспечить правильный уход за инструментом и его регулярную очистку.



ВНИМАНИЕ: Чтобы снизить риск получения серьезной травмы, необходимо выключить инструмент и отсоединить батарею, прежде чем выполнять какую-либо регулировку либо удалять/устанавливать какие-либо насадки или дополнительные принадлежности.

Случайный запуск может привести к травме.

Зарядное устройство и аккумуляторные батареи неремонтопригодны.



Смазка

Ваш электроинструмент не требует дополнительной смазки.

Чип Tool Connect™ (Рис. L)

Дополнительная принадлежность



ВНИМАНИЕ: Для снижения риска получения тяжелых травм выключайте инструмент и извлекайте аккумуляторную батарею перед проведением любых действий по регулировке или установке/снятию дополнительных принадлежностей или насадок. Случайный запуск может привести к травме.

Ваш инструмент готов к работе с чипом Tool Connect™ и имеет для его установки специально предназначенное место.

Чип Tool Connect™ **1** взаимодействует с дополнительным приложением для интеллектуального устройства (например, смартфона или планшета), которое обеспечивает соединение устройства с инструментом для использования мобильного приложения для функций управления.

В инструкции к чипу **Tool Connect™ вы найдете** дополнительную информацию.

Установка чипа Tool Connect™

1. Выверните винты **34**, удерживающие защитную крышку чипа Tool Connect™ **36** на инструменте.
2. Снимите защитную крышку и вставьте чип Tool Connect™ в пустое гнездо **35**.
3. Убедитесь, что чип Tool Connect™ находится заподлицо с корпусом инструмента. Зафиксируйте его, затянув винты.
4. В инструкции к чипу **Tool Connect™ вы найдете** дополнительные инструкции.

Чистка



ВНИМАНИЕ: Выдувайте грязь и пыль из всех вентиляционных отверстий сухим, чистым воздухом хотя бы раз в неделю. Чтобы свести к минимуму риск травмирования глаз, при этой процедуре всегда надевайте защитные очки ANSI Z87.1.



ВНИМАНИЕ: Никогда не пользуйтесь растворителями или другими сильнодействующими

химическими веществами для чистки неметаллических частей инструмента. Эти химикаты могут повредить структуру материала, используемого для производства таких деталей. Используйте ткань, смоченную в мягком мыльном растворе. Не допускайте попадания жидкости внутрь устройства; никогда не погружайте никакие из деталей устройства в жидкость.

Дополнительные принадлежности



ВНИМАНИЕ: Поскольку принадлежности, отличные от тех, которые предлагает DEWALT, не проходили тесты на данном изделии, то использование этих принадлежностей может привести к опасной ситуации. Во избежание риска получения травмы, с данным продуктом должны использоваться только рекомендованные DEWALT дополнительные принадлежности.

По вопросу приобретения дополнительных принадлежностей обращайтесь к Вашему дилеру.

Защита окружающей среды



Отдельная утилизация. Изделия и аккумуляторные батареи с данным символом на маркировке запрещается утилизировать с обычными бытовыми отходами.

Изделия и аккумуляторные батареи содержат материалы, которые могут быть извлечены или переработаны, снижая потребность в исходном сырье. Пожалуйста, утилизируйте электрические изделия и аккумуляторные батареи в соответствии с местными нормами. Дополнительная информация доступна по адресу www.2helpU.com.

Аккумуляторная батарея

Данную аккумуляторную батарею с длительным сроком эксплуатации необходимо перезаряжать, когда она перестает обеспечивать питание, необходимое для выполнения определенных работ. По окончании срока эксплуатации ее следует утилизировать, соблюдая при этом необходимые меры по защите окружающей среды:

- полностью разрядите батарею до конца и извлеките ее из инструмента.
- литий-ионные аккумуляторные батареи подлежат вторичной переработке. Сдайте их нашему дилеру или в местный центр вторичной переработки. В этих пунктах батареи будут подвергнуты повторной переработке или правильной утилизации.

Дополнительная информация:

Дата изготовления (код даты) указан на корпусе инструмента. Код даты, который так же включает год изготовления, отштампован на поверхности корпуса изделия. Пример: 2021 46 XX, где 2021 – год изготовления, 46-неделя изготовления, XX – код завода изготовителя. ТОВАР СЕРТИФИЦИРОВАН. Орган по сертификации "РОСТЕСТ-Москва", Адрес: 119049, г. Москва, улица Житная, д. 14, стр. 1; 117418, Москва, Нахимовский просп., 31 (факт.). Тел.: (499) 1292311, (495) 6682893, E-mail: office@rostest.ru
Изготовитель: Изготовитель: Блэк энд Деккер Холдингс ГмбХ, Германия, 65510, Идштайн, ул. Блэк энд Деккер, 40, тел. +496126212790.

Уполномоченное изготовителем юр.лицо: ООО "Стэнли Блэк энд Деккер", 117485, город Москва, улица Обручева, дом 30/1, строение 2, Телефон: + 7 (495) 258-3981, факс: + 7 (495) 258-3984, E-mail: inbox@dewalt.com. Сведения о импортере указаны в сопроводительной документации и/или на упаковке.

Скорость (об/мин.) и режимы сверления (с батареями 9 Ач)

Размер фрезы	Мягкая сталь	Чугунная плита
14 мм - 16 мм	600–1000 об/мин.	800–1200 об/мин.
	Высокая передача, скорость 4–5	Высокая передача, скорость 5
16 мм - 21 мм	480–800 об/мин.	640–960 об/мин.
	Высокая передача, скорость 3–5	Высокая передача, скорость 4–5
21 мм - 25 мм	400–660 об/мин.	530–800 об/мин.
	Высокая передача, скорость 3–4	Высокая передача, скорость 3–5
25 мм – 30 мм	320–530 об/мин.	420–640 об/мин.
	Низкая передача, скорость 4–5	Высокая передача, скорость 3–4
30 мм - 35 мм	270–460 об/мин.	360–550 об/мин.
	Низкая передача, скорость 4–5	Низкая передача, скорость 4–5
35 мм - 40 мм	230–400 об/мин.	320–480 об/мин.
	Низкая передача, скорость 3–4	Низкая передача, скорость 4–5
40 мм - 45 мм	210–320 об/мин.	280–420 об/мин.
	Низкая передача, скорость 3–4	Низкая передача, скорость 3–5
45 мм - 50 мм	190–320 об/мин.	260–380 об/мин.
	Низкая передача, скорость 2–3	Низкая передача, скорость 3–4
Для диаметра 38 мм или толще 25 мм и выше используйте аккумуляторную батарею 9 Ач.		



Приложение к руководству по эксплуатации электрооборудования для определения месяца производства по номеру текущей календарной недели года

Электрооборудование торговых марок "Dewalt", "Stanley", "Stanley FatMAX", "BLACK+DECKER".

Директивы 2014/30/EU ЕВРОПЕЙСКОГО ПАРЛАМЕНТА И СОВЕТА от 26 февраля 2014 г. "О гармонизации законодательства Государств-членов ЕС в области электромагнитной совместимости", 2006/42/ЕС ЕВРОПЕЙСКОГО ПАРЛАМЕНТА И СОВЕТА от 17 мая 2006 г. "О машинах и оборудовании"; 2014/35/EU ЕВРОПЕЙСКОГО ПАРЛАМЕНТА И СОВЕТА от 26 февраля 2014 г. "О гармонизации законодательства государств-членов в области размещения на рынке электрооборудования, предназначенного для использования в определенных пределах напряжения". Серийный выпуск.

ТОВАР СЕРТИФИЦИРОВАН

Орган по сертификации "РОСТЕСТ- Москва", Адрес: 119049, г. Москва, улица Житная, д. 14, стр. 1; 117418, Москва, Нахимовский просп., 31 (фактический); Телефон: (499) 1292311, (495) 6682893, факс: (495) 6682893, E-mail: office@rostest.ru
Изготовитель: Изготовитель: Блэк энд Деккер Холдингс ГмбХ, Германия, 65510, Идштайн, ул. Блэк энд Деккер, 40, тел. +496126212790.

Уполномоченное изготовителем юр.лицо:

ООО "Стэтли Блэк энд Деккер", 117485, город Москва, улица Обручева, дом 30/1, строение 2
Телефон: + 7 (495) 258-3981, факс: + 7 (495) 258-3984, E-mail: inbox@dewalt.com
Сведения о импортере указаны в сопроводительной документации и/или на упаковке

Хранение.

Необходимо хранить в сухом месте, вдали от источников повышенных температур и воздействия солнечных лучей. При хранении необходимо избегать резкого перепада температур. Хранение без упаковки не допускается

Срок службы.

Срок службы изделия составляет 5 лет. Не рекомендуется к эксплуатации по истечении 5 лет хранения с даты изготовления без предварительной проверки.

Дата изготовления (код даты) указана на корпусе инструмента. Код даты, который также включает год изготовления, отштампован на поверхности корпуса изделия.

Пример:

2014 46 XX, где 2014 –год изготовления, 46–неделя изготовления. Определить месяц изготовления по указанной неделе изготовления можно согласно приведенной ниже таблице.

Транспортировка.

Категорически не допускается падение и любые механические воздействия на упаковку при транспортировке. При разгрузке/погрузке не допускается использование любого вида техники, работающей по принципу зажима упаковки.

Перечень критических отказов, возможные ошибочные действия персонала.

Не допускается эксплуатация изделия:

- При появлении дыма из корпуса изделия
- При поврежденном и/или оголенном сетевом кабеле
- при повреждении корпуса изделия, защитного кожуха, рукоятки
- при попадании жидкости в корпус
- при возникновении сильной вибрации
- при возникновении сильного искрения внутри корпуса

Критерии предельных состояний.

- При поврежденном и/или оголенном сетевом кабеле
- при повреждении корпуса изделия

Месяц	Январь	Февраль	Март	Апрель	Май	Июнь	Июль	Август	Сентябрь	Октябрь	Ноябрь	Декабрь	Год производства
Неделя	1	5	9	14	18	23	27	31	36	40	44	49	2018
	2	6	10	15	19	24	28	32	37	41	45	50	
	3	7	11	16	20	25	29	33	38	42	46	51	
	4	8	12	17	21	26	30	34	39	43	47	52	
			13		22			35			48		
Неделя	1	6	10	14	18	23	27	31	36	40	45	49	2019
	2	7	11	15	19	24	28	32	37	41	46	50	
	3	8	12	16	20	25	29	33	38	42	47	51	
	4	9	13	17	21	26	30	34	39	43	48	52	
	5				22			35		44			
Неделя	1	6	10	14	19	23	27	32	36	40	45	49	2020
	2	7	11	15	20	24	28	33	37	41	46	50	
	3	8	12	16	21	25	29	34	38	42	47	51	
	4	9	13	17	22	26	30	35	39	43	48	52	
	5				18		31			44			
Неделя	2	6	10	14	19	23	27	32	36	41	45	49	2021
	3	7	11	15	20	24	28	33	37	42	46	50	
	4	8	12	16	21	25	29	34	38	43	47	51	
	5	9	13	17	22	26	30	35	39	44	48	52	
					18		31		40			1	
Неделя	2	6	10	15	19	23	28	32	36	41	45	49	2022
	3	7	11	16	20	24	29	33	37	42	46	50	
	4	8	12	17	21	25	30	34	38	43	47	51	
	5	9	13	18	22	26	31	35	39	44	48	52	
				14		27			40			1	



DEWALT®



3 ГОДА ГАРАНТИИ

ГАРАНТИЙНЫЕ УСЛОВИЯ

Уважаемый покупатель!

1. Поздравляем Вас с покупкой высококачественного изделия DEWALT и выражаем признательность за Ваш выбор.
2. При покупке изделия требуйте проверки его комплектности и исправности в Вашем присутствии. В комплекте с инструментом должна быть инструкция по эксплуатации и гарантийные условия производителя на русском языке. Сохраняйте на весь срок гарантии Ваш документ, удостоверяющий факт покупки изделия. Убедитесь, что в чеке указаны: фискальный номер чека, модель/наименование изделия, дата продажи и название торговой организации.
3. Во избежание недоразумений убедительно просим Вас перед началом работы с изделием внимательно ознакомиться с инструкцией по его эксплуатации. Правовой основой настоящих гарантийных условий является действующее Законодательство. Гарантийный срок на данное изделие составляет 36 месяцев и исчисляется со дня продажи. В случае устранения недостатков изделия гарантийный срок продлевается на период его нахождения в ремонте. Срок службы изделия составляет 5 лет со дня продажи.
4. В случае возникновения каких-либо проблем в процессе эксплуатации изделия рекомендуем Вам обращаться только в уполномоченные сервисные центры DEWALT, адреса и телефоны которых Вы сможете найти на сайте www.2helpU.com или узнать в магазине. Наши сервисные станции это не только квалифицированный ремонт, но и широкий ассортимент запчастей и принадлежностей.
5. Производитель рекомендует проводить периодическую проверку и техническое обслуживание изделия в уполномоченных сервисных центрах.
6. Наши гарантийные обязательства распространяются только на неисправности, выявленные в течение гарантийного срока и вызванные дефектами материалов или сборки изделия.
7. **Гарантийные условия не распространяются на неисправности изделия, возникшие в результате:**
 - 7.1. Несоблюдения пользователем предписаний инструкции по эксплуатации изделия, применения изделия не по назначению, неправильного хранения, использования принадлежностей, расходных материалов и запчастей, не предусмотренных производителем.
 - 7.2. Механического повреждения (сколы, трещины и разрушения) внутренних и внешних деталей изделия, основных и вспомогательных рукояток, сетевого электрического кабеля, вызванного внешним ударным или лобным иным воздействием.



ОБЯЗАТЕЛЬНО СОХРАНИЙТЕ КАССОВЫЙ ЧЕК

- 7.3. Попадания в вентиляционные отверстия и проникновение внутрь изделия посторонних предметов, материалов или веществ, не являющихся отходами, сопровождающими применение изделия по назначению, такими как: стружка, опилки, песок, и пр.
- 7.4. Воздействий на изделие неблагоприятных атмосферных и иных внешних факторов, таких как дождь, снег, повышенная влажность, нагрев, агрессивные среды, несоответствие параметров питающей электросети, указанных на инструменте.
- 7.5. Стихийного бедствия. Повреждение или утрата изделия, связанное с непредвиденными бедствиями, стихийными явлениями, в том числе вследствие действия непреодолимой силы (пожар, молния, потоп и другие природные явления), а также вследствие перепадов напряжения в электросети и другими причинами, которые находятся вне контроля производителя.

8. Гарантийные условия не распространяются:

- 8.1. На инструменты, подвергавшиеся вскрытию, ремонту или модификации вне уполномоченного сервисного центра.
- 8.2. На детали и узлы, имеющие следы естественного износа, такие как: приводные ремни и колеса, угловые щетки, смазка, подшипники, зубчатое зацепление редукторов, резиновые уплотнения, сальники, направляющие ролики, муфты сцепления, бойки, толкатели, стволы, и т.п.
- 8.3. На сменные и расходные части: цанги, зажимные гайки и фланцы, фильтры, ножи, шлифовальные подошвы, цепи, звездочки, пыльные шины, защитные кожухи, пилки, абразивы, пыльные и абразивные диски, фрезы, сверла, буры и т.п.
- 8.4. На неисправности, возникшие в результате перегрузки инструмента (как механической, так и электрической), повлекшей выход из строя одновременно двух и более деталей и узлов, таких как ротора и статора, обоих обмоток статора, ведомой и ведущей шестерни редуктора или других узлов и деталей. К безусловным признакам перегрузки изделия относятся, помимо прочего: появление цветов побежалости, деформация или оплавление деталей и узлов изделия, потемнение или обугливание изоляции проводов электродвигателя под воздействием высокой температуры.



Горячая линия

8-800-1000-876

Актуальную информацию об обслуживании
в интересующем вас городе вы можете узнать на сайте
service.dewalt.ru

- Список авторизованных сервисных центров
- Поиск ближайшего сервисного центра
- Руководство по эксплуатации
- Технические характеристики
- Список деталей и запасных частей
- Схема сборки инструмента

15-04-2021

ГАРАНТИЙНОЕ ОБСЛУЖИВАНИЕ

С БЕСПЛАТНОЙ ДОСТАВКОЙ

Теперь вы можете сдать инструмент в сервис, даже если его нет в вашем городе.

Скачать/распечатать инструкцию с сайта

service.dewalt.ru



Отметки о проведении сервисного обслуживания

№1	№2	№3	№4
№ заказа	№ заказа	№ заказа	№ заказа
Дата поступления	Дата поступления	Дата поступления	Дата поступления
Дата ремонта	Дата ремонта	Дата ремонта	Дата ремонта
Печать и подпись сервисного центра	Печать и подпись сервисного центра	Печать и подпись сервисного центра	Печать и подпись сервисного центра



ПОДАРОК ЗА ОТЗЫВ*

- 1 Зарегистрируйся на my.dewalt.ru
- 2 Напиши отзыв о покупке
- 3 Получи подарок**



*Акция проводится на территории Российской Федерации. Подробные условия акции указаны на my.dewalt.ru

** Подарок может отличаться от изображенного, актуальный перечень см. на my.dewalt.ru

МАГНІТНИЙ ДРИЛЬ

DCD1623

Вітаємо вас!

Ви обрали інструмент виробництва компанії DEWALT. Ретельна розробка продукції, багаторічний досвід фірми у виробництві інструментів, різні вдосконалення, все це зробило інструменти DEWALT є одними із найнадійніших помічників для тих, хто використовує електричні інструменти у своїй професії.

Технічні дані

		DCD1623
Напруга	V _{пост. струму}	18
Тип		1
Макс. вихідна потужність з акумулятором ємністю 9 А-год	Вт	1100
Швидкість вперед без навантаження		
На низькій передачі	об/хв.	130–420
На високій передачі	об/хв.	250–810
Швидкість назад без навантаження		
На низькій передачі	об/хв.	350
На високій передачі	об/хв.	680
Макс. діаметр дрilla зі спіральним свердлом	мм	16
Макс. діаметр дрilla із кільцевою фрезєю	мм	50
Макс. нарізання отворів		M14
Макс. глибина різання сталі	мм	50
Тримач інструмента (хвостовик із лискою)	мм	19
Маса	кг	14,4

Значення рівня шуму та/або вібрації (векторна сума трьох векторів) відповідно до стандарту EN62841-1:

L _{PA} (рівень тиску звукового випромінювання)	дБ(А)	85
L _{WA} (рівень звукової потужності)	дБ(А)	94
K (похибка для даного рівня звукового тиску)	дБ(А)	3

Значення вібрації та/або шуму, наведене в цьому документі, було виміряне згідно зі стандартизованим тестом, викладеним в EN62841 та може використовуватись для порівняння інструментів. Це значення вібрації можна також використовувати для попередньої оцінки впливу вібрації.

⚠ ПОПЕРЕДЖЕННЯ: Заявлене значення вібрації та/або шуму відповідає вимогам цільового використання інструмента. Однак якщо інструмент використовується для виконання інших завдань, або з іншими витратними матеріалами/насадками, або не обслуговується належним чином, значення вібрації та/або шуму може відхилитися. Це може значно збільшити рівень впливу протягом усього періоду роботи.

Оцінка рівня впливу вібрації та/або шуму має враховувати час, протягом якого інструмент є вимкненим, а також час, протягом якого він є ввімкненим, але не використовується. Це може значно зменшити рівень впливу протягом усього періоду роботи.

Визначення додаткових заходів безпеки для захисту оператора від впливу вібрації та/або шуму: технічне обслуговування інструмента та приладдя, утримання рук у теплі (має значення для вібрації), організація режиму роботи.

Декларація про відповідність ЄС

Директива для механічного обладнання



Магнітний дріль DCD1623

DEWALT заявляє, що продукти, описані в розділі «Технічні дані», відповідають вимогам документів:

2006/42/EC, EN62841-1:2015.

Ці вироби також відповідають вимогам Директив 2014/30/EU та 2011/65/EU. Для отримання додаткової інформації звертайтеся до компанії DEWALT за зазначеною нижче адресою або на зворотному боці цього посібника.

Нижчепідписаний несе відповідальність за складення файлу технічних характеристик та робить цю заяву від імені компанії DEWALT.

Маркус Ромпель

Віце-президент з інженерно-технічного забезпечення,
PTE-Europe

DEWALT, Richard-Klinger-Straße 11,
65510, Idstein, Німеччина
29.04.2022



ПОПЕРЕДЖЕННЯ: Уважно прочитайте керівництво з експлуатації для зниження ризику отримання травм.

Позначення: інструкції з техніки безпеки

Умовні позначення, наведені нижче, описують рівень важливості кожної попереджувальної вказівки. Прочитайте керівництво з експлуатації та зверніть увагу на символи, наведені нижче.



НЕБЕЗПЕЧНО: Указує на безпосередню загрозу, яка, якщо її не уникнути, призведе до смерті або серйозної травми.

Батареї				Зарядні пристрої/час зарядки (у хвилинали)**									
Кат. №	V _{ок}	Ah	Маса (kg)	DCB104	DCB107	DCB112	DCB113	DCB115	DCB116	DCB117	DCB118	DCB132	DCB119
DCB547G	18/54	9.0/3.0	1.46	75*	420	270	220	135*	110*	60	75*	135*	X
DCB184G	18	5.0	0.62	75/50**	240	150	120	75	75/60**	75/50**	75/50**	75	150

*Код дати 201811475В або пізніше

**Код дати 201536 або пізніше

**Battery charge times matrix provided for guidance only; charge times will vary depending on temperature and condition of batteries.



ПОПЕРЕДЖЕННЯ:

Вказує на потенційну загрозу, ігнорування якої **може** призвести до **смерті або серйозної травми**.



УВАГА: Вказує на потенційну загрозу, ігнорування якої **може** призвести до **травми легкої або середньої тяжкості**.

ПРИМІТКА: Вказує на ситуацію, **не пов'язану з особистою травмою**, ігнорування цієї ситуації **може** призвести до **пошкодження майна**.



Вказує на ризик ураження електричним струмом.



Вказує на ризик виникнення пожежі.

ЗАГАЛЬНІ ПРАВИЛА БЕЗПЕКИ ПРИ ЕКСПЛУАТАЦІЇ ЕЛЕКТРИЧНОГО ІНСТРУМЕНТА



ПОПЕРЕДЖЕННЯ: Ознайомтеся з усіма попередженнями, інструкціями з техніки безпеки, зображеннями та специфікаціями, які поставляються з даним електричним інструментом. Невиконання нижченаведених інструкцій може призвести до ураження електричним струмом, пожежі та/або серйозних тілесних ушкоджень.

ЗБЕРІГАЙТЕ ВСІ ПОПЕРЕДЖЕННЯ ТА ІНСТРУКЦІЇ ДЛЯ ПОДАЛЬШОГО ВИКОРИСТАННЯ

Термін «електричний інструмент» в усіх попередженнях стосується використовуваних вами інструментів, що живляться від мережі енергопостачання (з електричним кабелем) або від акумуляторів (без кабелю).

1) Безпека робочої зони

- Робоча зона завжди має бути чистою та добре освітленою.** Захаращена або темна робоча зона призводить до нещасних випадків.
- Не використовуйте електричні інструменти у вибухонебезпечній атмосфері, наприклад поруч із вознебезпечними рідинами, газами та пилом.** Електричні інструменти створюють іскри, що можуть запалити пил або пару.
- Тримайте дітей та сторонніх подалі під час використання інструмента.** Відвернення уваги може призвести до втрати контролю.

2) Електрична безпека

- Вилка електричного інструмента повинна відповідати розетці. Ніколи жодним чином не**

змінюйте вилку. Не використовуйте адаптери з замкнутими на землю (заземленими) електричними інструментами. Немодифіковані вилки та розетки, що підходять до них, зменшують ризик ураження електричним струмом.

- Уникайте контакту тіла з заземленими поверхнями, такими як труби, радіатори, плити та холодильники.** Якщо ваше тіло заземлене, збільшується ризик ураження електричним струмом.
- Не залишайте електричні інструменти під дощем або в умовах підвищеної вологості.** Вода, що потрапляє в електричний інструмент, підвищує ризик ураження електричним струмом.
- Не використовуйте кабель живлення не за призначенням. Ніколи не переносьте, не тягніть та не відключайте електричний інструмент від розетки живлення за допомогою шнура. Тримайте шнур подалі від високих температур, мастила, гострих предметів та рухомих деталей.** Пошкоджені або перекручені шнури підвищують ризик ураження електричним струмом.
- При використанні електричного інструмента на вулиці, використовуйте подовжувальний шнур, що підходить для використання на вулиці.** Використання шнура, що призначений для використання поза приміщенням, знижує ризик ураження електричним струмом.
- Якщо неможливо уникнути використання електричного інструмента в умовах підвищеної вологості, використовуйте живлення, захищене пристроєм залишкового струму (RCD).** Використання RCD знижує ризик ураження електричним струмом.

3) Особиста безпека

- Будьте в стані готовності, дивіться, що ви робите, та будьте розсудливі, працюючи з електричним інструментом.** Не використовуйте електричний інструмент, коли ви втомлені або знаходитесь під впливом наркотичних речовин, алкоголю або ліків. Втрата уваги під час роботи з електричними інструментами може призвести до серйозних травм.
- Використовуйте особисті засоби безпеки. Завжди використовуйте засоби захисту очей.** Засоби безпеки, такі як протипилова маска, неслизькі безпечні черевики, захисний шолом та

засоби захисту слухового апарату при використанні для відповідних умов зменшують імовірність особистих травм.

- c) **Уникайте випадкового запуску. Переконайтесь в тому, що вимикач знаходиться в позиції Вимк., перш ніж підключати інструмент до джерела живлення та/або акумулятора, переміщувати або переносити.** Може статися нещасний випадок, коли ви переносите інструмент, тримаючи палець на вимикачі, або підключаєте живлення до вимикача в позиції Увімк.
- d) **Зніміть усі ключі для регулювання або гайкові ключі, перш ніж вмикати електричний інструмент.** Гайковий ключ, що залишився прикріпленим до якоїсь деталі електричного пристрою, що обертається, може призвести до травм.
- e) **Не прикладайте надмірного зусилля. Завжди утримуйте правильну постановку ніг і рівновагу.** Це дає вам змогу краще контролювати інструмент в неочікуваних ситуаціях.
- f) **Одягайтеся відповідним чином. Не вдягайте вільний одяг або прикраси. Тримайте ваше волосся та одяг подалі від рухомих деталей.** Вільний одяг, прикраси або довге волосся можуть зачепитися за рухомі деталі.
- g) **Якщо передбачені пристрої для підключення до засобів виділення та збирання пилу, переконайтесь, що вони правильно підключені та використовуються.** Використання таких пристроїв зменшує ризик виникнення небезпечних ситуацій, що пов'язані з потраплянням пилу.
- h) **Навіть якщо ви добре знаєте інструмент та часто його використовуйте, не розслабляйтесь та не забувайте про принципи техніки безпеки.** Необережні дії можуть за долю секунди призвести до важких тілесних ушкоджень.

4) Використання електричного інструмента та догляд за ним

- a) **Не прикладайте надмірних зусиль під час роботи з інструментом. Використовуйте електричний інструмент, який відповідає завданню, що виконується.** Правильно обраний інструмент виконає завдання краще та безпечніше за умов, для яких він був розроблений.
- b) **Не використовуйте інструмент, якщо його неможливо ввімкнути та вимкнути за допомогою вимикача.** Будь-який електричний інструмент, яким неможливо керувати за допомогою вимикача, є небезпечним і має бути відремонтований.
- c) **Якщо вилка знімна, відключіть її від джерела живлення та/або вийміть акумулятор, перш ніж виконувати будь-які налаштування, змінювати додаткове обладнання або зберігати інструмент.** Ці профілактичні

заходи зменшують ризик випадкового запуску електричного інструмента.

- d) **Зберігайте вимкнені електричні інструменти в недоступному для дітей місці та не дозволяйте особам, що не знайомі з електричним інструментом або цими інструкціями, використовувати електричний інструмент.** Електричні інструменти є небезпечними, якщо вони використовуються некваліфікованими користувачами.
- e) **Технічне обслуговування електричних інструментів та приладдя. Перевіряйте неспівівність, заїдання рухомих деталей, наявність пошкоджених частин та інших факторів, які можуть впливати на роботу електричного інструмента. Якщо є пошкодження, відремонтуйте електричний інструмент перед використанням.** Нещасні випадки часто є результатом того, що інструмент не пройшов відповідного технічного обслуговування.
- f) **Різальні інструменти мають бути гострими та чистими.** Правильно доглянуті різальні інструменти з гострими різальними кромками мають меншу імовірність заїдання, та ними легше керувати.
- g) **Використовуйте електричний інструмент, додаткові інструменти та деталі інструменту тощо у відповідності до цих інструкцій та відповідно до даного типу електричних інструментів, зважаючи на умови використання та роботу, яка має бути виконана.** Використання електричних інструментів не за призначенням може призвести до виникнення небезпечних ситуацій.
- h) **Всі ручки та поверхні для тримання інструмента мають бути сухими, без залишків мастила.** Слизькі ручки та поверхні для тримання не дозволяють безпечно працювати та контролювати інструмент у неочікуваних ситуаціях.

5) Використання та догляд за інструментом, що живиться від акумулятора

- a) **Заряджайте інструмент лише за допомогою зарядного пристрою, вказаного виробником.** Зарядний пристрій, що підходить до одного типу акумуляторів, може призвести до пожежі в разі використання з іншим акумулятором.
- b) **Використовуйте електричні інструменти лише за призначеннями для них акумуляторами.** Використання інших акумуляторів може призвести до травм або пожежі.
- c) **Коли акумулятор не використовуються, зберігайте їх подалі від металевих предметів, як скріпки, монети, ключі, цвяхи, гвинти або інші невеликі предмети, що можуть призвести до замикання двох контактів.** Коротке замикання клем акумулятора може призвести до вибуху або пожежі.

- d) **За невідповідних умов використання рідина може витекти з акумулятора; уникайте контакту з цією рідиною. Якщо контакт таки стався, промийте забруднену ділянку водою. Якщо рідина потрапила в очі, промийте водою та зверніться до лікаря.** Рідина, що витікає з акумулятора, може призвести до подразнень та опіків.
- e) **Не використовуйте пошкоджений або модифікований акумулятор або інструмент.** Пошкоджені або модифіковані акумулятори можуть поводити себе непередбачуваним чином, призводячи до пожежі, вибуху або тілесним ушкодженням.
- f) **Не піддавайте акумулятор та інструмент дії вогню та надмірних температур.** Дія вогню або температури вище 130 °C може спричинити вибух.
- g) Виконуйте всі інструкції щодо зарядки; **заряджайте акумулятор та інструмент тільки в межах температурного діапазону, вказаного в інструкціях.** Неналежна зарядка або зарядка поза межами вказаного температурного діапазону може пошкодити акумулятор та підвищити ризик пожежі.

6) Обслуговування

- a) **Надавайте ваш електричний інструмент для обслуговування кваліфікованим спеціалістом з ремонту та використовуйте тільки ідентичні замінні деталі.** Це забезпечить безпеку електричного пристрою.
- b) **Ніколи не обслуговуйте пошкоджені акумулятори самостійно.** Обслуговування акумуляторів мають виконувати представники виробника або працівники офіційного сервісного центру.

Додаткові спеціальні правила техніки безпеки для дрилів

- Тримайте руки подалі від зони свердління під час роботи інструмента. Контакт з частинами, що обертаються, або стружкою може призвести до травм.
- Завжди використовуйте захисний кожух для дрилі. Перш ніж увімкнути верстат, переконайтеся, що захисний кожух надійно закритий.
- Завжди використовуйте запобіжний ланцюг.
- Магнітна підставка підходить для використання на сталі товщиною від 10 мм, з нульовим повітряним зазором між поверхнею магнітного осердя та монтажною поверхнею. Кривина, шари фарби та нерівності поверхні створюють повітряний зазор. Зробіть повітряний зазор мінімальним.
- Завжди розташовуйте верстат на рівній поверхні. Не затискайте підставку за невеликі предмети або об'єкти неправильної форми.
- Завжди розташовуйте верстат на поверхні, очищеній від обрізків, стружки, ошурків та бруду.

- Тримайте магніт чистим і не допускайте попадання на нього сміття та ошурків.
- Не вмикайте верстат, доки він не буде зібраний та встановлений відповідно до цих інструкцій.
- Не вмикайте верстат, доки не переконаєтесь, що магнітна підставка міцно прикріплена до монтажною поверхні.
- Відрегулюйте стіл так, щоб фреза не входила в заготовку перед свердлінням. Не виконуйте жодних проектних, монтажних чи будівельних робіт із заготовкою, коли верстат увімкнено.
- Перш ніж увімкнути верстат, переконайтеся, що приладдя правильно встановлене.
- Завжди використовуйте рекомендовану швидкість для приладдя та матеріалу.
- Не використовуйте верстат на тій самій заготовці, на якій використовуються електрозварювальні апарати.
- Використовуйте лише відповідну змащувально-охолоджувальну рідину. Використовуйте звичайну охолоджувальну рідину для різання металу, розбавлену водою.
- Не використовуйте рідкі змащувально-охолоджувальні рідини під час вертикального свердління або свердління над головою. Занурте фрезу у пасту для різання або нанесіть відповідний спрей для цих застосувань.
- Не заливайте змащувально-охолоджувальну рідину в резервуар, коли він закріплений на кронштейні. Не допускайте потрапляння змащувально-охолоджувальної рідини в двигун дрилі.
- Перед використанням переконайтеся, що знімний кожух патрона працює належним чином.
- Переконайтеся, що металеві стружки або залишки смоли не можуть призвести до блокування функції.
- У разі застрягання фрези від'єднайте верстат від джерела живлення, усуньте причину застрягання, перш ніж знову вмикати верстат.

Залишкові ризики

Дотримання всіх правил техніки безпеки та застосування пристроїв безпеки не гарантує уникнення певних залишкових ризиків. До такого переліку належать:

- Порушення слуху.
- Ризик тілесних ушкоджень через частинки, які розлітаються.
- Ризик опіків через нагрівання приладдя під час роботи.
- Ризик тілесних ушкоджень через занадто тривале використання.

ЗБЕРІГАЙТЕ ЦІ ІНСТРУКЦІЇ

Зарядні пристрої

DEWALT не вимагають налаштувань і розроблені для максимально простого використання.

Електрична безпека

Електричний двигун розроблений для роботи лише з одним значенням напруги. Завжди перевіряйте, що напруга акумулятора відповідає напрузі, що вказана в технічних даних. Також переконайтесь, що напруга зарядного пристрою відповідає напрузі мережі живлення.



Ваш DEWALT Ваш зарядний пристрій виробництва компанії DEWALT має подвійну ізоляцію відповідно до EN60335; тому заземлення не є необхідним.

Якщо кабель живлення пошкоджений, його необхідно замінити на спеціальний кабель, який можна замовити в офіційних сервісних центрах DEWALT, організація обслуговування.

Використання електричного подовжувача

Використовуйте подовжувальний шнур лише за абсолютної необхідності. Використовуйте лише рекомендований подовжувальний шнур, що відповідає споживаній потужності вашого зарядного пристрою (див. **Технічні дані**). Мінімальний розмір січення провідника становить 1 мм²; максимальна довжина — 30 м.

При використанні кабельного барабану завжди витягуйте весь кабель.

Важливі інструкції з техніки безпеки для всіх зарядних пристроїв

ЗБЕРІГАЙТЕ ЦІ ІНСТРУКЦІЇ: У цьому керівництві містяться важливі інструкції з техніки безпеки та використання для сумісних зарядних пристроїв (див. «**Технічні дані**»).

- *Перед використанням зарядного пристрою прочитайте всі інструкції та попередження на зарядному пристрої, акумуляторах та продукті, для якого ці акумулятори використовуються.*



ПОПЕРЕДЖЕННЯ: Небезпека ураження електричним струмом. Не допускайте потрапляння рідини в зарядний пристрій. Це може призвести до ураження електричним струмом.



ПОПЕРЕДЖЕННЯ: Ми рекомендуємо використовувати пристрій з керуванням диференційним струмом з номінальним значенням диференційного струму 30 мА або менше.



УВАГА: Небезпека опіку. Для зниження ризику виникнення травм заряджайте лише акумулятори DEWALT, акумуляторні батареї. Інші типи акумуляторів можуть вибухнути, спричинивши тілесні ушкодження та пошкодження майна.



УВАГА: Уважно слідкуйте за тим, щоб діти не гралися з пристроєм.

ПРИМІТКА: За певних умов, коли зарядний пристрій підключений до мережі живлення, незахищені контакти всередині зарядного пристрою можуть замкнутися будь-яким стороннім предметом. Сторонні предмети, що проводять струм, наприклад металева стружка, алюмінієва фольга або будь-які металеві деталі, необхідно зберігати

подалі від зарядного пристрою. Завжди відключайте зарядний пристрій від розетки, коли батарея не встановлена в зарядний пристрій. Відключіть зарядний пристрій від мережі живлення перед його очищенням

- **НЕ намагайтеся заряджати акумулятор зарядними пристроями, що не вказані в цьому керівництві.** Зарядний пристрій та акумулятори даної моделі розроблені для сумісної експлуатації.
- **Ці зарядні пристрої не призначені ні для чого іншого, крім зарядки акумуляторів DEWALT акумуляторні батареї.** Використання з іншими акумуляторами може призвести до виникнення пожежі або ураження електричним струмом.
- **Не піддавайте зарядний пристрій впливу дощу або снігу.**
- **При відключенні зарядного пристрою від мережі живлення тягніть за вилку, а не за кабель.** Це зменшить ризик пошкодження вилки та кабелю.
- **Переконайтесь, що кабель розміщений так, щоб на нього не наступали, не ходили по ньому та не піддавали його іншим фізичним впливам.**
- **Не використовуйте подовжувальний шнур окрім випадків, коли це абсолютно необхідно.** Використання невідповідних подовжувальних шнурів може призвести до пожежі або ураження електричним струмом.
- **Не кладіть будь-які предмети на зарядний пристрій та не залишайте зарядний пристрій на м'якій поверхні, що може заблокувати вентиляційні отвори та призвести до надмірного нагрівання.** Розташуйте зарядний пристрій подалі від джерел тепла. Зарядний пристрій вентилюється крізь отвори у верхній та нижній частинах корпусу.
- **Не використовуйте зарядний пристрій із пошкодженням кабелем або вилкою — їх потрібно негайно замінити.**
- **Не використовуйте зарядний пристрій, якщо той отримав різкий удар, впаав або був пошкоджений іншим чином.** Віднесіть його до авторизованого сервісного центру.
- **Якщо зарядний пристрій вимагає технічного обслуговування або ремонту, не розбирайте його самотужки, а віднесіть до авторизованого сервісного центру.** Невідповідні способи використання можуть призвести до виникнення пожежі або ураження електричним струмом.
- Якщо кабель живлення пошкоджено, для уникнення небезпеки його необхідно негайно замінити, звернувшись до виробника, спеціаліста сервісного центру або іншого кваліфікованого спеціаліста.
- **Відключайте зарядний пристрій від розетки перед його очищенням.** Це дозволяє знизити ризик ураження електричним струмом. Видалення акумулятора не знижує ризик.

- **НИКОЛИ** не намагайтесь з'єднувати два зарядні пристрої.
- **Цей зарядний пристрій розрахований на роботу зі стандартною напругою побутової електромережі 230 В. Не намагайтесь використовувати його з іншою напругою.** Це не стосується автомобільних зарядних пристроїв.

Зарядка акумулятора (Рис. [Fig.] В)

1. Підключіть зарядний пристрій до відповідної розетки перед встановленням акумулятора.
2. Вставте акумулятор **29** у зарядний пристрій до упору. Червоний індикатор («зарядка») буде блимати, вказуючи на початок процесу зарядки.
3. Коли зарядку завершено, червоний індикатор горить, не блимаючи. Це означає, що акумулятор повністю заряджений та може використовуватися одразу або залишатися в зарядному пристрої. Щоб витягнути акумулятор із зарядного пристрою, натисніть кнопку деблокування **30** на акумуляторі.

ПРИМІТКА: щоб забезпечити максимальну продуктивність та тривалість роботи літій-іонного акумулятора, повністю зарядьте його перед першим використанням.

Робота зарядного пристрою

Нижче описані індикатори стану зарядки акумулятора.

Індикатори зарядки	
	Заряджається
	Повністю заряджений
	Затримка через надмірно високу/низьку температуру акумулятора*

*Червоний індикатор буде продовжувати миготіти, а жовтий індикатор буде горіти під час виконання цього завдання. Коли акумулятор досягне прийнятної температури, жовтий індикатор згасне, а зарядний пристрій відновить процес зарядки.

Сумісний зарядний пристрій не буде заряджати несправний акумулятор. Зарядний пристрій розпізнає несправну батарею та не ввімкне світловий індикатор.

ПРИМІТКА: Це також може свідчити про проблему з зарядним пристроєм.

Якщо виявлено проблему із зарядним пристроєм, віднесіть зарядний пристрій та акумулятор для перевірки в авторизований сервісний центр.

Затримка через надмірно високу/низьку температуру акумулятора

Якщо зарядний пристрій визначає, що акумулятор є надмірно гарячим або холодним, він автоматично вмикає режим температурної затримки, припиняючи процес зарядки, доки акумулятор не досягне відповідної температури. Після досягнення прийнятної температури зарядний пристрій автоматично перемикається в режим

зарядки акумулятора. Ця функція забезпечує максимальний термін служби акумулятора.

Холодний акумулятор буде заряджатися повільніше порівняно з теплим акумулятором. Такий акумулятор буде заряджатися повільніше протягом всього циклу зарядки та не повернеться до максимального значення зарядки, навіть якщо нагріється.

Зарядний пристрій DCB118 оснащений внутрішнім вентилятором, призначеним для охолодження акумулятора. Вентилятор автоматично вмикається, коли акумулятор потребує охолодження. Ніколи не використовуйте зарядний пристрій, якщо вентилятор працює неналежним чином або вентиляційні отвори заблоковані. Уникайте потрапляння сторонніх предметів усередину зарядного пристрою.

Електронна система захисту

Інструменти з літій-іонними акумуляторами XR розроблені з використанням електронної системи захисту, яка захищає акумулятор від перевантаження, перегрівання або глибокої розрядки.

Пристрій автоматично вимикається, якщо спрацював електронна система захисту. Якщо це сталося, встановіть літій-іонний акумулятор в зарядний пристрій до повної зарядки.

Кріплення на стіну

Ці зарядні пристрої можна закріпити на стіні, чи поставити на стіл або іншу робочу поверхню. При кріпленні на стіну розташуйте зарядний пристрій недалеко від електричної розетки, а також подалі від кутів та інших перешкод, що заважають повітряному потоку. Скористайтеся задньою частиною зарядного пристрою в якості шаблону для розташування кріпильних гвинтів на стіні. Надійно зафіксуйте зарядний пристрій за допомогою шурупів (потрібно придбати окремо) довжиною приблизно 25,4 мм з голівкою діаметром 7–9 мм, що закручуються в дерев'яну поверхню до оптимальної глибини, щоб залишилося приблизно 5,5 мм. Вирівняйте отвори на задній поверхні зарядного пристрою з виступаючими шурупами, після чого повністю вставте шурупи в отвори.

Інструкції з очищення зарядного пристрою

⚠ ПОПЕРЕДЖЕННЯ: Небезпека ураження електричним струмом. Відключіть зарядний пристрій від розетки змінного струму перед його очищенням. Бруд та жир можна видалити з поверхні зарядного пристрою за допомогою ганчірки або м'якої неталевої щітки. Не використовуйте воду та мийні розчини. Не дозволяйте рідині потрапляти всередину інструмента та ніколи не занурюйте деталі інструмента в рідину.

Акумулятор

Важливі інструкції з техніки безпеки для різних типів акумуляторів

При замовленні змінних акумуляторів не забудьте вказати номер з каталогом та напругу.

Новий акумулятор заряджений не повністю. Перед використанням акумулятора та зарядного пристрою прочитайте всі нижче наведені інструкції з техніки безпеки. Після цього виконайте всі вказані пункти процедури зарядки.

ПРОЧИТАЙТЕ ВСІ ІНСТРУКЦІЇ

- **Не заряджайте та не використовуйте акумулятор у вибухонебезпечних умовах, наприклад в присутності легкозаймистих рідин, газів або пилу.** Під час встановлення або виймання батареї з зарядного пристрою може спалахнути пил або пара.
- **На прикладайте зусилля, вставляючи акумулятор в зарядний пристрій. Жодним чином не модифікуйте акумулятор, аби встановити його в несумісний зарядний пристрій, адже акумулятор може розірватися та спричинити серйозні травми.**
- Використовуйте тільки зарядні пристрої DEWALT для заряджання акумуляторів.
- **НЕ занурюйте акумулятор у воду та інші рідини та не бризкайте на нього.**
- **Не зберігайте та не використовуйте інструмент та акумулятор у місцях, де температура може сягати або перевищувати 40 °C (104 °F) (наприклад, біля гаражів або металевих будівель влітку).**
- **Не спалюйте акумулятор, навіть якщо він сильно пошкоджений або повністю зношений.** Акумулятор може вибухнути у вогні. Коли літій-іонні акумулятори горять, утворюються токсичні випаровування та речовини.
- **Якщо вміст акумулятора потрапив на шкіру, негайно промийте це місце м'яким милом та водою.** Якщо рідина з акумулятора потрапила в очі, промийте відкрите око протягом 15 хвилин або доки подразнення не зникне. Якщо необхідно звернутися до лікаря, акумуляторний електродит складається з суміші рідких органічних вуглекислих солей та солей літію.
- **Вміст відкритого акумулятора може спричинити подразнення дихальних шляхів.** Вийдіть на свіже повітря. Якщо симптоми не зникають, зверніться до лікаря.



ПОПЕРЕДЖЕННЯ: Небезпека опіку. Рідина з акумулятора може спалахнути, якщо на неї потрапить іскра або полум'я.



ПОПЕРЕДЖЕННЯ: За жодних умов не намагайтесь відкрити акумулятор. За будь-якого пошкодження акумулятора не встановлюйте його у зарядний пристрій. Не бийте, не кидайте та не пошкоджуйте акумулятор. Не використовуйте акумулятор та зарядний пристрій, якщо ті отримали різкий удар, впали або були пошкоджені іншим чином (наприклад, були проколоті цвяхом, вдарені молотком, на них наступили). Це може призвести до ураження електричним струмом. Пошкоджені акумулятори необхідно повернути до сервісного центру для переробки.



ПОПЕРЕДЖЕННЯ: Небезпека виникнення пожежі. **Зберігайте та переносіть акумулятор так, щоб металеві предмети не торкалися його відкритих контактів.** Наприклад, не кладіть акумулятор у фартух, кишені, ящики з інструментами, коробки з наборами приладдя, шухляди тощо, де можуть бути цвяхи, гвинти, ключі тощо.



УВАГА: Кош інструмент не використовується, залишайте його на боці на стабільній поверхні в такому місці, де через нього не можна перепечитися та власти. Деякі інструменти з великими акумуляторами можуть стояти на батареї, але їх можна легко перекинути.

Транспортування



ПОПЕРЕДЖЕННЯ: Небезпека виникнення пожежі. Під час перевезення акумуляторів може виникнути пожежа, якщо контакти акумулятора випадково ввійдуть в контакт з електропровідним матеріалом. Під час перевезення акумуляторів переконайтесь, що їхні контакти захищені та добре ізольовані від матеріалів, які можуть увійти з ними в контакт та викликати коротке замикання.

ПРИМІТКА: При перевезенні літій-іонних акумуляторів не можна здавати їх в багаж.

Акумулятори DEWALT відповідають всім нормам перевезення, описаним у галузевих та законодавчих положеннях, включно з рекомендаціями ООН про перевезення небезпечних вантажів, правилами перевезення небезпечних вантажів Міжнародної організації повітряного транспорту (IATA), міжнародними правилами перевезення небезпечних вантажів водним транспортом (IMDG) та Європейській угоді про міжнародне дорожнє перевезення небезпечних вантажів (ADR). Літій-іонні елементи живлення та акумулятори були перевірені відповідно до розділу 38.3 керівництва з тестів та критеріїв щодо перевезення небезпечних вантажів Рекомендацій ООН.

У більшості випадків перевезення акумуляторів DEWALT може бути класифіковано як перевезення небезпечних речовин, що повністю підпадають під клас 9. Загалом тільки вантажі, що містять літій-іонні акумулятори ємністю більше за 100 ват-годин (Вт-год.), вимагають транспортування відповідно до норм перевезення небезпечних речовин, що повністю підпадають під Клас 9. На всі літій-іонні акумулятори нанесено значення ват-годин. Крім того, через складності законодавчих норм компанія DEWALT не рекомендує транспортування окремо літій-іонних акумуляторів повітряним транспортом, незалежно від показника ват-годин. Перевезення інструментів з акумуляторами (у комплекті) можна виконувати повітряним транспортом, якщо значення ват-годин не перевищує 100 Вт-год.

Незалежно від того, чи вантаж вважається виключеним або повністю регламентованим, вантажодіправник несе відповідальність за відповідність останнім нормам щодо вимог до упаковки, етикеток/маркування та документації.

Інформація, що наводиться у цьому розділі керівництва, сумлінно перевірена та вважається дійсною на момент складання документації. Проте чинні нормативи можуть підлягати змінам. Покупець несе відповідальність за те, щоб його дії відповідали певним нормам.

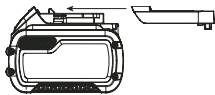
Транспортування батареї FLEXVOLT™

Батарея DEWALT FLEXVOLT™ має два режими: **використання** та **транспортування**.

Режим використання. при використанні батареї FLEXVOLT™ окремо або в продукті DEWALT 18В вона працює як батарея потужністю 18 В. Якщо батарею FLEXVOLT™ встановлено у пристрій потужністю 54 В або 108 В (дві батареї 54 В), вона буде працювати як батарея 54 В.

Режим транспортування. якщо на батарею FLEXVOLT™ встановлено кришку, вона знаходиться у режимі транспортування. Не знімайте цю кришку при транспортуванні.

У режимі транспортування послідовність електричних елементів акумулятора роз'єднана, що створює



3 акумулятори з меншим значенням Вт-год в порівнянні з 1 акумулятором із більшим значенням цього показника. Ці 3 акумулятори з нижчим значенням ват-годин можуть бути виключені з певних норм транспортування, що застосовуються для акумуляторів з більшим значенням ват-годин.

Наприклад, показник транспортування може бути 3 × 36 Вт-год, що означає 3 акумулятори по 36 Вт-год кожний. При цьому показник Вт-год в режимі використання може бути вказаний як 108 Вт-год (1 акумулятор).

Приклад маркування способів використання та транспортування



Рекомендації щодо зберігання

1. Найкращим місцем для зберігання інструмента є прохолодне сухе місце, куди не потрапляють прямі сонячні промені та немає доступу тепла та холоду. Для оптимальної продуктивності та терміну служби батарей зберігайте їх за кімнатної температури, коли вони не використовуються.
2. При тривалому зберіганні для оптимального результату рекомендується помістити повністю заряджений акумулятор у сухе прохолодне місце поза зарядним пристроєм.

ПРИМІТКА: Не рекомендується зберігати акумулятор повністю розрядженим. Акумулятор потрібно перезарядити перед використанням.

Етикетки на зарядному пристрої та акумуляторі

Крім символів, що використовуються у цьому керівництві, етикетки на зарядному пристрої та акумуляторі можуть містити наведені нижче позначки.



Прочитайте інструкції цього керівництва перед використанням.



Див. розділ «Технічні дані» щодо часу зарядки.



Не торкайтеся електропровідними предметами.



Не заряджайте пошкоджені акумулятори.



Не надавайте впливу води.



Негайно замінійте пошкоджений дрід живлення.



Заряджайте акумулятор за температури 4–40 °С.



Лише для використання в приміщенні.



Утилізуйте акумулятори з належною турботою про навколишнє середовище.



Заряджайте акумулятори DEWALT лише за допомогою спеціальних зарядних пристроїв DEWALT. Зарядка інших акумуляторних батарей, ніж призначені DEWALT, у зарядному пристрої DEWALT може призвести до їх вибуху або інших небезпечних ситуацій.



Не спалюйте акумулятори.



ВИКОРИСТАННЯ (без кришки для транспортування).
Приклад: Значення Вт-год становить 108 Вт-год (1 акумулятор потужністю 108 Вт-год).



ТРАНСПОРТУВАННЯ (зі встановленою кришкою для транспортування). Приклад: Значення Вт-год становить 3 × 36 Вт-год (3 акумулятори потужністю 36 Вт-год).

Тип батареї

Наступні прилади працюють від акумулятора на 18 В: DCD1623

Для експлуатації придатні акумулятори наступних моделей: DCB184G, DCB547G. Див. додаткову інформацію в розділі «Технічні дані».

Комплект поставки

До комплекту входить:

- 1 Магнітний дріль
- 1 Затискний патрон 16 мм
- 1 Патронний ключ
- 1 Пляшка охолоджувальної рідини з трубкою
- 1 Шиток для захисту від стружки

- 1 Запобіжний ланцюг
- 2 Виштовхувальні штифти
- 1 Комплект ручки подачі
- 1 Кронштейн пляшки для охолоджувальної рідини
- 1 Шестигранний ключ
- 1 Гайковий ключ
- 2 Болти-баранці
- 1 Комплект допоміжного приладдя
- 1 Посібник з експлуатації

ПРИМІТКА. Акумулятори та зарядні пристрої не входять до комплекту N. Акумулятори та зарядні пристрої не входять до комплекту моделей NT. Моделі В включають акумулятори для приладів з підтримкою Bluetooth®.

ПРИМІТКА. Текстовий знак та логотипи Bluetooth® є зареєстрованими товарними знаками, що належать компанії Bluetooth®, SIG, Inc. Будь-яке використання таких знаків компанією DeWALT здійснюється згідно з ліцензією. Інші торгові марки й торгові назви належать відповідним власникам.

- *Перевірте інструмент, деталі та приладдя на пошкодження, що могли виникнути під час транспортування.*
- *Перед використанням уважно прочитайте та повністю зрозумійте цей посібник.*

Маркування на інструменті

На інструменті є наступні піктограми:



Прочитайте інструкції цього посібника перед використанням.



Використовуйте засоби захисту слуху.



Використовуйте засоби захисту очей



Видиме випромінювання. Не дивіться на джерело світла.



Не використовуйте цей інструмент, якщо у вас або у оточуючих є кардіостимулятор або інші медичні імплантати.



Завжди використовуйте запобіжний ланцюг. Закріпіть інструмент на заготовці.

Розташування коду дати (рис. В)

Код дати **44**, **ЩО ВКЛЮЧАЄ ТАКОЖ** рік виробництва, викарбуваний на внутрішній стороні батарейного відсіку.

Приклад:

2022 XX XX

Рік та тиждень виробництва

Опис (рис. А)



УВАГА! Ніколи не модифікуйте електричні інструменти або їх деталі. Це може призвести до пошкодження майна або тілесних ушкоджень.

- 1 Вимикач
- 2 Важіль увімкнення магніту
- 3 Перемикач вперед/назад
- 4 Перемикач швидкостей
- 5 Перемикач передач
- 6 Ручка подачі
- 7 Маточина ручки подачі
- 8 Кнопка розблокування маточини ручки
- 9 Кнопка індикатора
- 10 Швидкозмінний патрон Weldon 19 мм
- 11 Затискиний патрон 16 мм
- 12 Важіль регулювання висоти двигуна
- 13 Кронштейн пляшки для охолоджувальної рідини
- 14 Пляшка для охолоджувальної рідини
- 15 Трубка для охолоджувальної рідини
- 16 З'єднувач для охолоджувальної рідини
- 17 Регулятор витрати охолоджувальної рідини
- 18 Ковпачок пляшки для охолоджувальної рідини
- 19 З'єднувальна гайка
- 20 Магнітна основа
- 21 Точка кріплення пляшки для охолоджувальної рідини
- 22 Ручка для перенесення
- 23 Кнопка розблокування ручки
- 24 Індикатор увімкнення магніту та гіроскопічного захисту
- 25 Щиток для захисту від стружки.
- 26 Запобіжний ланцюг

Сфера застосування

Ваш магнітний дріль DCD1623 призначений для свердління отворів у поверхнях сталевих конструкцій. Не виконуйте свердління на кольоровому металі.

НЕ використовуйте за умов підвищеної вологості або в присутності легкозаймистих рідин та газів.

Цей дріль є професійним електричним інструментом.

НЕ дозволяйте дітям торкатися інструмента. Використання інструмента недосвідченими операторами потребує нагляду.

- **Діти та хворі люди.** Цей пристрій не призначений для експлуатації дітьми та особами з обмеженими розумовими та фізичними можливостями без стороннього контролю.
- Цей пристрій не призначений для використання особами (включаючи дітей) із зниженими фізичними, сенсорними або розумовими можливостями або особами, яким бракує досвіду або знань за винятком випадків, коли такі особи працюють під наглядом особи, яка несе відповідальність за їх безпеку. Не можна залишати дітей наодинці з цим приладом.

МОНТАЖ ТА НАЛАШТУВАННЯ



ПОПЕРЕДЖЕННЯ: Щоб знизити ризик серйозних тілесних ушкоджень, вимкніть інструмент та відключіть акумулятор перед виконанням будь-яких налаштувань або змінням/встановленням додаткового обладнання або

приладдя. Випадковий запуск може призвести до травм.



ПОПЕРЕДЖЕННЯ: Використовуйте тільки DEWALT акумулятори та зарядні пристрої.

Транспортування дреля (рис. А)



УВАГА! Щоб знизити ризик серйозних травм, вимкніть інструмент та вийміть акумулятор перед транспортуванням, виконанням будь-яких налаштувань, очищенням, ремонтом або зніманням/установленням додаткового обладнання чи приладдя. Випадковий запуск може призвести до тілесних ушкоджень.

Для зручності перенесення інструмента з місця на місце використовуйте ручку **22**, що знаходиться на верхній частині інструмента.

Встановлення верстата (рис. А, G)

1. Змонтуйте ручку подачі.
2. Встановіть щиток для захисту від стружки.
3. За потреби встановіть систему змащення.
4. Цей верстат має увігнуту основу, що дозволяє встановлювати її на тверду поверхню або трубу діаметром щонайменше 101 мм і товщиною принаймні 9,5 мм. Видаліть усі частинки, які заважають повному контакту між магнітною основою **20** та монтажною поверхнею.
5. Установіть і затягніть запобіжний ланцюг **26**.

Монтаж ручки подачі (рис. С)

Швидкознімну ручку подачі можна встановити за одну просту операцію як зліва, так і справа від верстата.

1. Вкрутіть ручки **6** у маточину **7**. Переконайтеся, що ручки надійно закріплені.
2. Натисніть та утримуйте кнопку розблокування маточини **8**, вставляючи вал маточини в отвір **33**.
3. Відпустіть кнопку.

Установка щитка для захисту від стружки (рис. D)



УВАГА! Завжди використовуйте щиток для захисту від стружки.

1. Тримайте щиток захисту від стружки **25** перед тримачем інструмента, суміщаючи пази у щитку з отворами у верстаті.
2. Вставте болти-баранці **39** (з сумки для приладдя) в отвори, розташовані спереду станини.

Система змащування (рис. А, Е)

Наповнювання пляшки з охолоджувальною рідиною



УВАГА! Не заливайте змащувально-охолоджувальну рідину в пляшку, коли вона закріплена на

кронштейні. Не допускайте потрапляння змащувально-охолоджувальної рідини в двигун дрели. Це може призвести до ураження електричним струмом.



УВАГА! Не допускайте потрапляння змащувально-охолоджувальної рідини у батарейний відсік або контакту з акумулятором.

ПРИМІТКА. У разі контакту акумулятора зі змащувально-охолоджувальною рідиною негайно витріть її. Змащувально-охолоджувальна рідина, яка використовується із цим дрилем, може пошкоджувати корпуси деяких акумуляторів. Настійно рекомендується використовувати акумуляторні батареї з маслостійким корпусом (із склонаповненого нейлону, позначеного суфіксом G у номері моделі).

ПРИМІТКА. Система змащення призначена для дозування змащувально-охолоджувальних рідин, спеціально призначених для свердління. Інші рідини можуть пошкодити систему.

1. Поверніть регулятор витрати **17** проти годинникової стрілки, щоб закрити.
2. Вийміть пляшку для охолоджувальної рідини **14** із магнітного кронштейна **13**.
3. Відкрутіть ковпачок **18**.
4. Наповніть ємність охолоджувальною рідиною, розведеною водою.
5. Знову закрутіть ковпачок.
6. Вставте пляшку з охолоджувальною рідиною в магнітний кронштейн **13**.

Встановлення системи змащення (рис. А, Е)



УВАГА! Не використовуйте систему змащення під час свердління на вертикальних поверхнях чи над головою.

Використовуйте систему змащення лише для горизонтального свердління, як показано на рис. А.

1. Вставте пляшку з охолоджувальною рідиною **14** у кронштейн для магнітної пляшки **13** та посуньте його по обидва боки до точки кріплення магнітної пляшки **21**.
2. Приєднайте трубку для охолоджувальної рідини **15** до з'єднувача **16** на редукторі.
 - a. Спочатку відкрутіть гайку **19** гайковим ключем і надягніть її на кінець трубки для охолоджувальної рідини **15**.
 - b. Спершу надягніть трубку для охолоджувальної рідини на з'єднувач **16**, а потім гайковим ключем затягніть гайку.
 - c. Щоб зняти, відгвинтіть гайку та від'єднайте трубку для охолоджувальної рідини від з'єднувача.
Примітка. Після зняття трубки затягніть гайку на з'єднувачі, щоб не загубити її.

Щоб користуватися системою змащення, пляшку для охолоджувальної рідини **14** слід наповнювати достатньою кількістю змащувально-охолоджувальної рідини.

Змашення при горизонтальному застосуванні (рис. А, Е)

1. У разі потреби відрегулюйте потік рідини за допомогою регулятора витрати **17**.
2. Додайте більше змашувально-охолоджувальної рідини, якщо стружка посинішає.

Змашення при застосуванні у вертикальному положенні або в положенні над головою

Занурте фрезу у пасту для різання або нанесіть відповідний спрей.

Встановлення запобіжного ланцюга (рис. G)



УВАГА! Завжди використовуйте запобіжний ланцюг.



УВАГА! Ніколи не закріплюйте запобіжний ланцюг через ручку для перенесення.

Продягніть запобіжний ланцюг **26** через отвір для запобіжного ланцюга пристрою **28** навколо заготовки і закріпіть на місці.

Встановлення та зняття приладдя (рис. F)

Інструментотримач підтримує кільцеві фрези з хвостовиком Weldon 19 мм із двома лисками.



ОБЕРЕЖНО! Небезпека розриву. Зуби фрези гострі.

1. Вставте напрямний штифт **42** в отвір у центрі хвостовика фрези.
2. Віджімте 19 мм швидкозмінний патрон Weldon **11**.
3. Вставте фрезу **43** з напрямним штифтом і поверніть, доки лиска не зустрінеться зі стопорним штифтом. Коли лиска збігається зі стопорним штифтом, муфта опускається.
4. Перевірте, чи надійно закріплена фреза в оправці.
5. Підніміть 19 мм швидкозмінний патрон Weldon, щоб витягнути фрезу.

Трикулачковий патрон (рис. F)

З-кулачковий патрон **11** можна встановлювати на дріль під різні розміри свердла. Інструкції з монтажу див. у розділі

Встановлення та зняття приладдя

1. Вставте ключ **27** в кожен з трьох отворів і затягніть патрон, повертаючи ключ за годинниковою стрілкою. Дуже важливо, щоб патрон був затягнутий через всі три отвори, щоб запобігти проковзуванню.
2. Щоб витягнути свердло, поверніть ключ проти годинникової стрілки через один отвір, а потім відпустіть патрон вручну.

ПРИМІТКА. Коли патрон встановлений, може знадобитися відрегулювати положення двигуна. Інструкції див. у розділі «Регулювання висоти двигуна».

Додаткову інформацію про відповідні приладдя див. у розділі **Приладдя**.

Важіль увімкнення магніту (рис. M)

Силу магнітного поля можна перемикає за допомогою важеля увімкнення магніту **2**.

Переміщення важеля в середнє положення збільшує підймальну силу магніту до 15%. Це функція, яка допомагає користувачеві закріпити пристрій на місці.

Переміщення важеля в ліве положення збільшує підймальну силу магніту до 100%.

Коли важіль увімкнення магніту зміщений праворуч, живлення магніту вимикається. При переміщенні рукоятки зліва направо муфту **37** на рукоятці необхідно підняти так, щоб вона вийшла з положення увімкнення на 100% або 15%. Примітка. Пристрій не ввімкнеться, доки важіль увімкнення магніту не перебуватиме в лівому положенні на 100%.

Перемикач передач (рис. J)



ОБЕРЕЖНО! Не змінюйте швидкість під час роботи двигуна.

Верстат оснащено перемикачем двох передач для зміни співвідношення «швидкість/крутильний момент».

1. Натисніть кнопку перемикачя передач **32** і поверніть диск перемикачя передач **5** в потрібний режим.
2. НИЗЬКА ШВИДКІСТЬ І ВИСОКИЙ КРУТИЛЬНИЙ МОМЕНТ: Поверніть перемикач передач вліво, щоб вибрати низьку швидкість і високий крутильний момент.
ВИСОКА ШВИДКІСТЬ І НИЗЬКИЙ КРУТИЛЬНИЙ МОМЕНТ: Поверніть перемикач передач вправо, щоб вибрати високу швидкість і низький крутильний момент.

	1	2	3	4	5
	250	370	500	660	810
	130	190	260	340	420

Вибір швидкості (рис. A)

Для підвищення універсальності інструмент має п'ять параметрів швидкості.

1. Щоб вибрати вищу швидкість обертання, встановіть перемикач швидкостей **4** на більше число обертів.
2. Щоб вибрати нижчу швидкість обертання, встановіть перемикач швидкостей на менше число обертів.

Якщо швидкість інструменту не змінилася, перевірте, чи ви до кінця пересунули кнопку перемикача швидкостей вперед або назад.

Див. таблицю **Швидкість (об/хв.) та параметри дрилі** в кінці цього розділу для отримання рекомендацій щодо швидкості та розміру фрези.

Кнопка реверсу вперед/назад (рис. K)

Важіль реверсу **3** визначає напрям обертання свердла.

ПРИМІТКА. Реверсна функція цього інструменту використовується для нарізання отворів для гвинтів. Швидкість заднього ходу становитиме 350 об/хв. на

низькій передачі та 680 об/хв. на високій, незалежно від змінної швидкості.

Щоб обрати обертання вперед, відпустіть перемикач увімкнення/вимкнення **1** і переведіть важіль реверсу в напрямку до значка вперед **40**.

Щоб обрати обертання назад, переведіть важіль реверсу в напрямку значка назад **41**.


Регулювання висоти двигуна (рис. Н)


Висоту двигуна можна регулювати, щоб задовольнити потребу в більшому чи меншому зазорі свердла над заготовкою.

1. Послабте важіль переміщення двигуна **12**.
2. Перемістіть двигун на потрібну висоту.
3. Міцно затягніть важіль переміщення двигуна, щоб зафіксувати двигун у потрібному положенні.
Примітка. Уздовж станини є три установчі гвинти **38**, які можна затягнути або послабити, щоб відрегулювати, наскільки легко має переміщуватися корпус двигуна за допомогою ручки подачі **6**.

РЕЖИМ РОБОТИ

Інструкції з використання

 **ПОПЕРЕДЖЕННЯ:** *Завжди дотримуйтесь усіх інструкцій з техніки безпеки та відповідних норм.*


 **ПОПЕРЕДЖЕННЯ:** *Щоб знизити ризик серйозних тілесних ушкоджень, вимкніть інструмент та відключіть акумулятор перед виконанням будь-яких налаштувань або зніманням/встановленням додаткового обладнання або приладдя. Випадковий запуск може призвести до травм.*


Ручка для перенесення (рис. І)

Ця ручка для перенесення має дві функції:

- Перенесення інструмента у вертикальному положенні.
- Захист акумулятора від падіння у складеному положенні під час використання інструмента у перевернутому положенні.

Встановлення та виймання акумуляторів (рис. В)

 **УВАГА!** *Перед установкою батарей переконайтеся, що інструмент/прилад знаходиться у положенні вимкнення.*

 **УВАГА!** *Зберігайте змащувально-охолоджувальну рідину подалі від акумулятора. Контакт з нею може призвести до виникнення тріщин в корпусі акумулятора. У разі контакту акумулятора зі змащувально-охолоджувальною рідиною негайно почистіть його.*

ПРИМІТКА. Настійно рекомендується використовувати акумуляторні батареї з маслостійким корпусом (із склонаповненого нейлону, позначеного суфіксом G у номері моделі). Для забезпечення найкращих результатів,

перед використанням слід переконавшись, що акумулятор повністю заряджений.

Щоб встановити акумулятор **29** у батарейний відсік **31**, натисніть і утримуйте кнопку розблокування ручки для перенесення **8** і перемістіть ручку для перенесення **22** у вертикальне положення. Вирівняйте акумулятор по напрямних у батарейному відсіку та просуньте його до щільного закріплення в інструменті. Переконайтесь, що він не від'єднаний.

Щоб вийняти акумулятор з інструменту, натисніть і утримуйте кнопку розблокування ручки для перенесення **8** і перемістіть ручку для перенесення **22** у вертикальне положення. Натисніть кнопку розблокування **30** та витягніть акумулятор з відсіку. Вставте акумулятор у зарядний пристрій, як описано у розділі щодо зарядного пристрою цього керівництва.

ПРИМІТКА. Якщо акумулятор усе ще важко вийняти, коли ручка для перенесення знаходиться у вертикальному положенні, натисніть і утримуйте кнопку розблокування ручки для перенесення, посуваючи ручку для перенесення трохи далі до передньої частини інструмента, щоб звільнити місце для виймання акумулятора.


Акумулятори з індикатором рівня заряду (рис. В)

Деякі акумулятори DEWALT оснащені індикатором заряду з трьох зелених світлодіодів, що вказують рівень заряду акумулятора, що залишився.

Щоб увімкнути індикатор заряду, натисніть та утримуйте кнопку індикатору заряду **45**. Три зелені світлодіоди будуть горіти відповідним чином, відображаючи рівень зарядки акумулятора. Коли рівень заряду акумулятора нижче відповідного ліміту, індикатор рівня заряду не горить, а акумулятор потрібно зарядити.

ПРИМІТКА. Індикатор рівня заряду показує лише рівень заряду, що залишився в акумуляторі. Він не показує функціональність інструмента, а його показники можуть змінюватись відповідно до комплектності інструмента, температури та способу застосування.

Перед експлуатацією


 **УВАГА!** *Перевіряйте ланцюг перед кожним використанням на предмет зносу або пошкоджень. Замініть за потреби.*

Зробіть кілька простих виробів, використовуючи обрізки матеріалу, щоб відчувати, як працює машина.

Увімкнення та вимкнення (рис. А)

Щоб верстат працював належним чином, його потрібно перемикнути, дотримуючись описаної нижче процедури.

Увімкнення та вимкнення живлення

 **УВАГА!** *У вертикальному або перевернутому положенні інструмент падає і з заготовки, якщо важіль увімкнення магніту НЕ перебуватиме у 100% положенні.*

Натисніть перемикач живлення ❶ вгору (I), щоб увімкнути інструмент.
Примітка. Інструмент не працюватиме, якщо магніт не увімкнений на 100%. Загориться помаранчевий індикатор, що вказує на повне увімкнення магніту.
Натисніть перемикач вниз (O), щоб вимкнути інструмент.

Система E-Clutch® та індикатор низького заряду батареї (рис. А)

Модель DCD1623 оснащена системою DeWALT E-Clutch®. Дана функція реагує на хід інструменту, виключаючи при необхідності цей інструмент. Індикатор E-Clutch® 24 світитиметься червоним для індикації стану.

Індикатор стану роботи на передній частині магнітної основи 20 блиматиме, попереджуючи користувача про низький заряд батареї.

ІНДИКАТОР	ДІАГНОСТИКА	РІШЕННЯ
НЕ ГОРИТЬ	Інструмент функціонує нормально	При експлуатації інструменту дотримуйтесь усіх попереджень та інструкцій.
ЧЕРВОНИЙ ГОРИТЬ ПОСТІЙНО	Система E-Clutch® активована (ЗАДІЯНА)	Забезпечивши відповідну підтримку інструменту, відпустіть тригер. Інструмент продовжуватиме працювати нормально після повторної активації тригера, а індикатор гасне.
ПОМАРАНЧЕВИЙ ГОРИТЬ ПОСТІЙНО	Важіль увімкнення магніту не встановлено у положення 100% з увімкненим живленням.	Перемістіть важіль увімкнення магніту в положення 100%.
БЛИЙ БЛИМАЄ	Низький заряд батареї	Припиніть використання інструмента та встановіть повністю заряджену батарею.

Свердління за допомогою кільцевих фрез

- Кільцеві фрези зрізують матеріал лише по окружності отвору, а не перетворюють весь отвір на стружку. В результаті енергія, необхідна для створення отвору, нижча, ніж для спірального свердла.
- Під час свердління кільцевою фрезою не потрібно свердлити напрямний отвір.



ОБЕРЕЖНО! Не торкайтесь фрези і деталей біля неї відразу після роботи, тому що вони можуть бути дуже гарячими, що може призвести до опіків шкіри. Переконайтеся, що в робочій зоні, з якої виштовхується металеве осердя, немає нікого.

Умови свердління

Легкість, з якою матеріал можна свердлити, залежить від кількох факторів, включаючи міцність на розрив і стійкість до стирання. Твердість та/або міцність є звичайним критерієм, але серед матеріалів з аналогічними фізичними властивостями можуть існувати великі відмінності у здатності

до обробки. Умови свердління залежать від вимог до терміну служби інструменту та чистоти обробки поверхні. Ці умови додатково обмежуються жорсткістю інструменту та заготовки, наявним мастилом та потужністю верстата. Чим твердіший матеріал, тим нижча швидкість різання. Деякі матеріали з низькою твердістю містять абразивні речовини, що призводять до швидкого зношування ріжучої кромки на високих швидкостях. Швидкість подачі залежить від жорсткості установки, об'єму матеріалу, що знімається, чистоти обробки поверхні і наявної потужності верстата.

Свердління отвору (рис. А)

- Завжди наносьте відповідну змащувально-охолоджувальну рідину на область різання.
- Опустіть щиток для захисту 25 так, щоб він закривав поверхню, яку потрібно свердлити.
- Переконайтеся, що вістря свердла або пілот фрези правильно встановлені над місцем, яке потрібно свердлити.
- Натисніть перемикач живлення ❶ вгору (I), щоб увімкнути інструмент.
- Повільно введіть приладдя у заготовку за допомогою ручки подачі 6.
- Починайте різання з легким натиском, щоб приладдя могло виконати початкову канавку.
- Просувайтеся з достатнім зусиллям, щоб досягти плавного поступового зрізу. Не прикладайте силу.
- Будьте особливо уважні, коли приладдя збирається виконати розріз, щоб запобігти розщепленню.
- Завжди вимикайте двигун, магніт і живлення в певному порядку після завершення роботи та перед вийманням акумулятора.

ТЕХНІЧНЕ ОБСЛУГОВУВАННЯ

Ваш електричний інструмент призначений для роботи протягом довгого часу з мінімальним обслуговуванням. Довга задовільна робота приладу залежить від належного обслуговування приладу та регулярного його очищення.



ПОПЕРЕДЖЕННЯ: Щоб знизити ризик серйозних тілесних ушкоджень, вимкніть інструмент та відключіть акумулятор перед виконанням будь-яких налаштувань або змінням/встановленням додаткового обладнання або приладдя. Випадковий запуск може призвести до травм.

Зарядний пристрій та акумулятор не підлягають обслуговуванню.



Змащування

Ваш електричний інструмент не вимагає додаткового змащування.

Чіп Tool Connect™ (рис. L)**Допоміжне приладдя**

УВАГА! Для зниження ризику отримання серйозної травми вимкніть інструмент та зніміть акумулятор перед виконанням будь-яких регулювань або демонтажу/встановлення приладдя або насадок. Випадковий запуск може призвести до травм.

Ваш інструмент підготовлений до чіпа Tool Connect™ і має місце для встановлення чіпа Tool Connect™.

Чіп Tool Connect™ ① – це необов'язковий додаток для вашого мобільного пристрою (наприклад, смартфона чи планшета), що підключає пристрій до вашого інструмента, дозволяючи вам використовувати мобільний додаток для функцій управління запасами.

Див. **інструкцію з використання чіпа Tool Connect™** для отримання додаткової інформації.

Встановлення чіпа Tool Connect™

1. Вийміть стопорні гвинти **34**, які закріплюють захисну кришку чіпа Tool Connect™ **36** на інструменті.
2. Зніміть захисну кришку та вставте чіп Tool Connect™ у порожню кишеню **35**.
3. Переконайтеся, що чіп Tool Connect™ знаходиться врівень з корпусом. Закріпіть його стопорними гвинтами і затягніть гвинти.
4. Додаткові інструкції див. у розділі «Інструкції з використання чіпа Tool Connect™».

Очищення

УВАГА! Видавайте бруд і пил з усіх вентиляційних отворів чистим сухим повітрям не рідше одного разу в тиждень. Щоб мінімізувати ризик отримання травм очей, при виконанні цієї операції завжди використовуйте засоби захисту очей, сертифіковані за стандартом ANSI Z87.1.



УВАГА! Ніколи не використовуйте розчинники та інші агресивні хімічні засоби для очищення неметалевих деталей інструмента. Такі хімічні речовини можуть нанести шкоду пластмасовим матеріалам, що використовуються для цих деталей. Використовуйте вологу тканину, змочену лише водою з м'яким милом. Не дозволяйте рідині потрапляти всередину інструмента та ніколи не занурюйте деталі інструмента в рідину.

Додаткові аксесуари

ПОПЕРЕДЖЕННЯ: Оскільки інше приладдя, що не зазначене виробником DEWALT, не перевірялося з цим пристроєм, його використання з інструментом може бути небезпечним. Необхідно використовувати лише рекомендовані DEWALT приладдя з цим пристроєм, щоб знизити ризик отримання травми.

Зверніться до свого дилера для отримання подальшої інформації щодо відповідного приладдя.

Захист навколишнього середовища

Роздільний збір. Пристрої і акумулятори позначені цим символом, не можна викидати зі звичайним побутовим сміттям.



Пристрої і акумулятори містять матеріали, які можна відновити та переробити, що зменшить потребу у сировині. Утилізуйте електротехнічну продукцію і акумулятори відповідно до місцевих положень.

Більш детальну інформацію можна отримати на сайті www.2helpU.com.

Придатність акумулятора для перезарядки

Дана модель акумулятора підлягає перезарядці у випадку зниження його потужності при виконанні завдань, що попередньо не вимагали особливих зусиль. Наприкінці терміну служби акумулятора утилізуйте його у спосіб, безпечний для навколишнього середовища.

- Повністю розрядіть акумулятор, потім витягніть його з інструменту.
- Літій-іонні акумулятори можна повторно переробляти. Відправте їх до свого дилера або на місцеву переробну станцію. Там зібрані акумулятори будуть перероблені або знищені належним чином.



Виробник:
"Stanley Black & Decker Deutschland GmbH"
Black-&-Decker Str.40, D-65510
Idstein, Німеччина

060

Швидкість (об/хв) та параметри дреля (з акумулятором ємністю 9 А-год)

Розмір фрези	М'яка сталь	Листова сталь
14 мм–16 мм	600–1000 об/хв	800–1200 об/хв
	Висока передача, швидкість 4–5	Висока передача, швидкість 5
16 мм–21 мм	480–800 об/хв	640–960 об/хв
	Висока передача, швидкість 3–5	Висока передача, швидкість 4–5
21 мм–25 мм	400–660 об/хв.	530–800 об/хв.
	Висока передача, швидкість 3–4	Висока передача, швидкість 3–5
25 мм–30 мм	320–530 об/хв.	420–640 об/хв.
	Низька передача, швидкість 4–5	Висока передача, швидкість 3–4
30 мм–35 мм	270–460 об/хв.	360–550 об/хв.
	Низька передача, швидкість 4–5	Низька передача, швидкість 4–5
35 мм–40 мм	230–400 об/хв.	320–480 об/хв.
	Низька передача, швидкість 3–4	Низька передача, швидкість 4–5
40 мм–45 мм	210–320 об/хв.	280–420 об/хв.
	Низька передача, швидкість 3–4	Низька передача, швидкість 3–5
45 мм–50 мм	190–320 об/хв.	260–380 об/хв.
	Низька передача, швидкість 2–3	Низька передача, швидкість 3–4
Для діаметра 38 мм або товщини більше 25 мм і вище використовуйте акумулятор ємністю 9 А-год.		

DEWALT

ГАРАНТІЙНИЙ ТАЛОН

**3 РОКИ
ГАРАНТІЇ**

1. Вітаємо Вас з покупкою високоякісного виробу DEWALT і висловлюємо вдячність за Ваш вибір.
2. При покупці виробу вимагайте перевірки його комплектності і справності у Вашій присутності, інструкцію з експлуатації та заповнений гарантійний талон українською мовою. В гарантійному талоні повинні бути внесені: модель, дата продажу, серійний номер, дата виробництва інструменту, назва, печатка і підпис торгової організації. За відсутності у Вас правильно заповненого гарантійного талону, а також при невідповідності зазначених у ньому даних ми будемо змушені відхилити Ваші претензії щодо якості даного виробу.
3. Щоб уникнути непорозумінь, переконливо просимо Вас перед початком роботи з виробом уважно ознайомитися з інструкцією з його експлуатації. Правовою основою справних гарантійних умов є чинне Законодавство. Гарантійний термін на даний виріб складає 36 місяці і обчислюється з дня продажу. У разі усунення недоліків виробу, гарантійний строк продовжується на період його перебування в ремонті. Термін служби виробу становить 5 років з дня продажу.
4. У разі виникнення будь-яких проблем у процесі експлуатації виробу рекомендуємо Вам звертатися тільки в уповноважені сервісні центри DEWALT, адреси та телефони яких Ви зможете знайти в гарантійному талоні, на сайті www.2helpU.com або дізнатися в магазині. Наші сервісні станції - це не тільки кваліфікований ремонт, але і широкий асортимент запчастин і аксесуарів.
5. Виробник рекомендує проводити періодичну перевірку і технічне обслуговування виробу в уповноважених сервісних центрах.
6. Наші гарантійні зобов'язання поширюються тільки на несправності, виявлені протягом гарантійного терміну і викликані дефектами виробництва та \ або матеріалів.
7. Гарантійні умови не поширюються на несправності виробу, що виникли в результаті:
 - 7.1. Недотримання користувачем приписів інструкції з експлуатації виробу, застосування виробу не за призначенням, неправильного зберігання, використання приладдя, витратних матеріалів і запчастин, що не передбачені виробником.
 - 7.2. Механічного пошкодження (відколи, тріщини і руйнування) внутрішніх і зовнішніх деталей виробу, основних і допоміжних рукояток, мережевого кабелю, що викликані зовнішнім ударним або будь-яким іншим впливом
 - 7.3. Потраплення у вентиляційні отвори та проникнення всередину виробу сторонніх предметів, матеріалів або речовин, що не є відходами, які супроводжують застосування виробу за призначенням, такими як: стружка, тирса, пісок, тін.
 - 7.4. Впливу на виріб несприятливих атмосферних і інших зовнішніх факторів, таких як дощ, сніг, підвищена вологість, нагрівання, агресивне середовище, невідповідність параметрів електромережі, що зазначені на інструменті.
 - 7.5. Стихійного лиха. Пошкодження або втрати виробу, що пов'язані з непереборними лихами, стихійними явищами, у тому числі внаслідок дії непереборної сили (пожежа, блискавка, потоп і інші природні явища), а також внаслідок перепадів напруги в електромережі та іншими причинами, які знаходяться поза контролем виробника.
8. Гарантійні умови не поширюються:
 - 8.1. На інструменти, що піддавалися розкриттю, ремонту або модифікації поза уповноваженим сервісним центром.
 - 8.2. На деталі, вузли та матеріали, що мають сліди природного зносу, такі як: приводні ремені і колеса, вугільні щітки, мастило, підшипники, зубчасті зчеплення редукторів, гумові ущільнення, сальники, направляючі ролики, муфти, вимикачі, бойки, штовхачі, столи тощо.
 - 8.3. На змінні частини: патрони, цанги, затискні гайки і фланці, фільтри, ножі, шліфувальні підшви, ланцюги, зірочки, пильні шини, захисні кожухи, пилки, абразиви, пильні і абразивні диски, фрези, свердла, бури тощо
 - 8.4. На несправності, що виникли в результаті перевантаження інструменту (як механічного, так і електричного), що спричинили вихід з ладу одночасно двох і більше деталей і вузлів, таких як: ротора і статора, обох обмоток статора, веденої і ведучої шестерень редуктора або інших вузлів і деталей. До безумовних ознак перевантаження виробу відносяться, крім інших: поява кольорів мінливості, деформація або оплвлення деталей і вузлів виробу, потемніння або обуглювання ізоляції проводів електродвигуна під впливом високої температури.

Товар отриманий в справному стані, без видимих ушкоджень, в повній комплектації, перевірений у моїй присутності, претензій щодо якості товару не маю. З умовами гарантійного обслуговування ознайомлений і згоден.

П. І. Б. та підпис власника _____

Шановні клієнти, наша мережа авторизованих сервісних центрів постійно розширюється. Актуальну інформацію про обслуговування в місті, що цікавить вас, ви можете дізнатися на сайті

www.2helpU.com

Інформація про інструмент

Найменування інструменту	
Модель	
Найменування продавця	
Дата продажу	

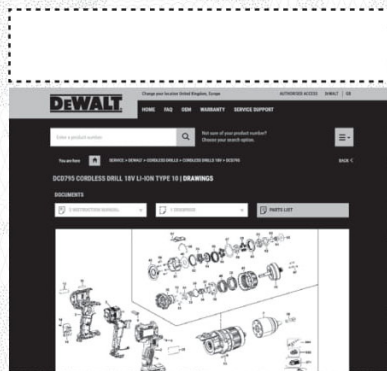
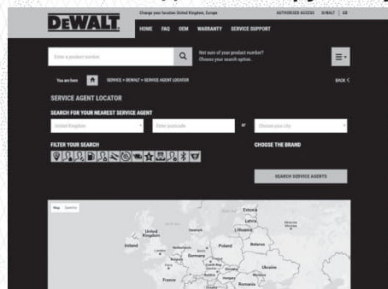
М.П.
Продавця

Серійний номер/Дата виробництва

Інструмент	
Зарядний пристрій	
Акумулятор 1	
Акумулятор 2	

На сайті www.2helpU.com доступні наступні функції:

- Список авторизованих сервісних центрів
- Зручний пошук найближчого сервісного центру
- Керівництво з експлуатації
- Технічні характеристики
- Список деталей і запасних частин
- Схема складання інструменту



**Також дану інформацію ви можете отримати, зателефонувавши за номером:
0 (800) 211 521 в Україні**

ВІДМІТКА ПРО ПРОВЕДЕННЯ СЕРВІСНОГО ОБСЛУГОВУВАННЯ

№1	№2	№3	№4
№ замовлення	№ замовлення	№ замовлення	№ замовлення
Дата прийому	Дата прийому	Дата прийому	Дата прийому
Дата ремонту	Дата ремонту	Дата ремонту	Дата ремонту
Печатка і підпис сервісного центру	Печатка і підпис сервісного центру	Печатка і підпис сервісного центру	Печатка і підпис сервісного центру

